

# INSTALLING INSTRUCTIONS

For:

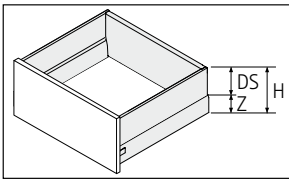


## ArciTech DesignSide Connectors - 186mm

### Contents:

- Installation Instructions 2
- Installation Instructions 3
- Installation Instructions 4
- Installation Instructions 5

## Installation Instructions

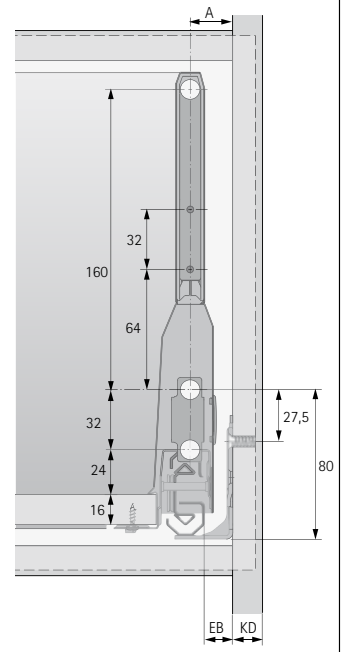
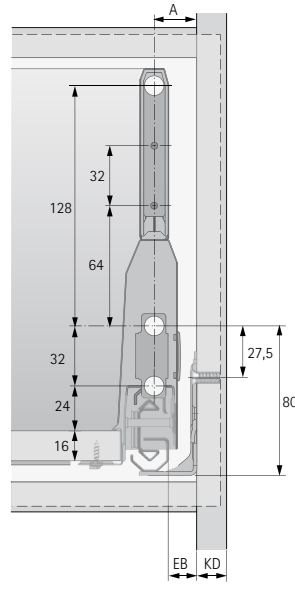
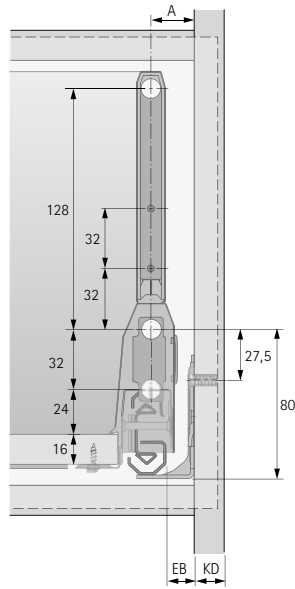
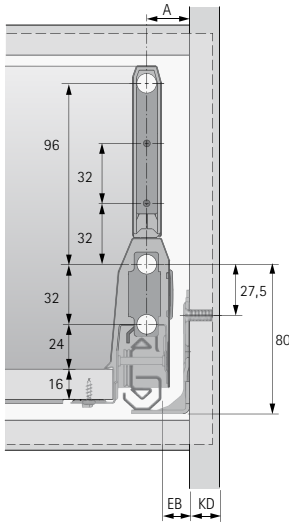


H 186 mm  
Z 94 mm  
DS 92 mm

H 218 mm  
Z 94 mm  
DS 124 mm

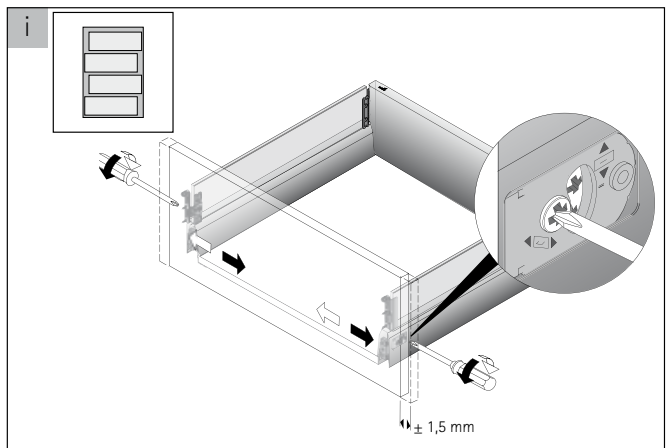
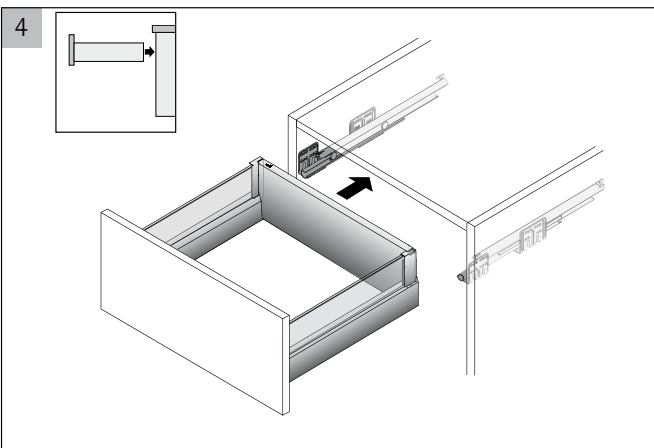
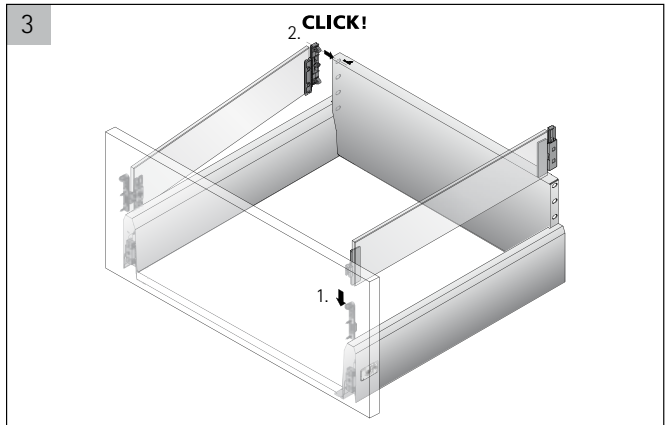
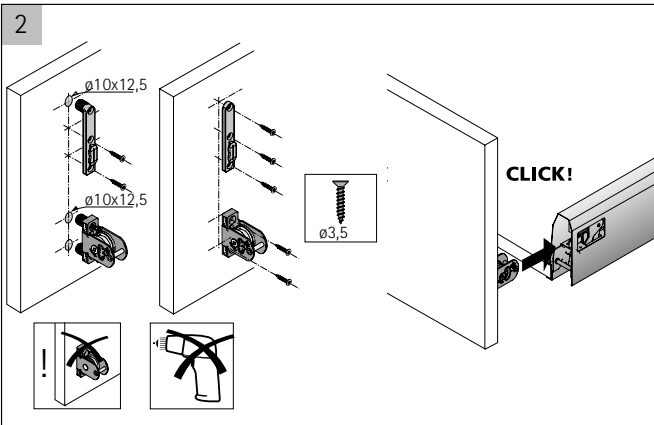
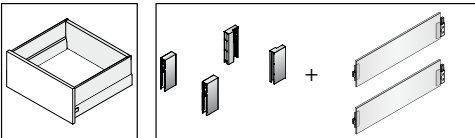
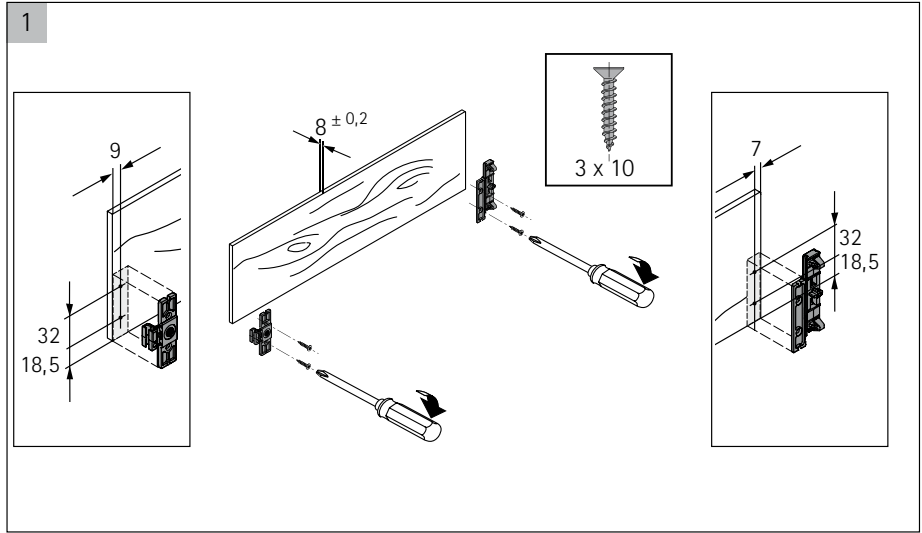
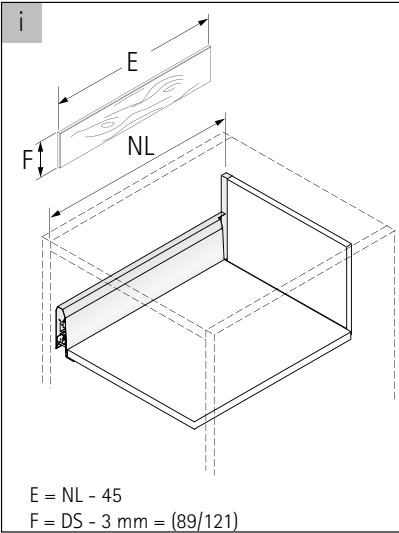
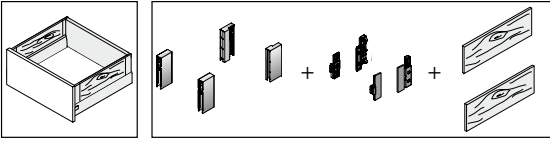
H 218 mm  
Z 126 mm  
DS 92 mm

H 250 mm  
Z 126 mm  
DS 124 mm

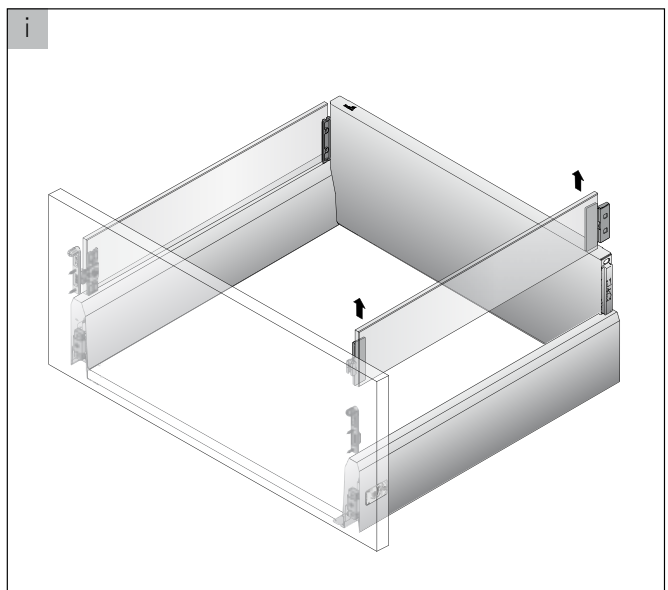
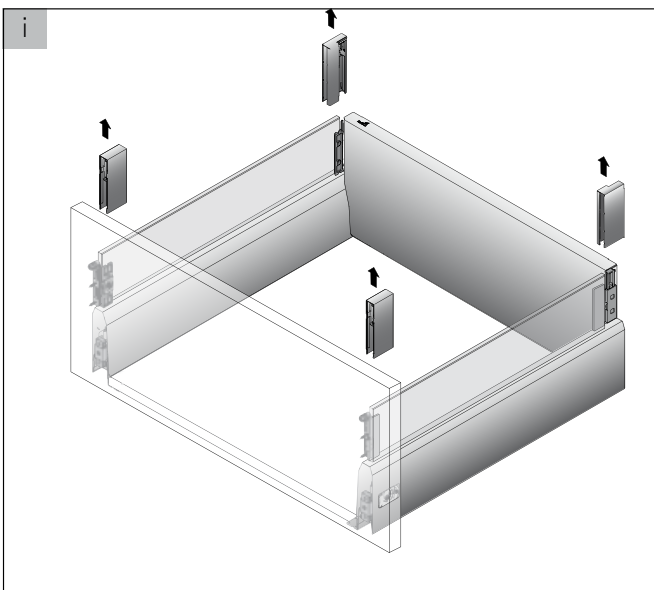
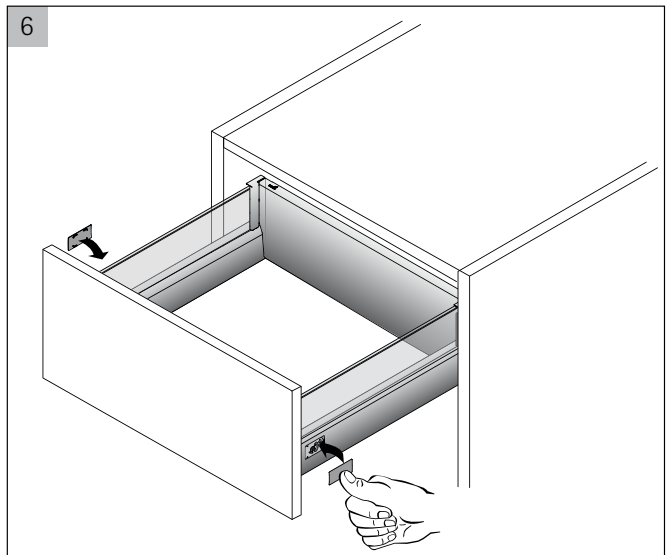
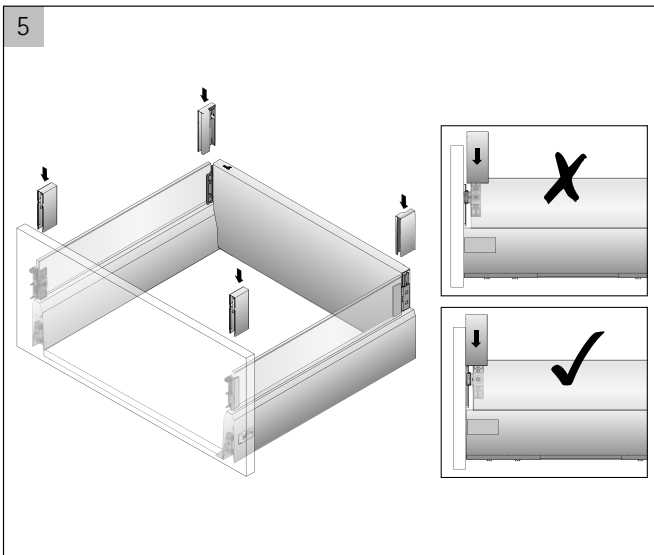
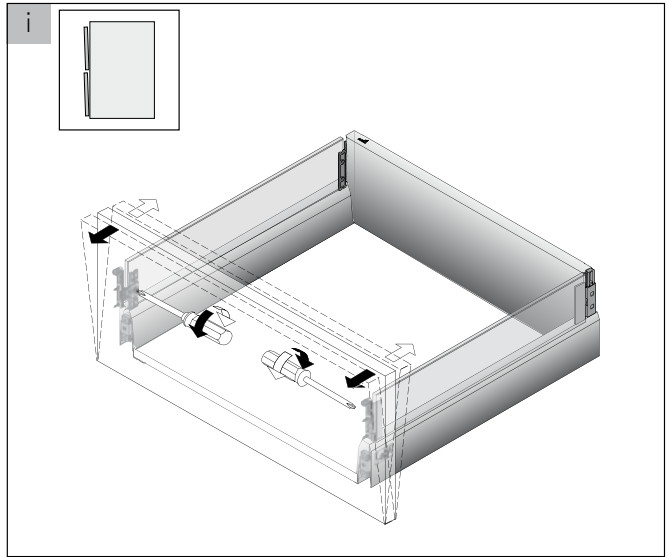
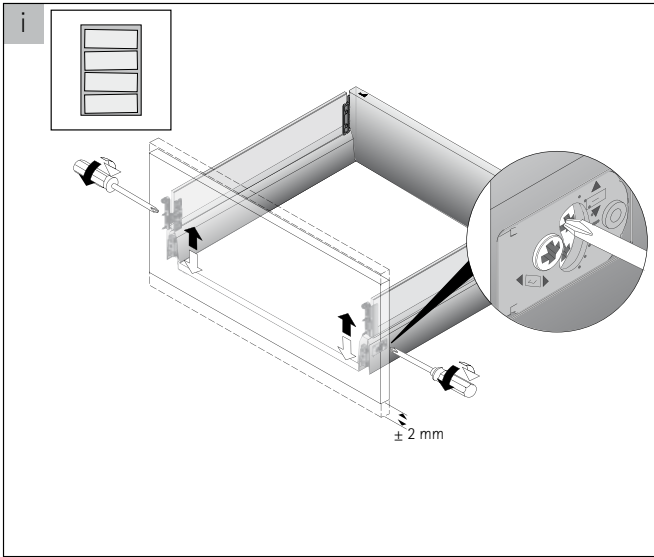


|       |    |    |    |    |
|-------|----|----|----|----|
| KD mm | 15 | 16 | 18 | 19 |
| EB mm | 16 | 15 | 13 | 12 |
| A mm  | 24 | 23 | 21 | 20 |

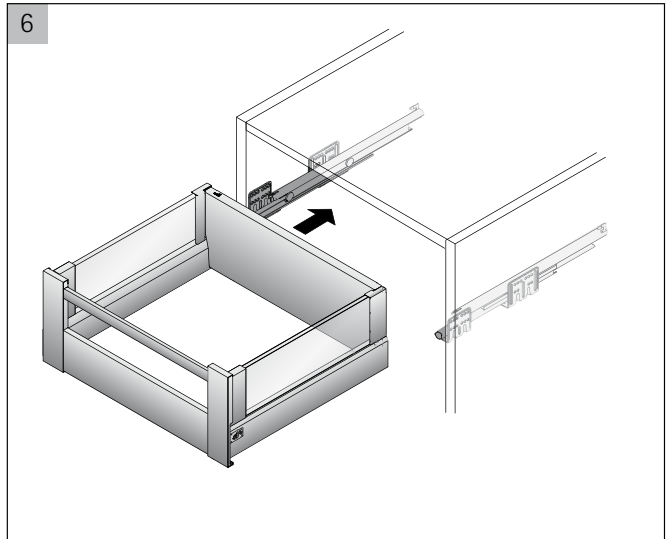
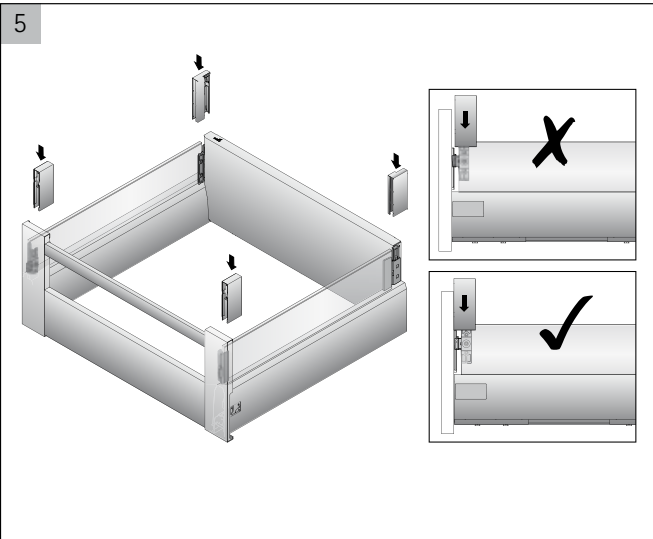
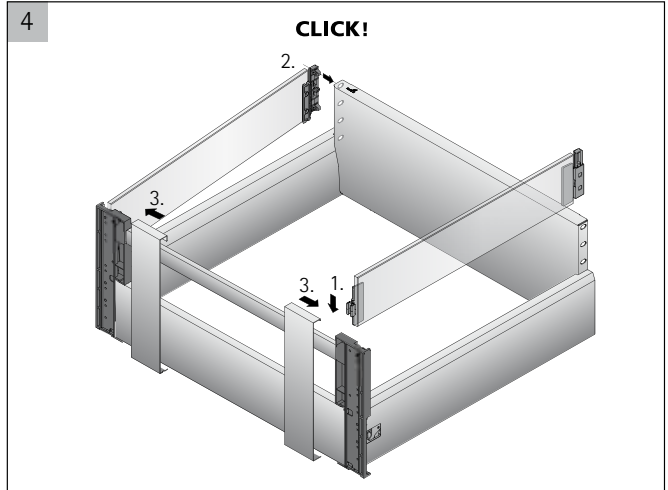
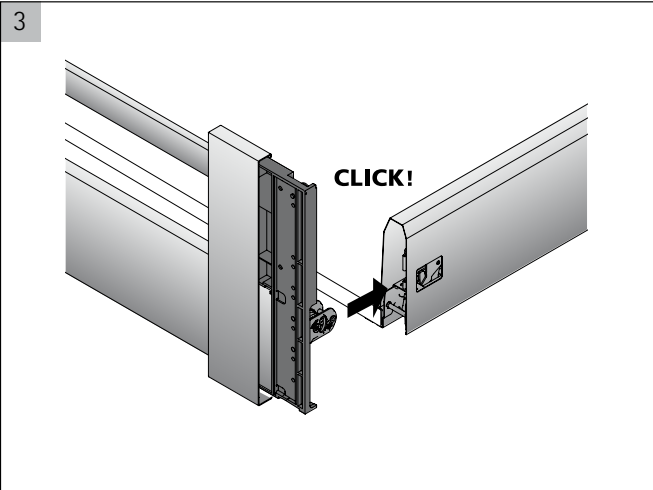
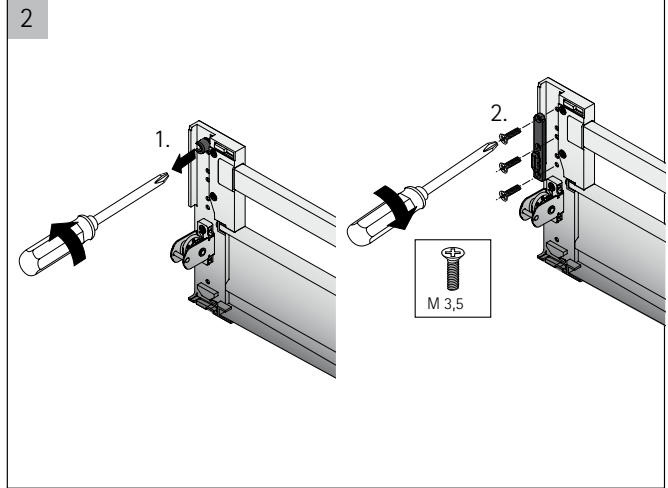
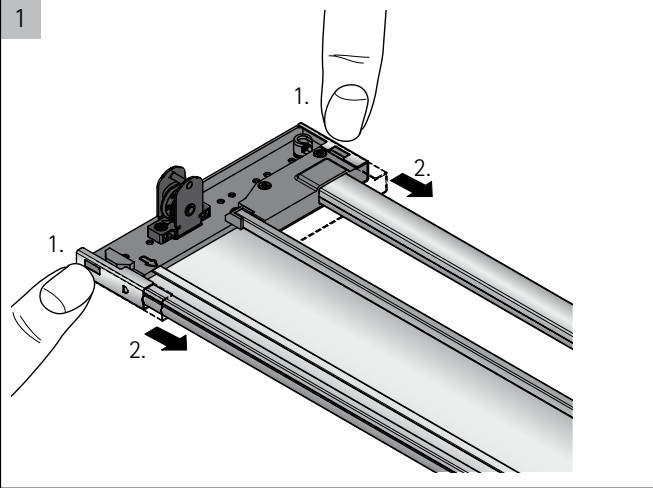
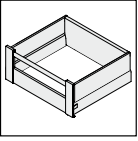
## Installation Instructions



## Installation Instructions



## Installation Instructions





MACHINERY - MATERIALS - COMPONENTS - ADHESIVES - FOILS - PANELS - DOORS

**NEY Ltd (Head Office)**

Stonebridge Trading Estate  
Sibree Road  
Coventry  
CV3 4FD

**t** 024 7630 8100  
**f** 024 7630 8101  
**e** sales@ney.co.uk

**NEY Ireland**

Unit 22 Blaris Ind Estate  
Altona Road  
Lisburn  
BT27 5QB

**t** 028 92 673 000  
**f** 028 92 672 999  
**e** ireland@ney.co.uk

**NEY Scotland**

Block 2 Units 1-2-3  
Bandeath Ind Est  
Throsk, Stirling  
FK7 7NP

**t** 01786 814 814  
**f** 01786 814 812  
**e** scotland@ney.co.uk