

# ASSEMBLY INFORMATION

## for the

The logo for 'eco', consisting of the lowercase letters 'eco' in white on a pink rectangular background.

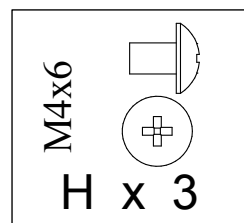
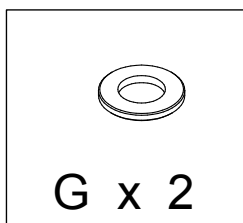
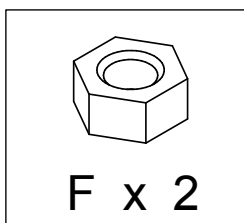
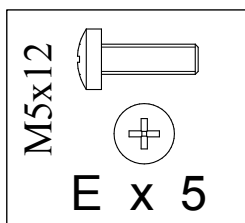
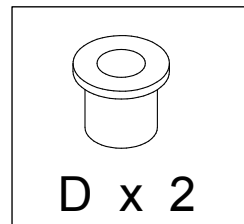
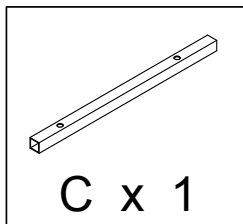
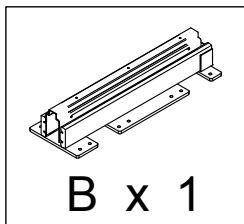
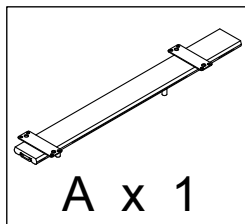
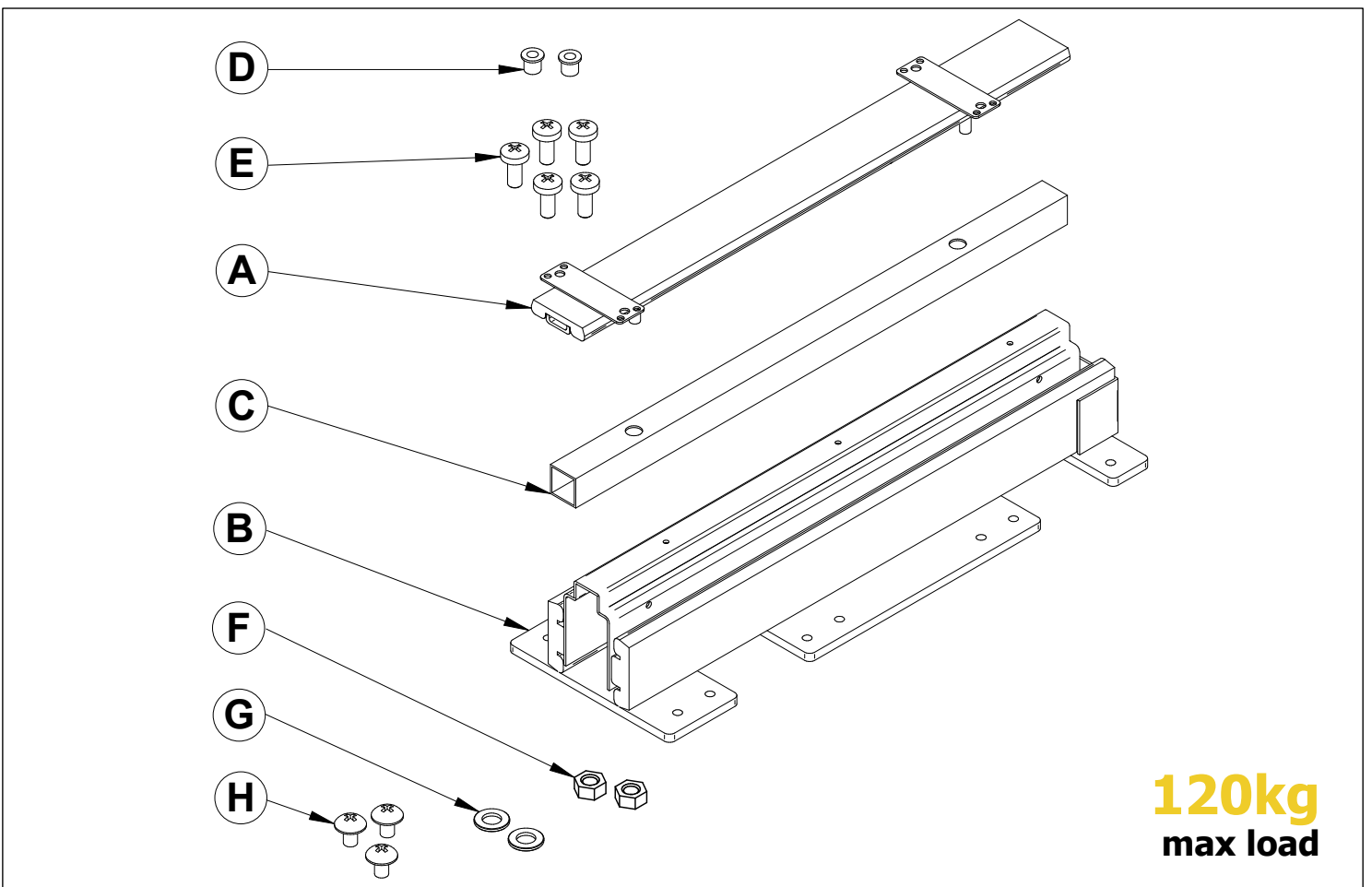
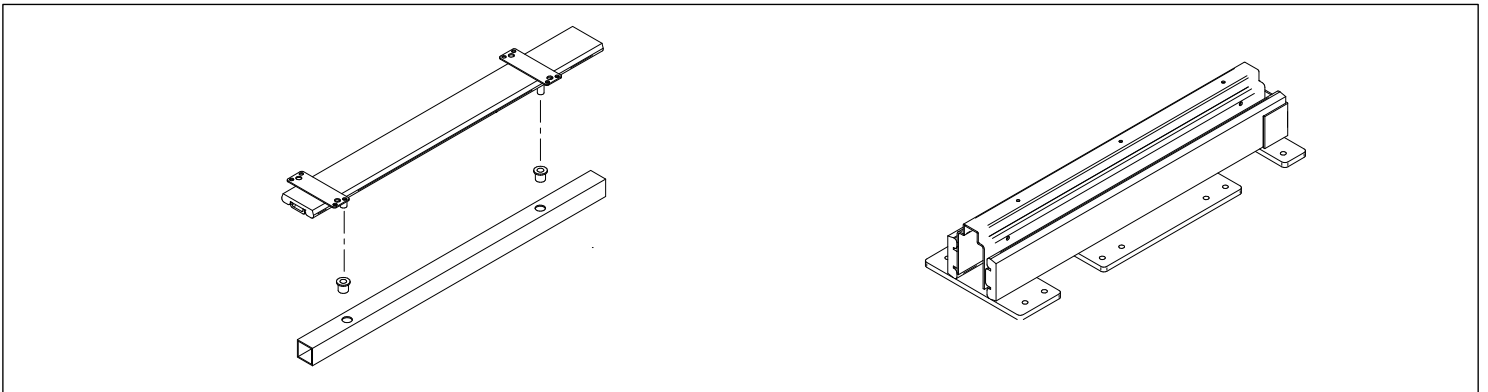
## Base Height Larder Unit

Soft Close 1100 - 1400mm

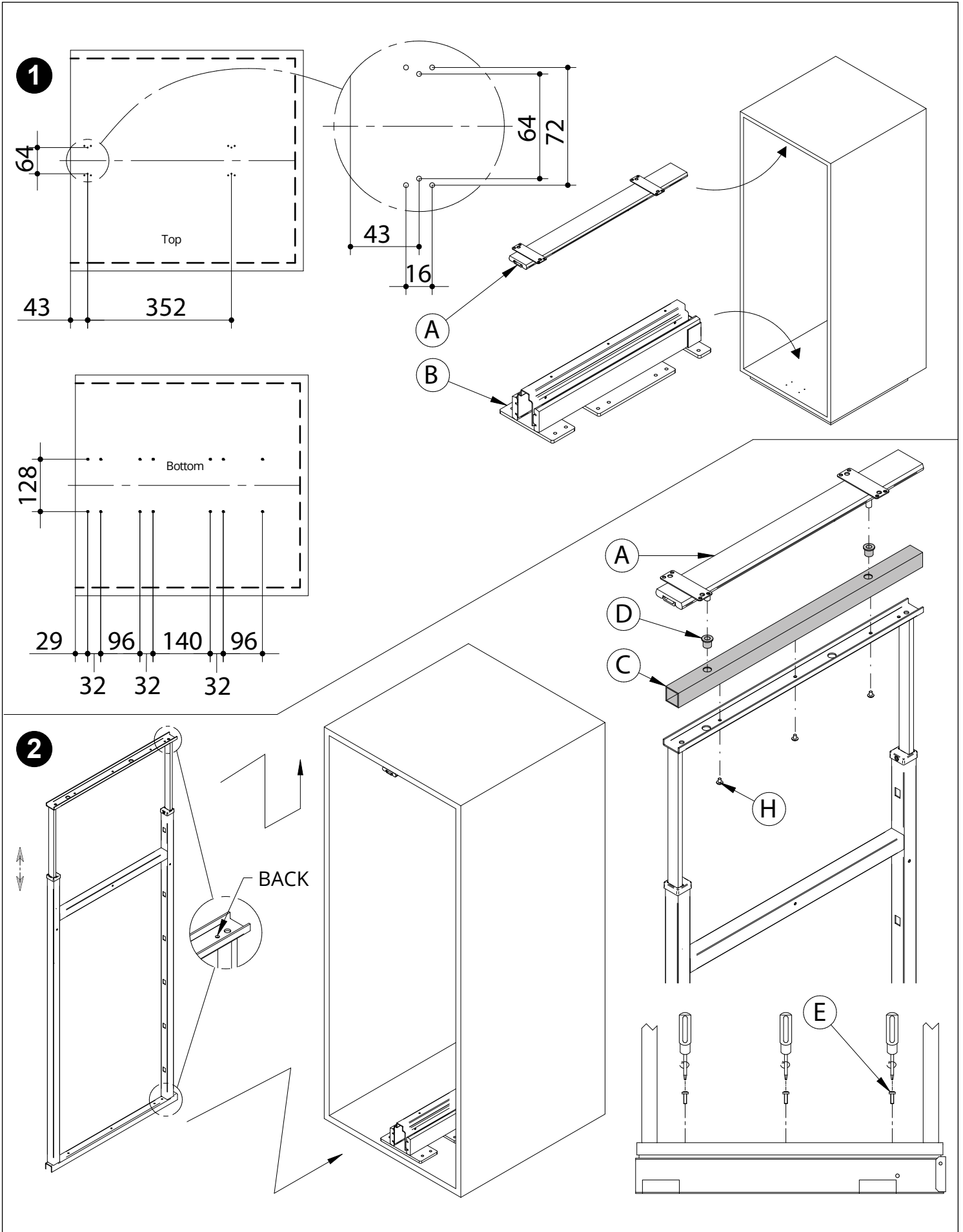
### Contents:

- Parts Required for the Larder Assembly 2
- Assembling the Pull Out Column 3 - 5
- Parts Required for the Frame and Baskets 6
- Assembly of the Frame and Baskets 7

## Parts Required for the Larder Assembly

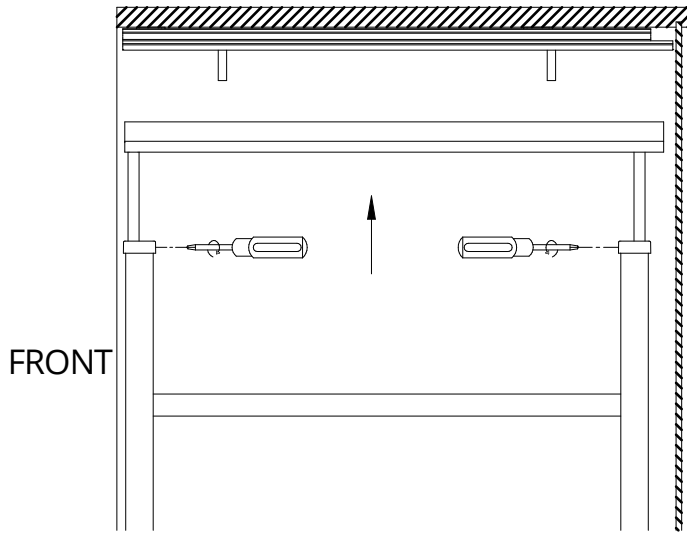


## Assembling the Pull Out Column

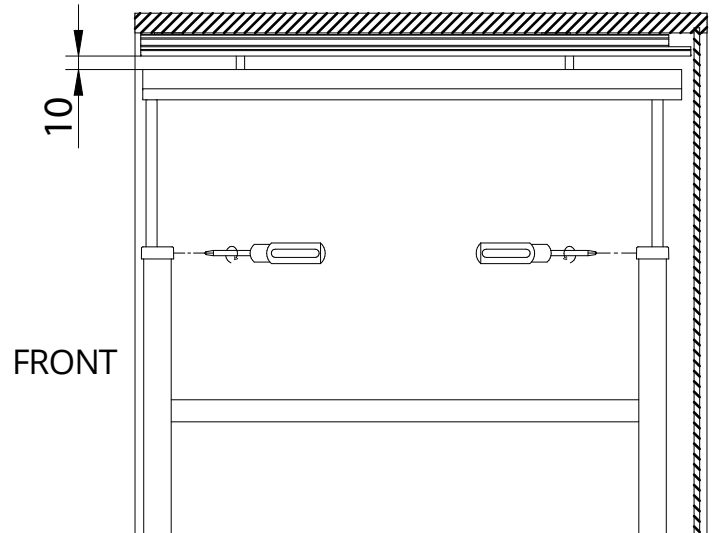


## Assembling the Pull Out Column

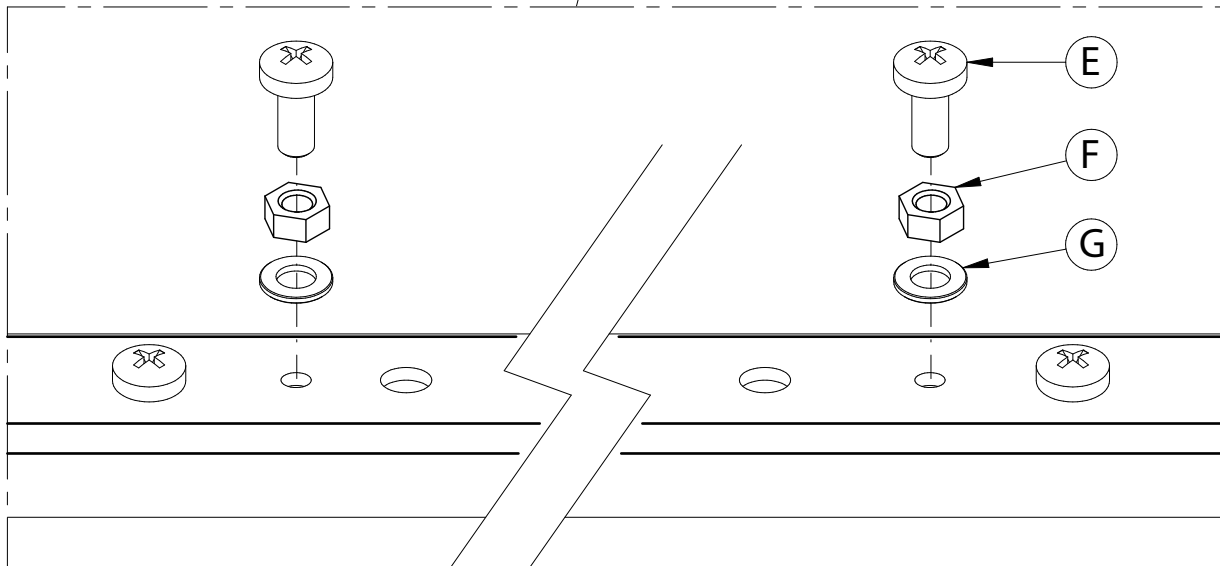
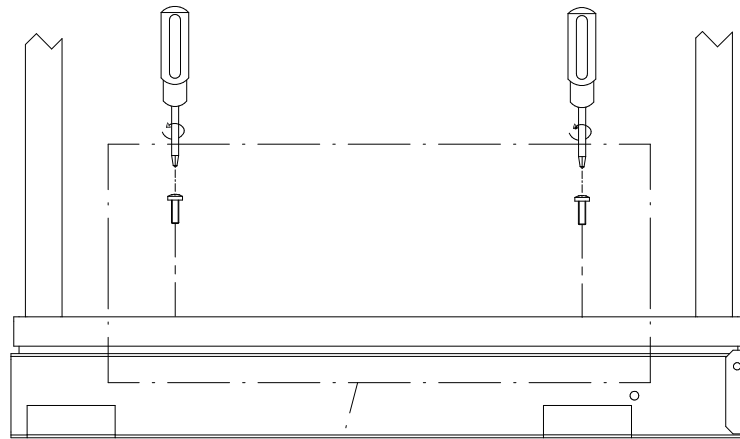
**3**



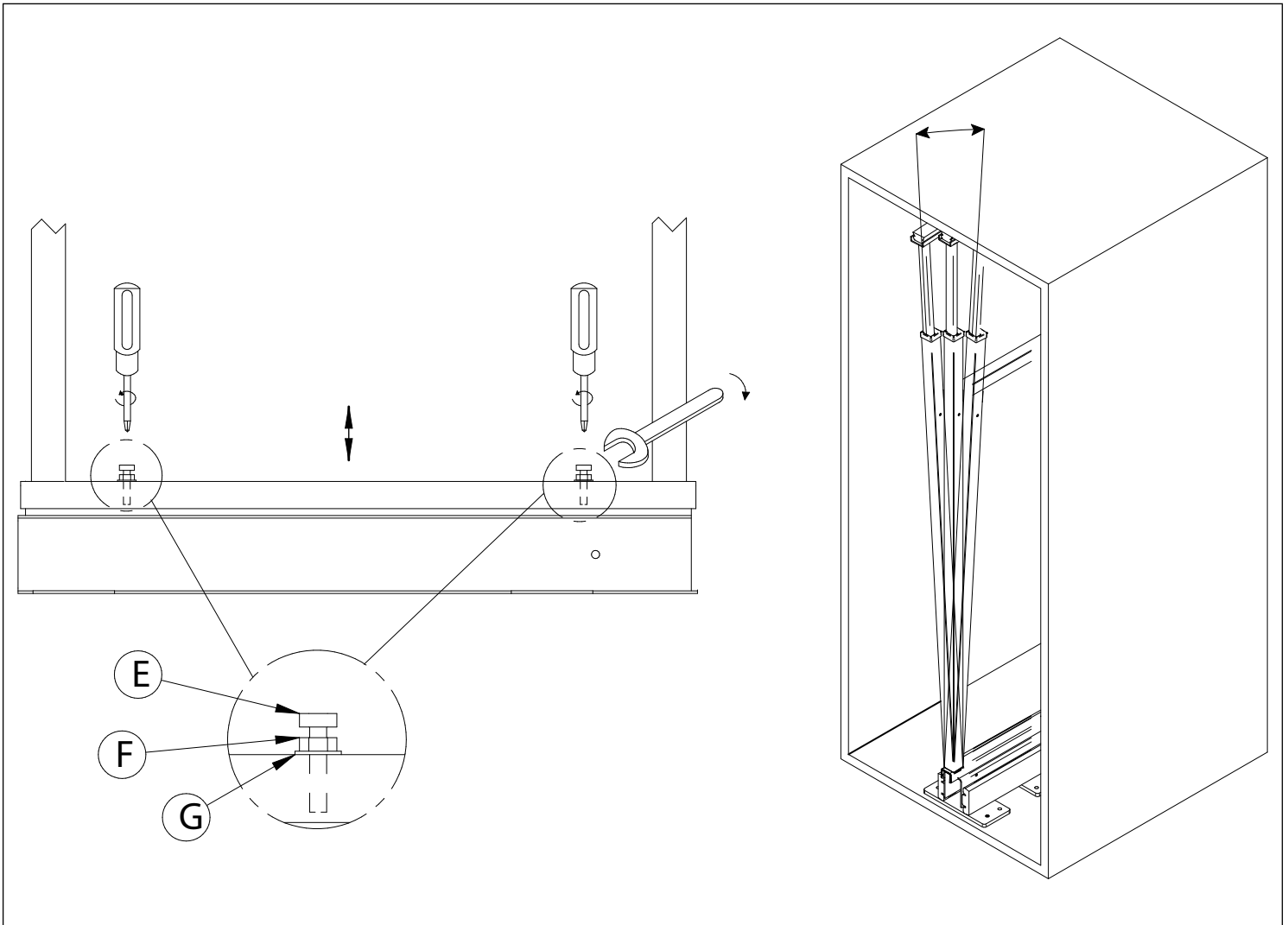
**4**



**5**

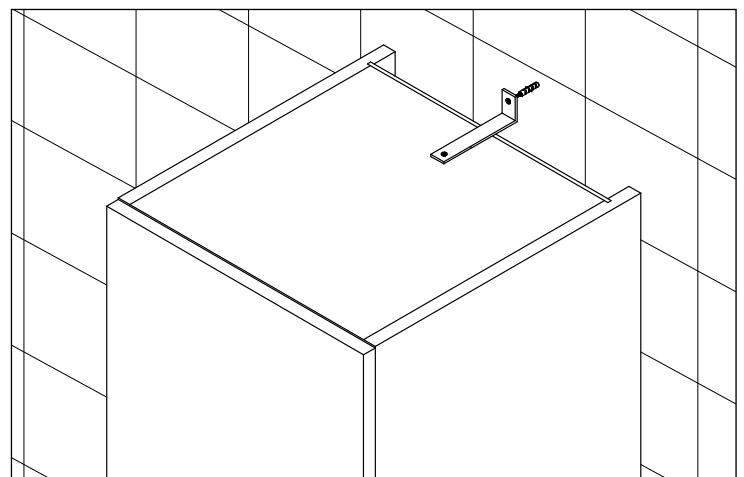


## Assembling the Pull Out Column

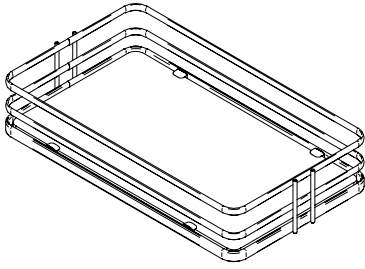


# ATTENTION !

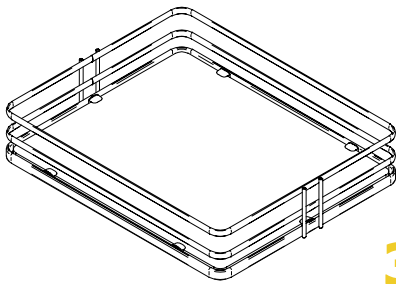
The Larder Unit must be fixed to the wall as illustrated here.



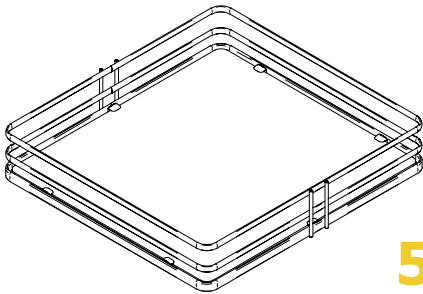
## Parts Required for the Frame and Baskets



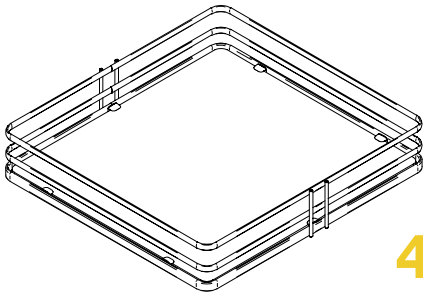
**2.5kg**  
**300mm**



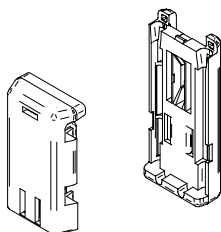
**3.8kg**  
**400mm**



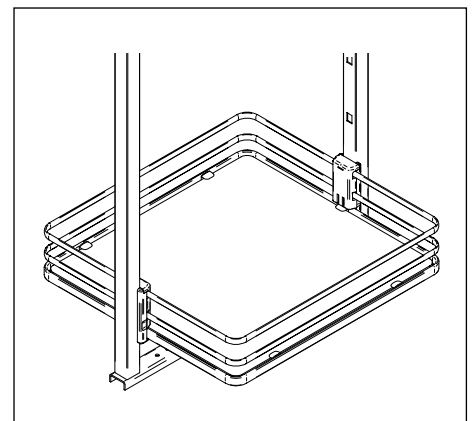
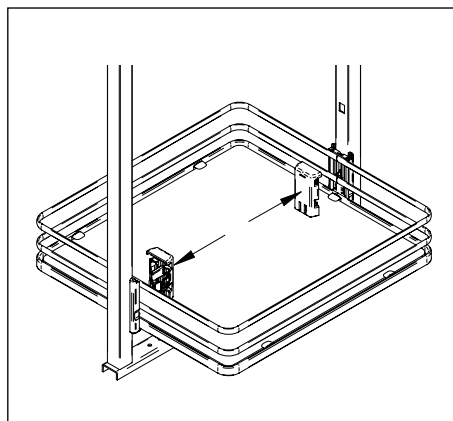
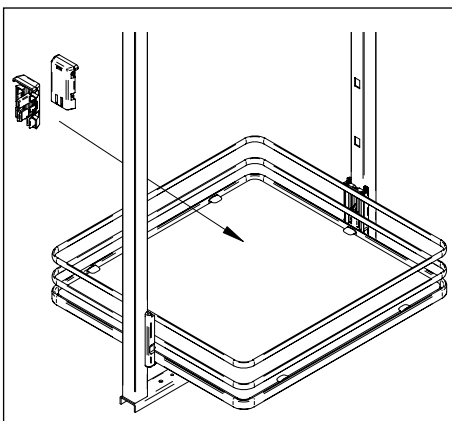
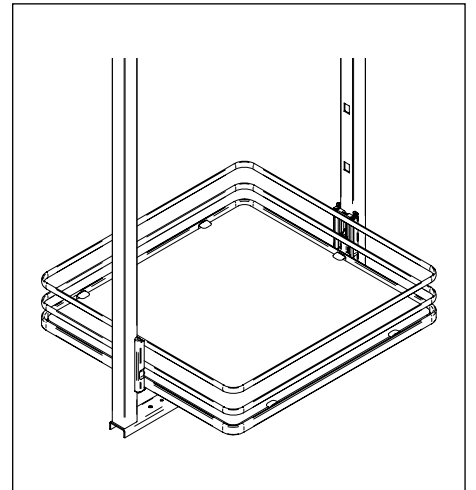
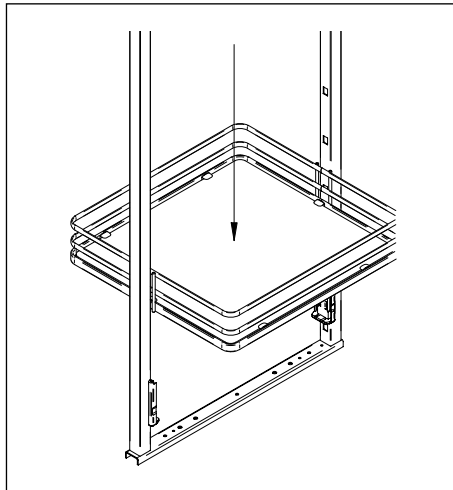
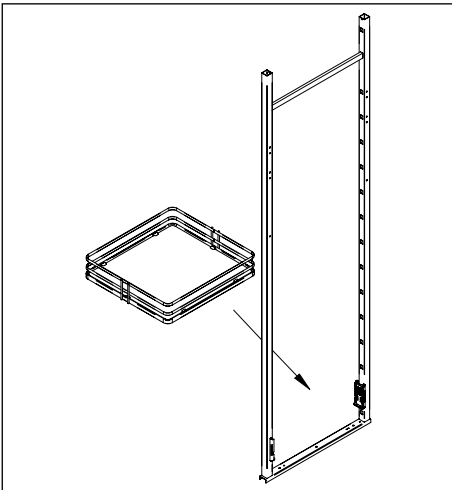
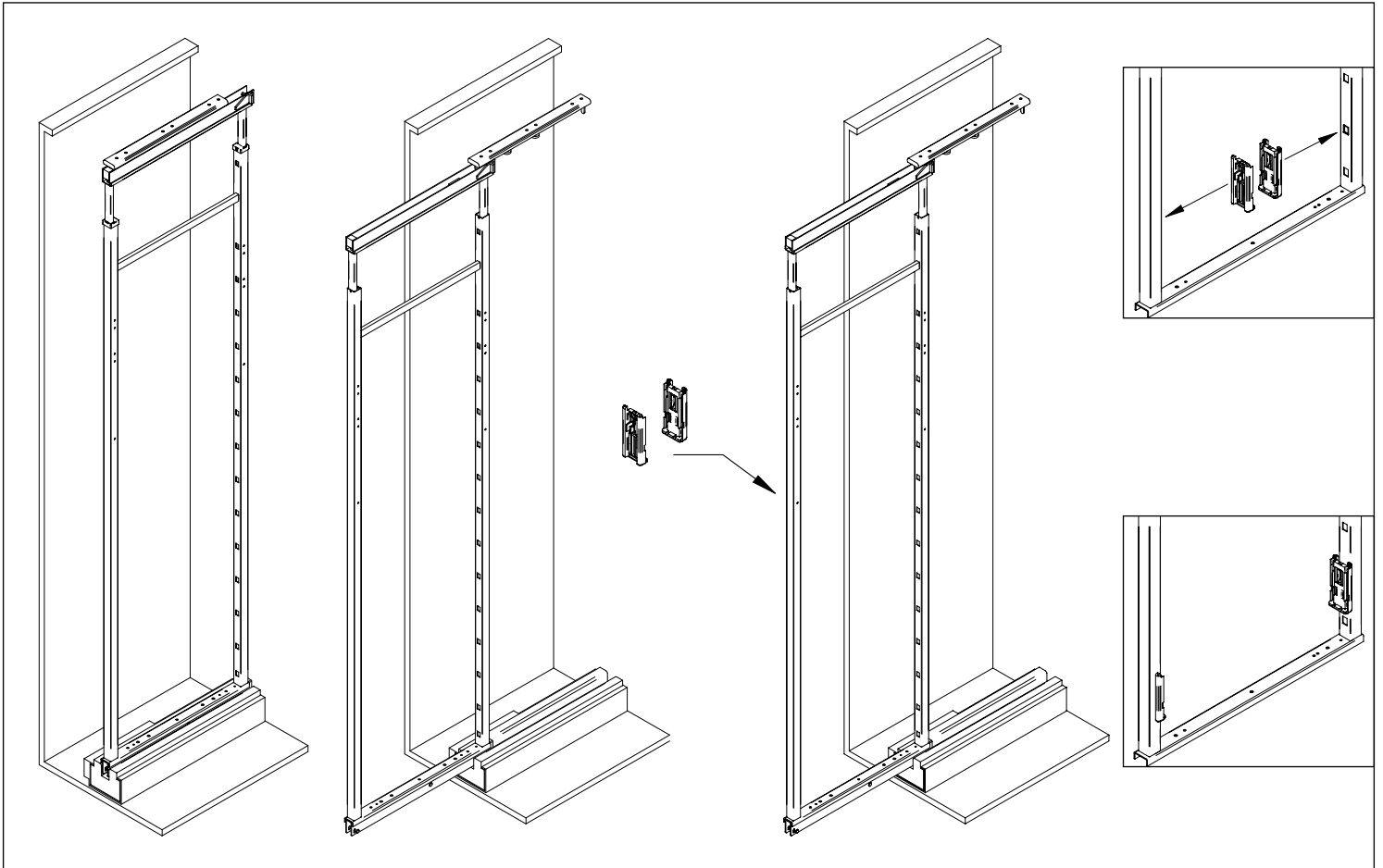
**5.6kg**  
**600mm**



**4.6kg**  
**500mm**



## Assembly of the Frame and Baskets to the Cabinets





MACHINERY - MATERIALS - COMPONENTS - ADHESIVES - FOILS - PANELS - DOORS

**NEY Ltd (Head Office)**

Stonebridge Trading Estate  
Sibree Road  
Coventry  
CV3 4FD

**t** 024 7630 8100  
**f** 024 7630 8101  
**e** sales@ney.co.uk

**NEY Ireland**

Unit 22 Blaris Ind Estate  
Altona Road  
Lisburn  
BT27 5QB

**t** 028 92 673 000  
**f** 028 92 672 999  
**e** ireland@ney.co.uk

**NEY Scotland**

Block 2 Units 1-2-3  
Bandeath Ind Est  
Throsk, Stirling  
FK7 7NP

**t** 01786 814 814  
**f** 01786 814 812  
**e** scotland@ney.co.uk