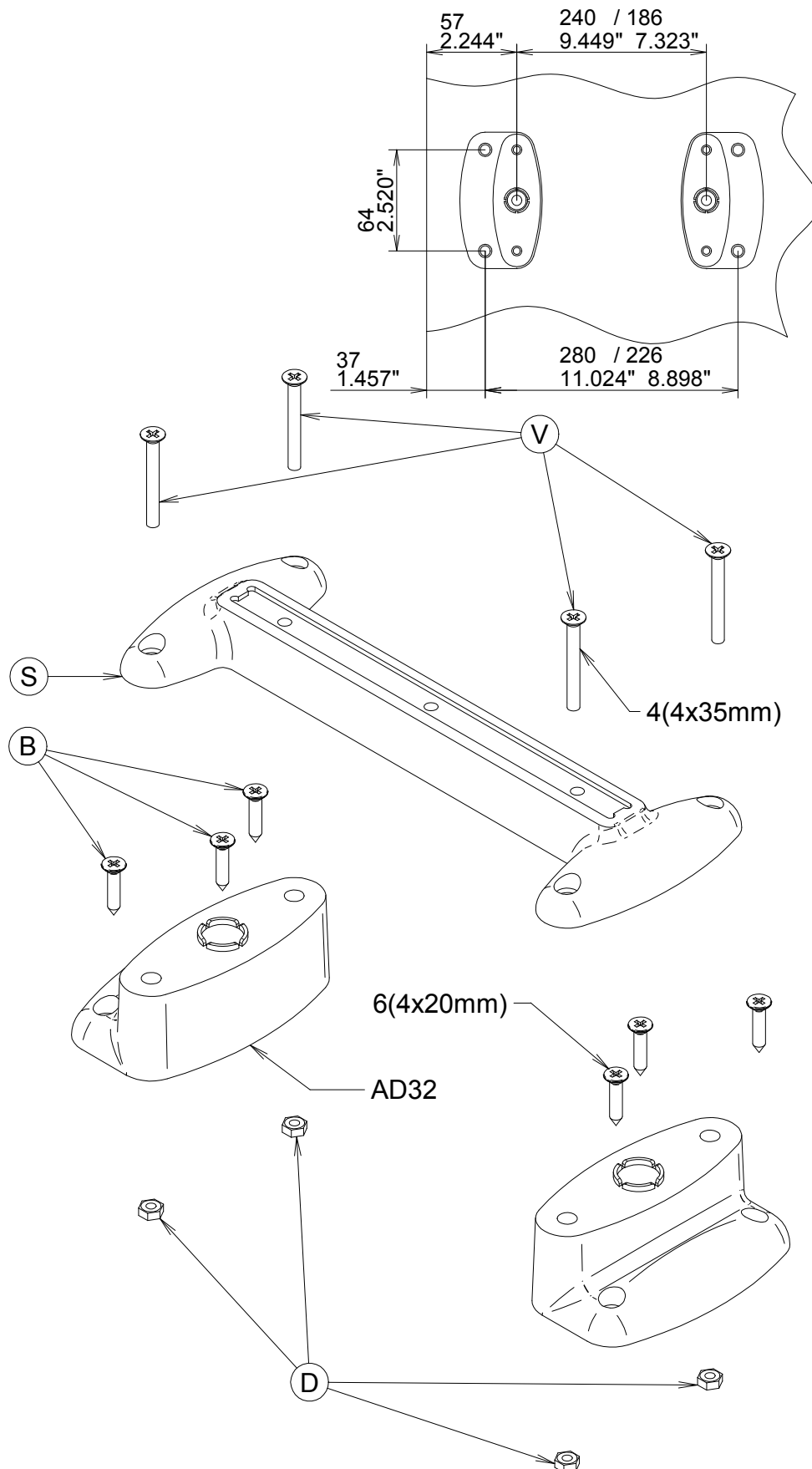




Installation Diagram for Eco Grey Spacer



1. Insert the 4 nuts "D" in the special holes provided in the spacer AD32 then fasten the 2 spacers AD32 to the unit using the 6 screws "B".
2. Fasten the support "S" to the 2 spacers AD32 using the 4 screws V.