



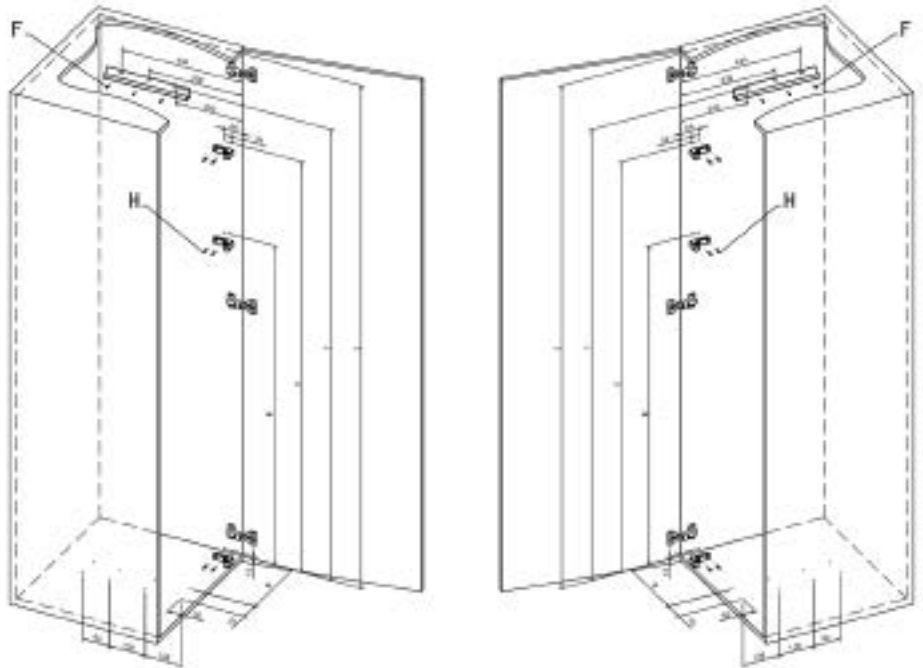
Swing Out Pantry Installation Instructions

A		2pcs	M6*3L		1set	Connector (Left or Right)
B		2pcs	M6*30L		1set	
C		2pcs	M6*12L		1set	
D		4pcs	Gasket		1set	Bracket steel
E		4pcs	M6*12L		1set	
F		11pcs	ST4*16L		1set	Main shaft
G		8pcs	ST4*20L		1set	
H		6pcs	ST4*25L		1set	
I		2pcs	Supporting accessories		1set	
J		2pcs	Guiding element		1set	
		1set	Roller		1set	
		2pcs	connecting bar		1set	
		1pc	turn pin		1set	
		1pc	stop bar		1set	

Item NO	Item NO (new)	W	M	X	Y	Z
11145HC	331114590N	182.5	1185	1525	1675	min.1700
11160HC	331116090N	257.5	1185	1525	1675	min.1700
11145HC-5L	331114590N	182.5	910	1250	1425	min.1450
11160HC-5L	331116090N	257.5	910	1250	1425	min.1450
11145MC	331114590N	182.5	585	925	1075	min.1100
11160MC	331116090N	257.5	585	925	1075	min.1100
11145MC-3L	331114530N	182.5	310	650	825	min.850
11160MC-3L	331116030N	257.5	310	650	825	min.850

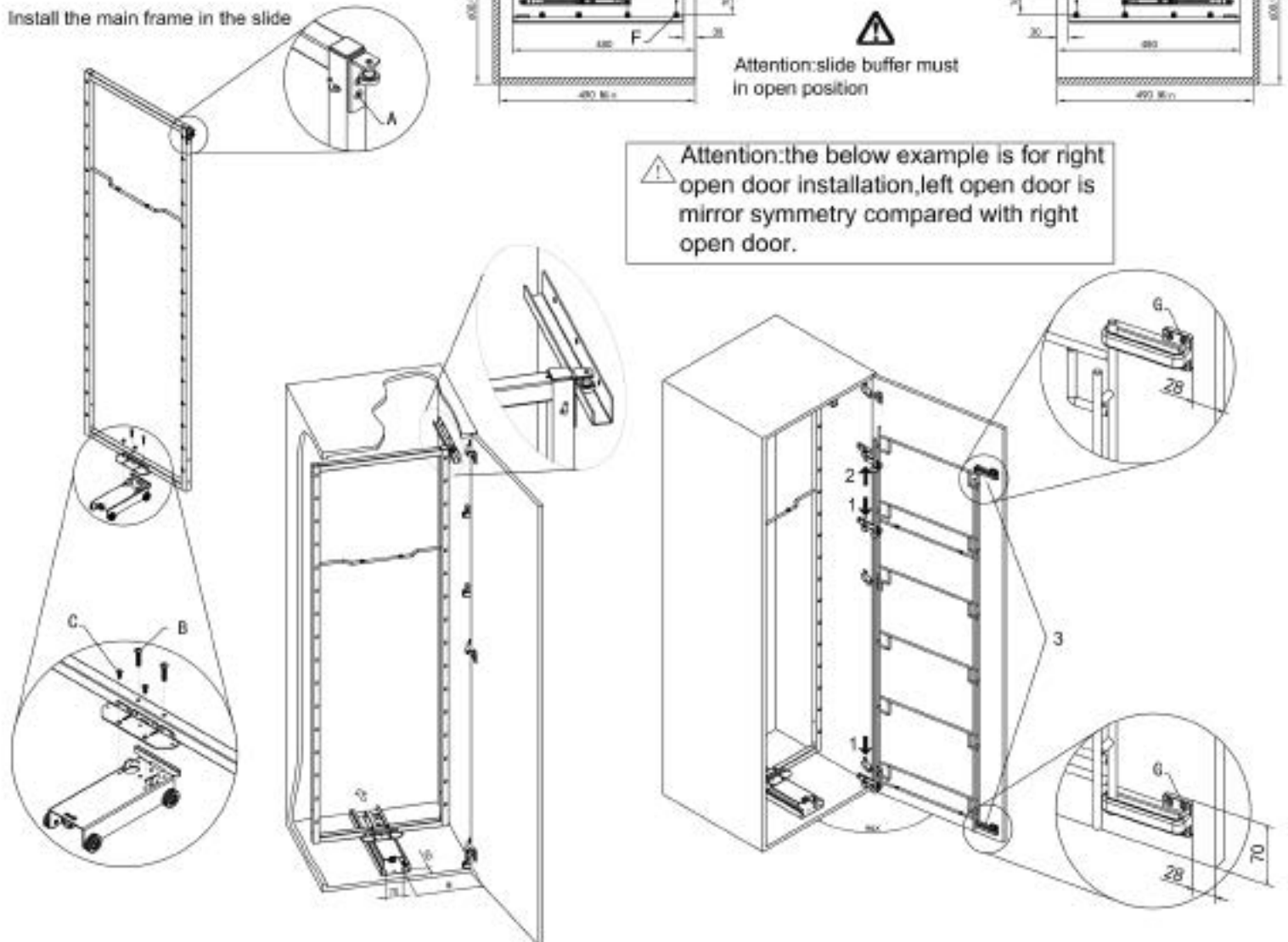
Right Open Door

Left Open Door



Attention: the below example is for right open door installation, left open door is mirror symmetry compared with right open door.

Install the main frame in the slide





Swing Out Pantry Installation Instructions

Right Open Door Installation

Left Open Door Installation

