



Special Features:

- Length: 270, 300, 350, 400, 450, 500, 550mm.
- The drawer side-board is 171mm high.
- Drawer width can be designed freely with automatic error adjustment.
- Hidden full pullout silencing sliding skid can bear 35kg and enjoys
- excellent stability and quite and smooth sliding performance.
- Quick installation and dismantle.
- Newly-designed built-in damper is free from reinstallation and ensures soft and smooth drawer movements.

| Basic length | Internally usable drawer depth | Minimum installation depth of drawer | Minimum installation height |
|--------------|--------------------------------|--------------------------------------|-----------------------------|
| 270mm | 244mm | 270mm | 192mm |
| 300mm | 274mm | 300mm | 192mm |
| 350mm | 324mm | 350mm | 192mm |
| 400mm | 374mm | 400mm | 192mm |
| 450mm | 424mm | 450mm | 192mm |
| 500mm | 474mm | 500mm | 192mm |
| 550mm | 524mm | 550mm | 192mm |

1. Guide Left/Right Length :

| |
|-------|
| 270mm |
| 300mm |
| 350mm |
| 400mm |
| 450mm |
| 500mm |
| 550mm |

2.glass

| No. | L±0.3 |
|-----|-------|
| 550 | 448 |
| 500 | 398 |
| 450 | 348 |
| 400 | 298 |
| 350 | 248 |
| 300 | 198 |
| 270 | 148 |

Hexagon chamfer C1.0

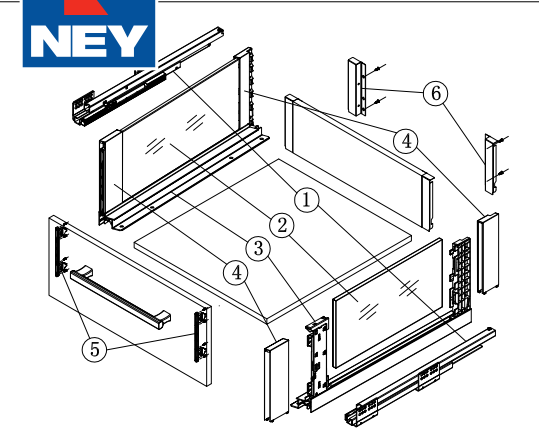
3.Drawer Side & Decorative Cap Length:

| |
|-------|
| 270mm |
| 300mm |
| 350mm |
| 400mm |
| 450mm |
| 500mm |
| 550mm |

4.Back connector Left / Right

5.Front connector Left / Right

6.Back connector Left / Right



Technology pivot: Bottom and Back Panel Measurement 18MM Density Panel

LW: Inside Cabinet Width

- Bottom panel width=Inside Cabinet Width-75±0.5
Bottom panel length=Runner length-10MM
- Back panel height= 151MM
Back panel width=Inside Cabinet Width-87±0.5

Runner Installation(mm)

Basic length: 270/300/350/400/450/500/550

