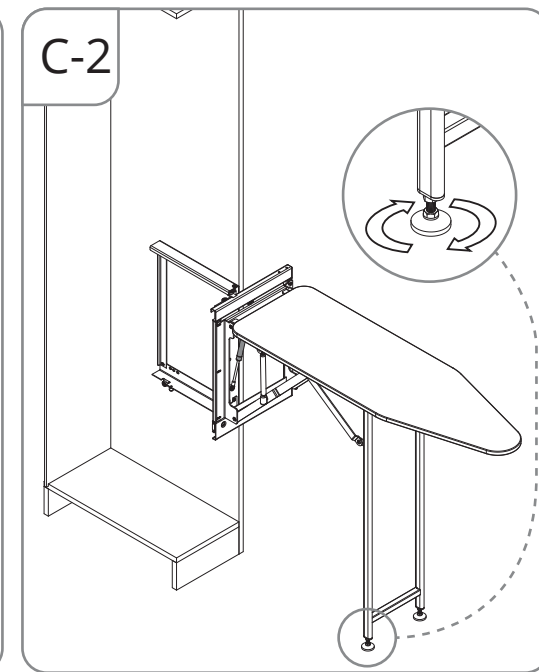
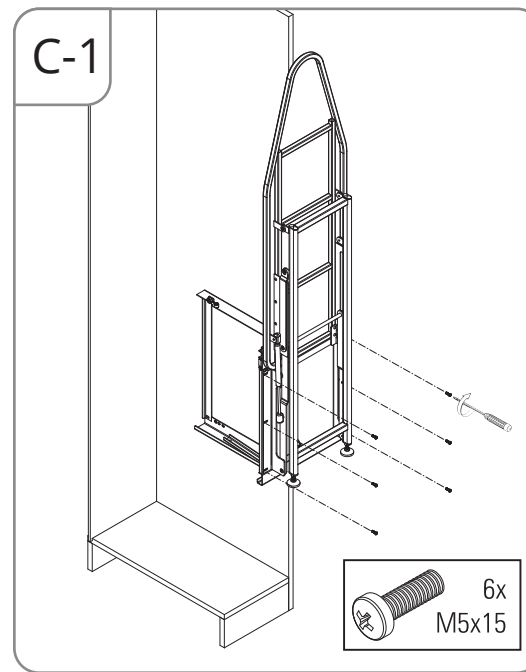
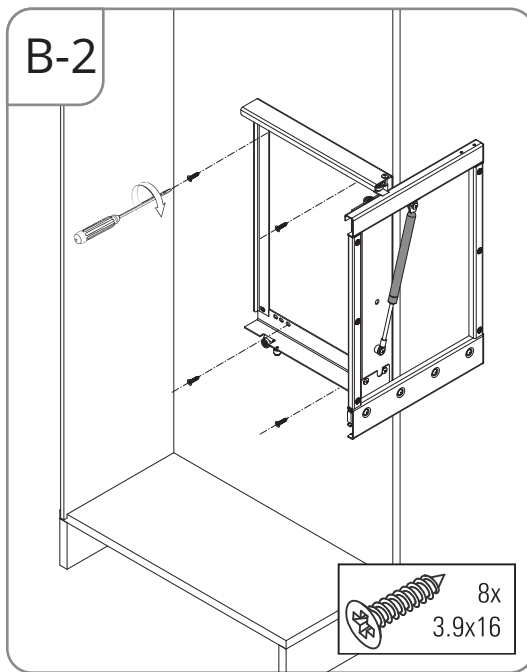
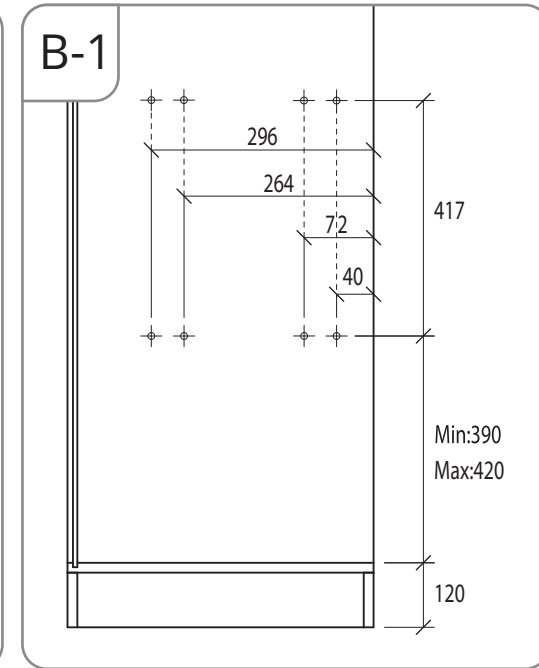
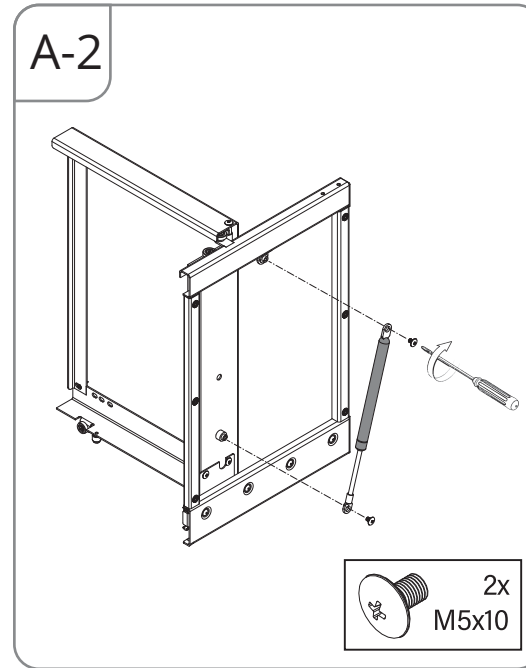
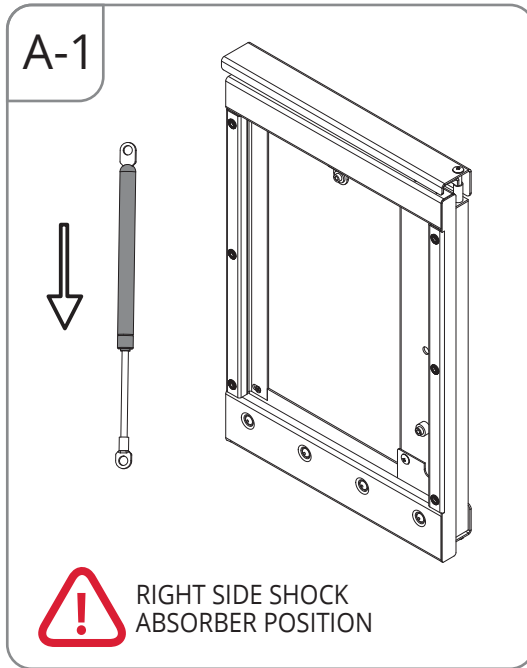




Ironing Board Pull-Out Mounting Instructions - RIGHT

ITEM PARTS			
NO	PART DRAWING	PCS	
1		1	
2		1	
3		1	
4	3.9x16	8	
5	M5x15	6	
6	M5x10	2	



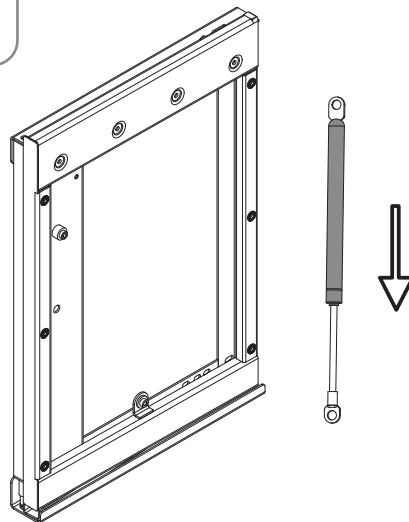


Ironing Board Pull-Out Mounting Instructions - LEFT

ITEM PARTS

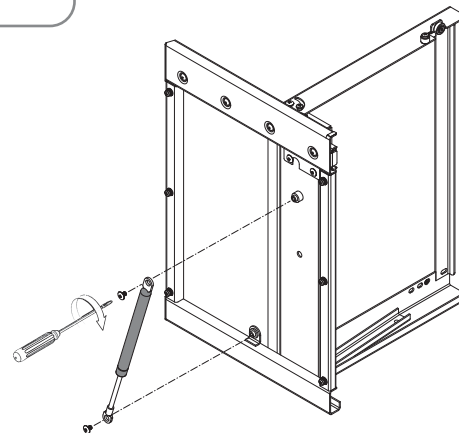
NO	PART DRAWING	PCS
1		1
2		1
3		1
4	3.9x16	8
5	M5x15	6
6	M5x10	2

A-1



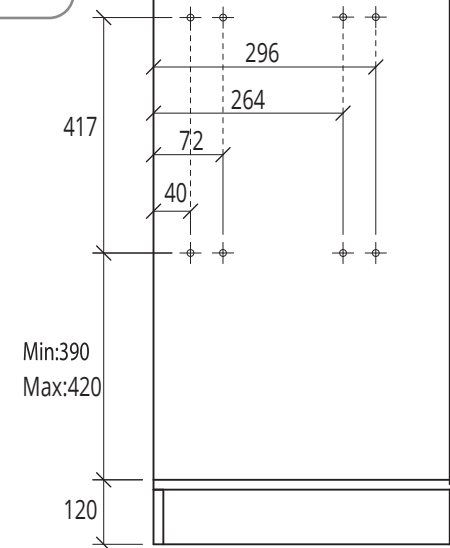
LEFT SIDE SHOCK ABSORBER POSITION

A-2

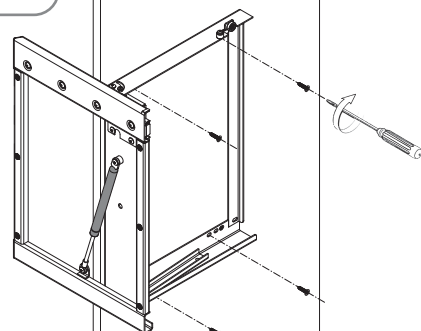


2x M5x10

B-1

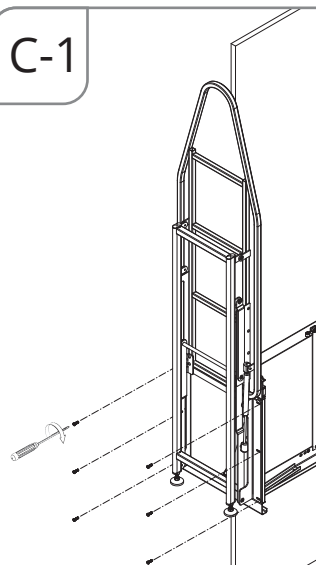


B-2



8x 3.9x16

C-1



6x M5x15

C-2

