

ASSEMBLY INFORMATION

for the

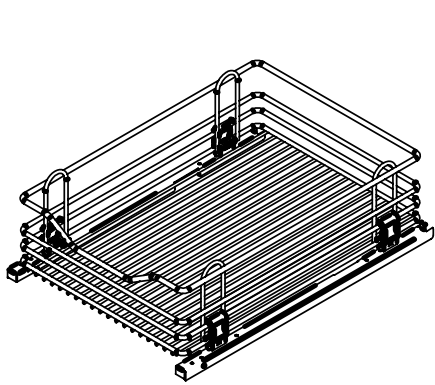
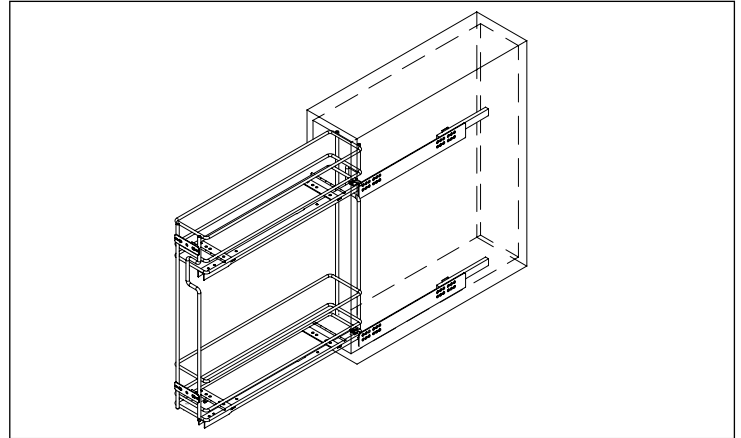
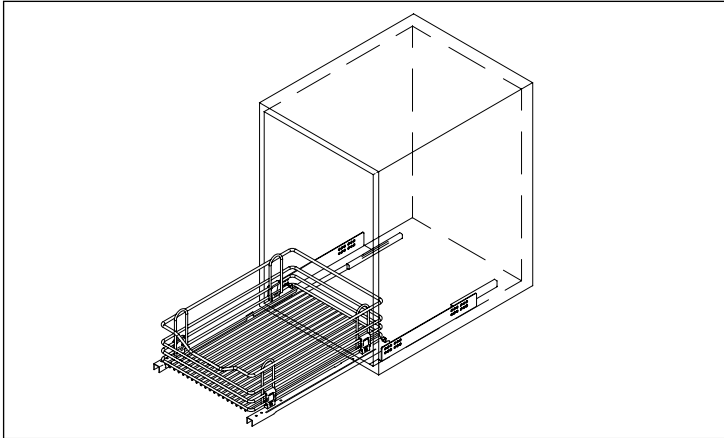
The logo for 'elite', consisting of the word 'elite' in white lowercase letters inside a green square.

Wire Drawer Baskets

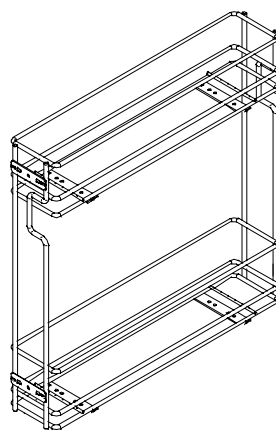
Contents:

- Assembly of the Baskets to the Cabinets 2
- Assembly of the Baskets to the Cabinets 3
- Assembly of the Baskets to the Cabinets 4

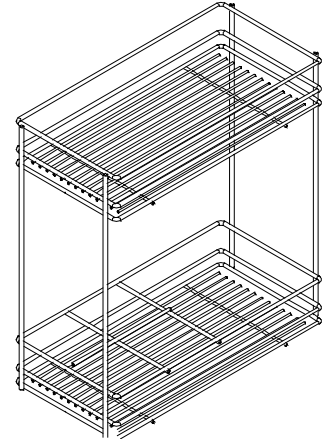
Assembly of the Baskets



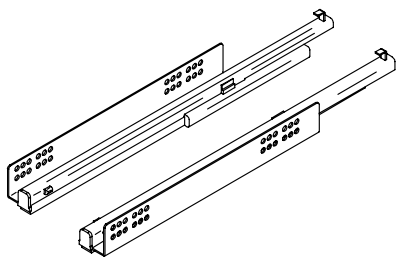
A x 1



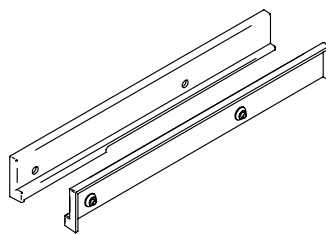
A1 x 2



A2 x 1

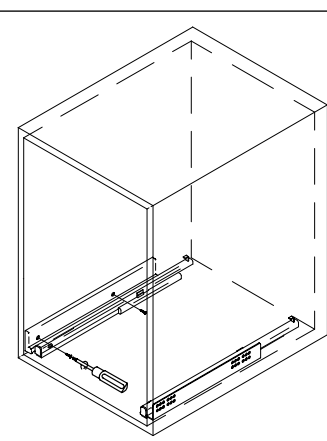
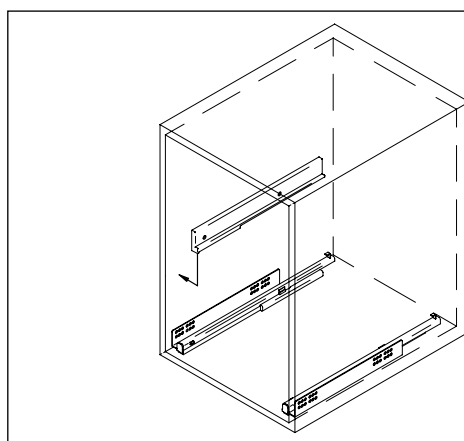
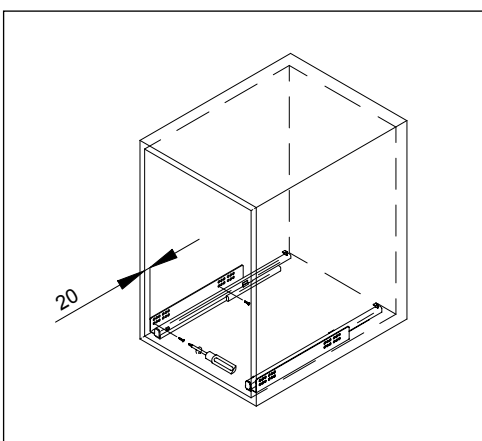


B x 2

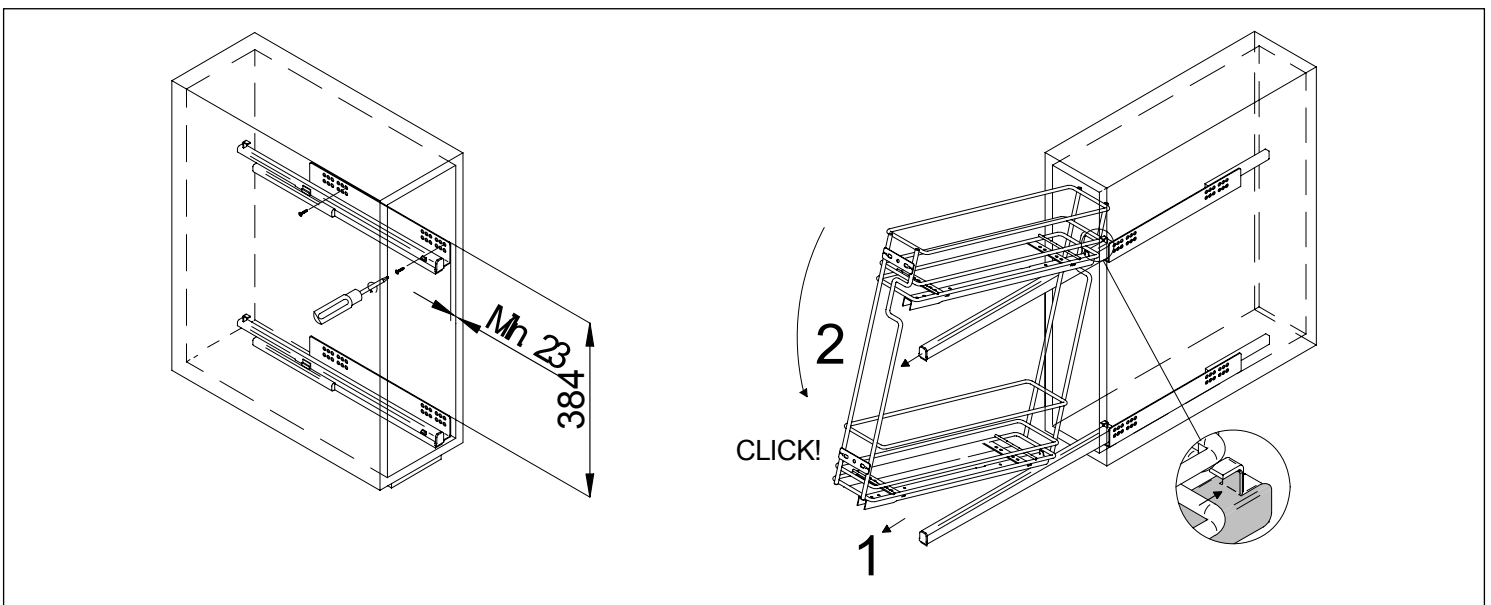
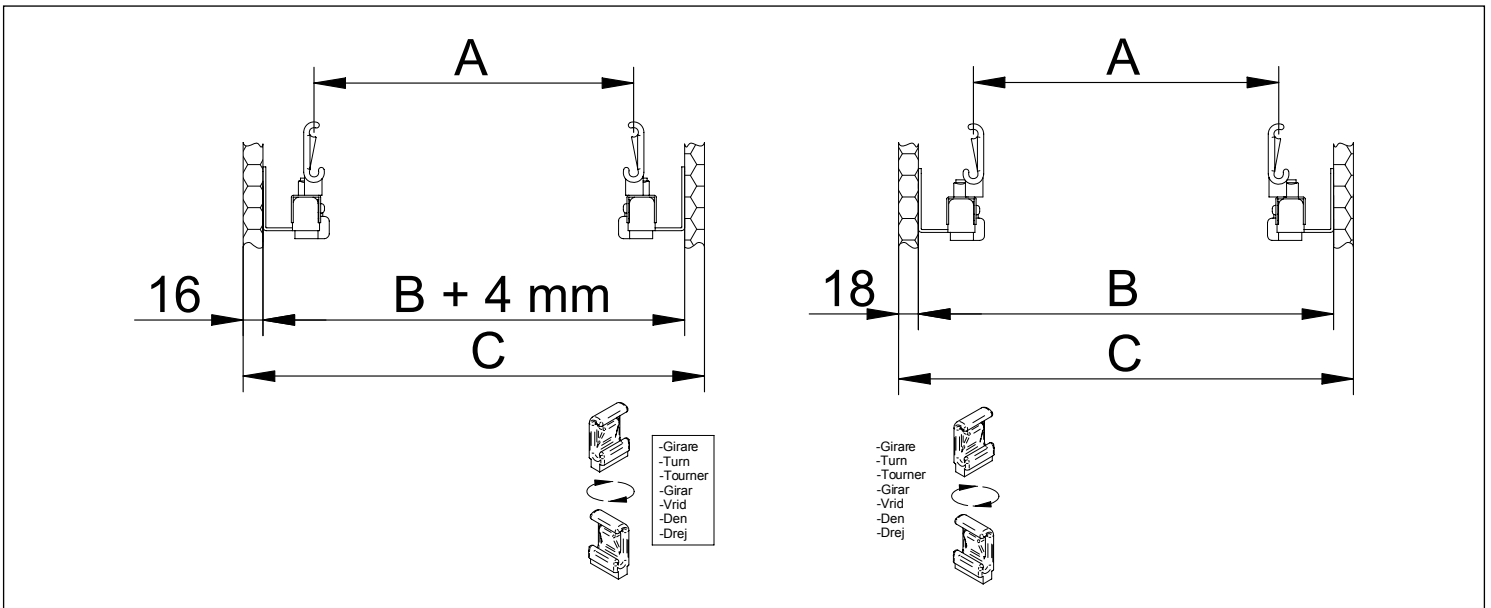
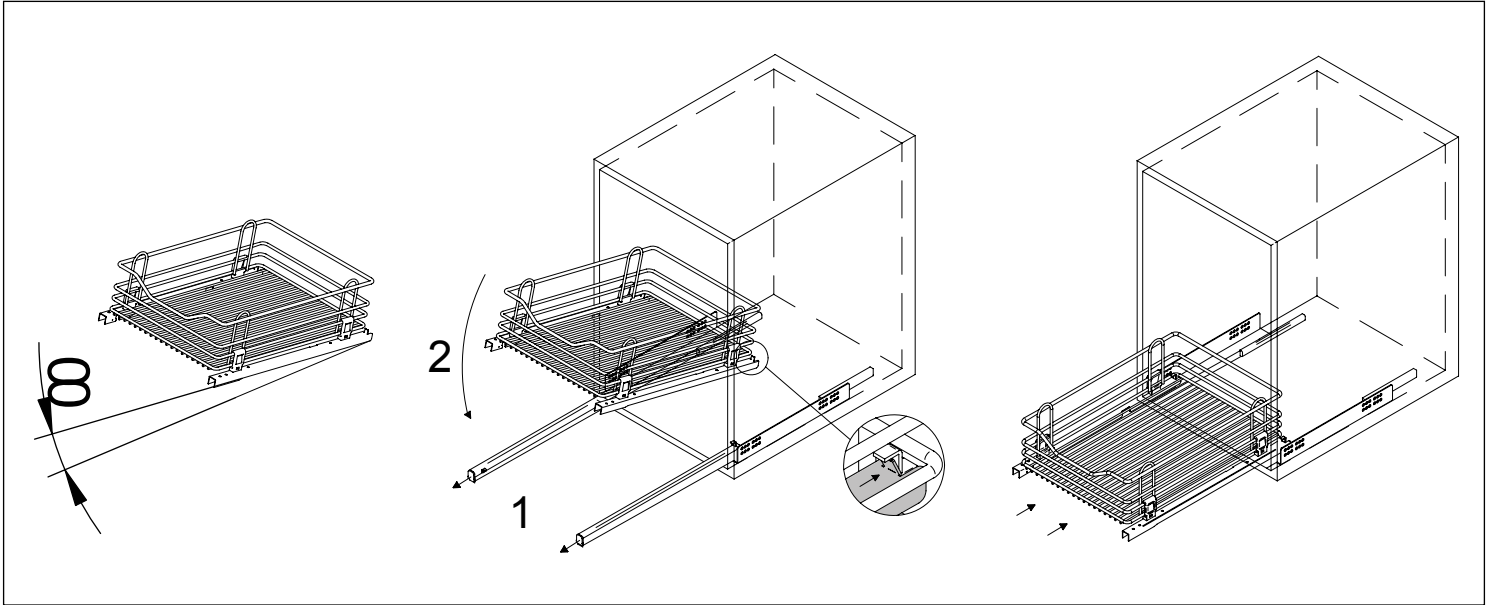


C x 2

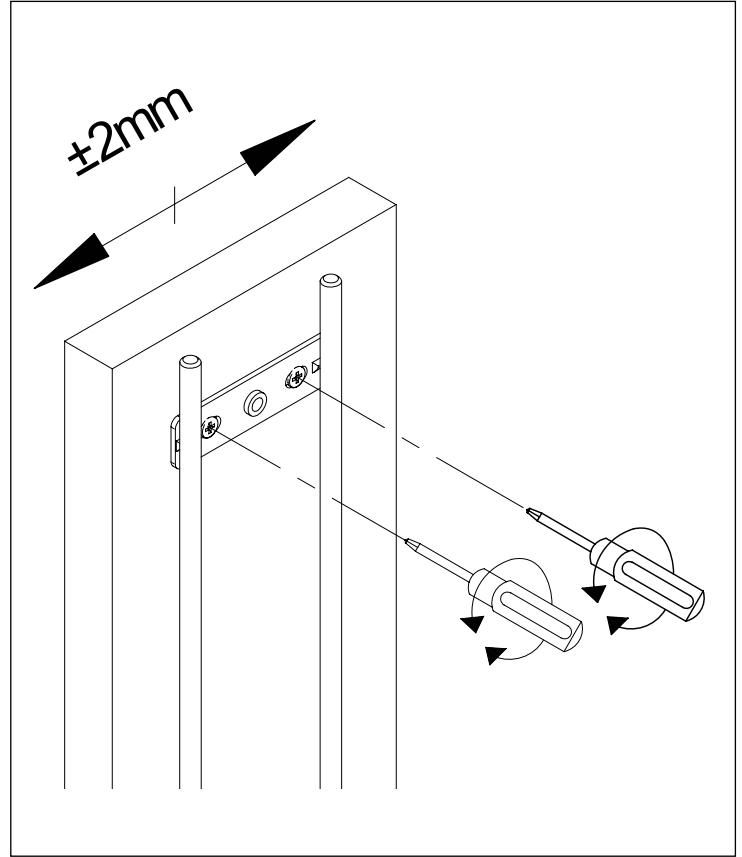
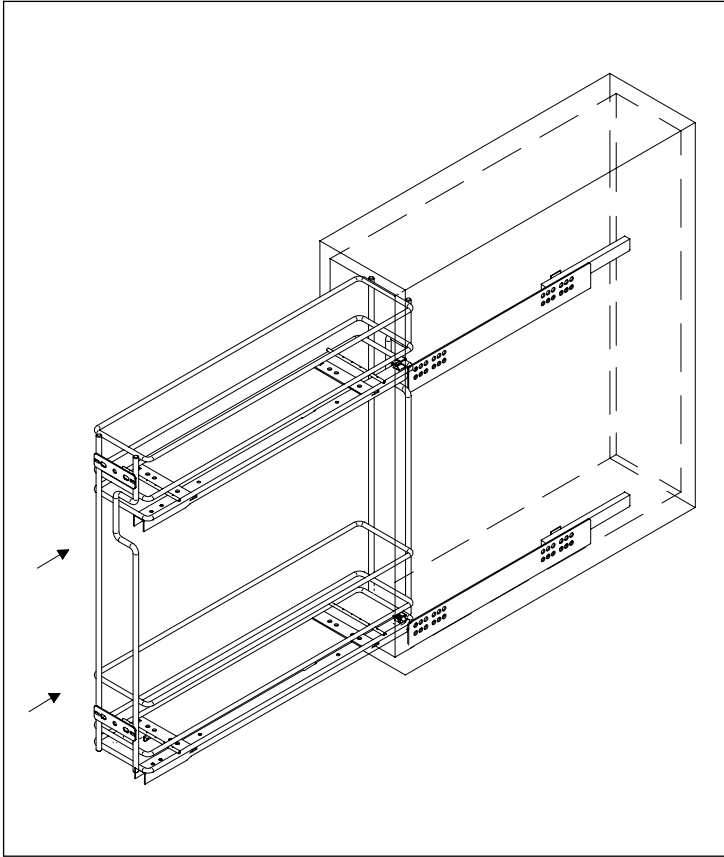
30kg
max load



Assembly of the Baskets



Assembly of the Baskets





MACHINERY - MATERIALS - COMPONENTS - ADHESIVES - FOILS - PANELS - DOORS

NEY Ltd (Head Office)

Stonebridge Trading Estate
Sibree Road
Coventry
CV3 4FD

t 024 7630 8100
f 024 7630 8101
e sales@ney.co.uk

NEY Ireland

Unit 22 Blaris Ind Estate
Altona Road
Lisburn
BT27 5QB

t 028 92 673 000
f 028 92 672 999
e ireland@ney.co.uk

NEY Scotland

Block 2 Units 1-2-3
Bandeath Ind Est
Throsk, Stirling
FK7 7NP

t 01786 814 814
f 01786 814 812
e scotland@ney.co.uk