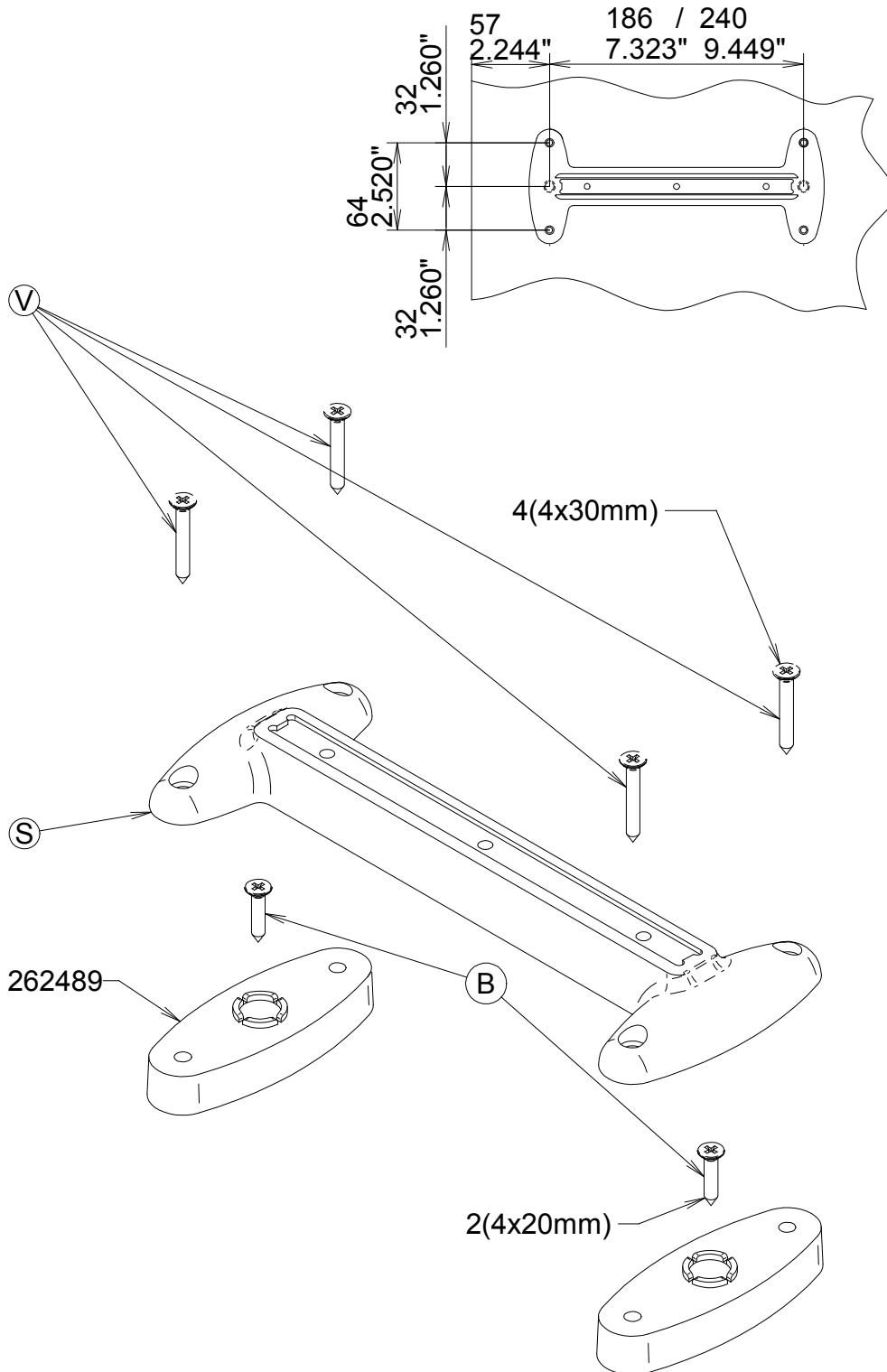
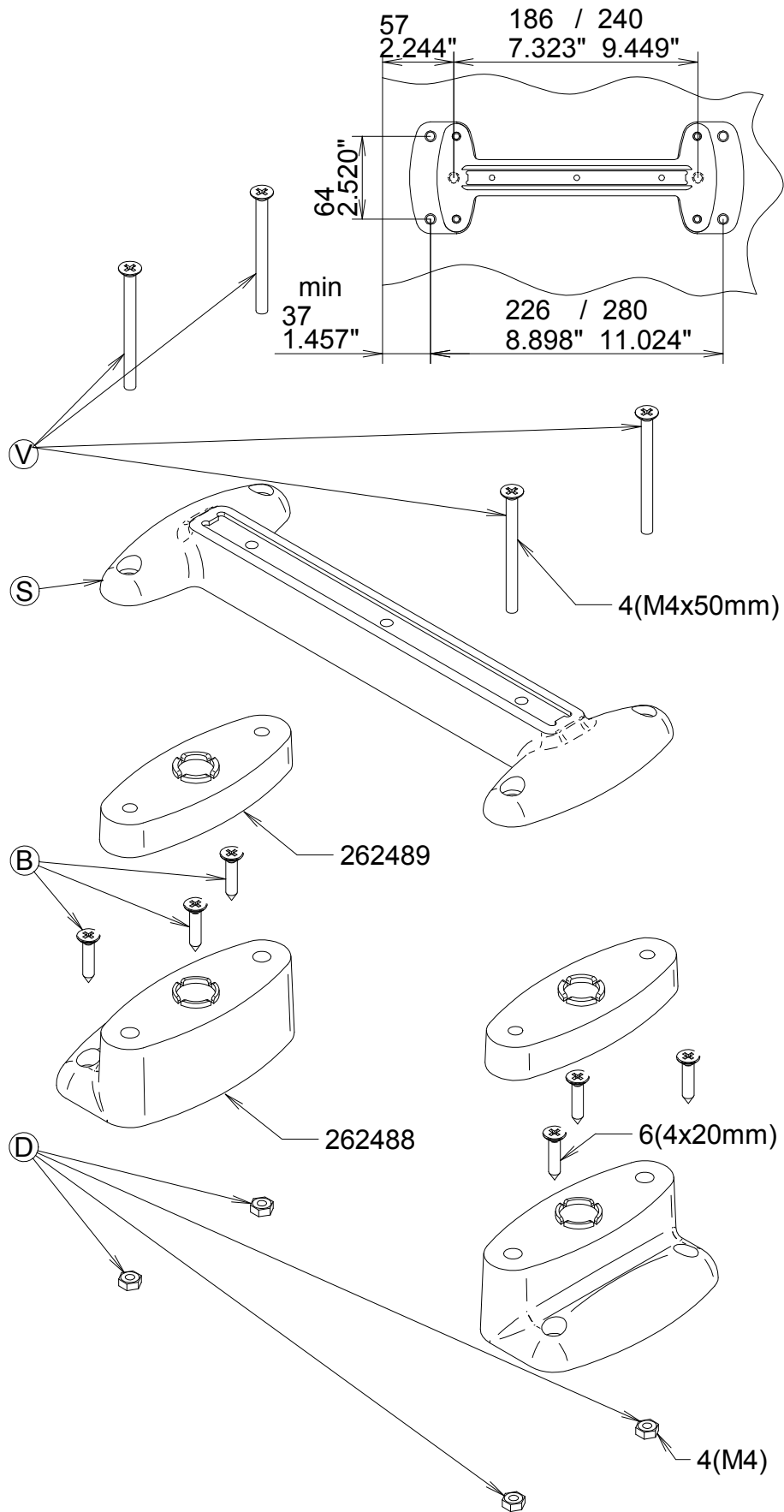




Installation Diagram for Eco Grey Spacer Part No's 262489 and 262488



1. Fasten the 2 262489 to the unit using the 2 screws "B".
2. Fasten the support "S" using the 4 screws V.



1. Insert the 4 nuts "D" in the holes provided in the spacer 262488 then fasten the 2 spacers 262488 to the unit using the 6 screws "B".
2. Position the 262489 between the 262488 and the support "S".
2. Fasten the assembly using the 4 screws V.