



MOUNTING INSTRUCTIONS

For:



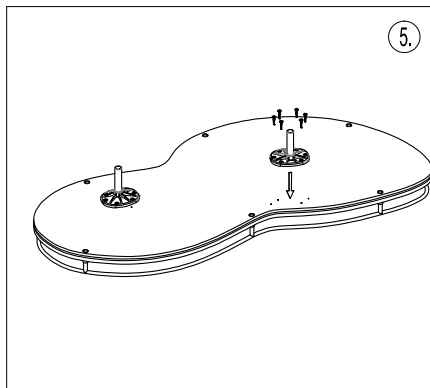
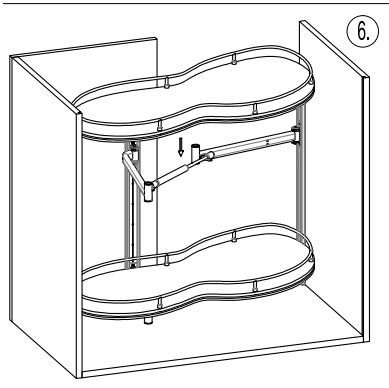
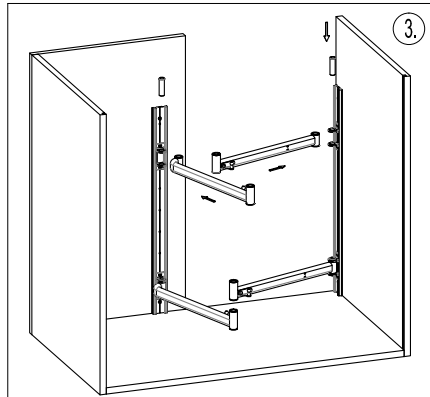
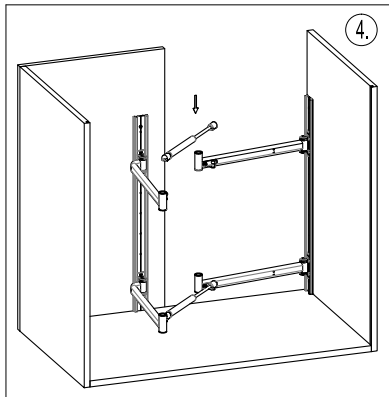
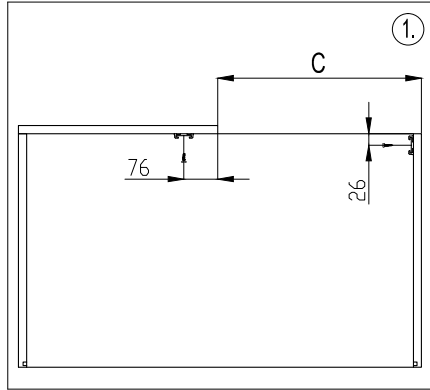
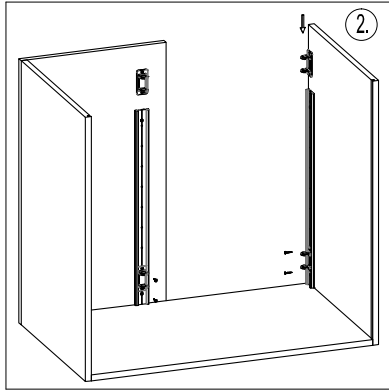
450mm Moon Corner Unit

Contents:

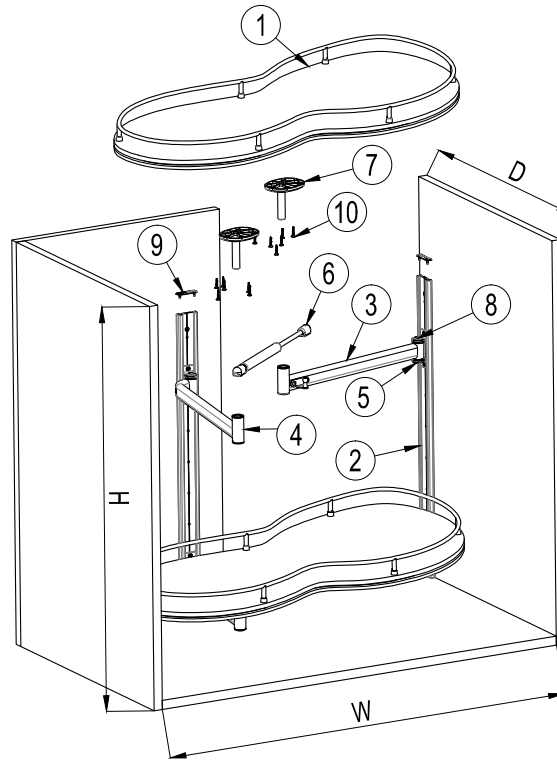
- Parts Required and Mounting Instructions 2
- Technical Drawings 3

450mm Moon Corner Unit

Parts Required and Mounting Instructions



- S-3103
- S-3105
- Turnboard Secret Corner Mechanism Mounting Instructions (Left)

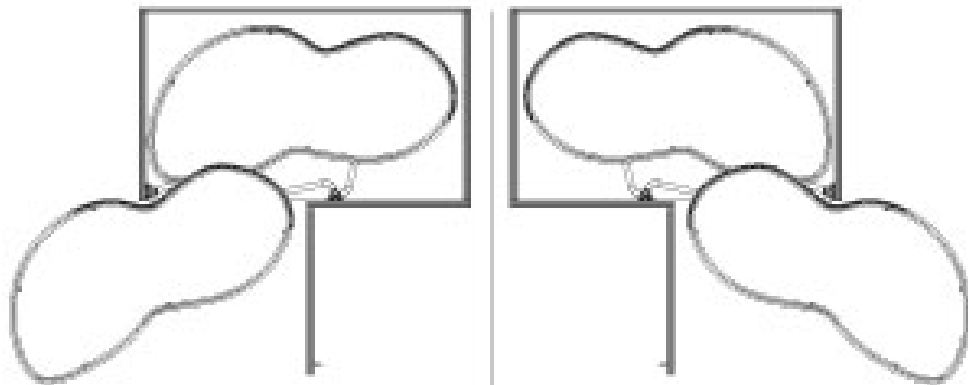


W	Min : 810 mm
D	Min : 460 mm
H	Min : 600 mm
C	Min : 400 mm

ITEMS PART		
PCS.	PART DRAWING	NO
2		1
2		2
2		3
2		4
4		5
2		6
4		7
4		8
2		9
36		10

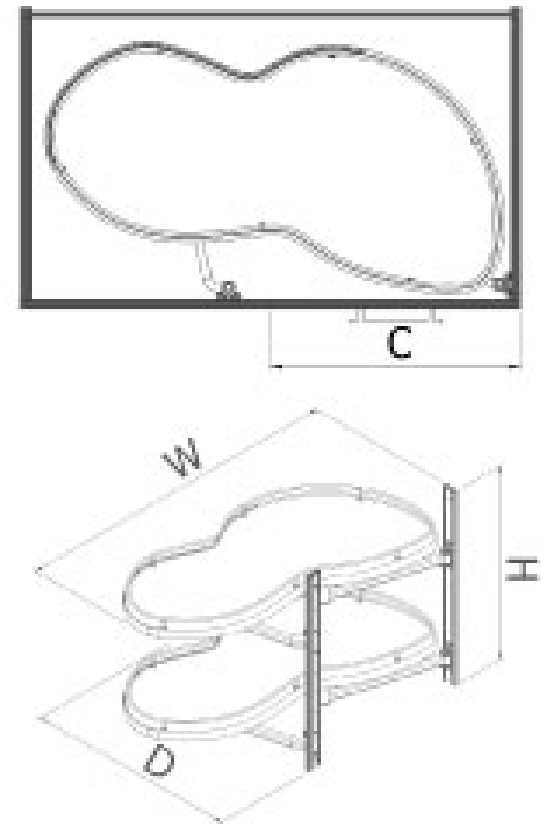
450mm Moon Corner Unit

Technical Drawings



Left

Right





MACHINERY - MATERIALS - COMPONENTS - ADHESIVES - FOILS - PANELS - DOORS

NEY Ltd (Head Office)

Stonebridge Trading Estate
Sibree Road
Coventry
CV3 4FD

t 024 7630 8100
f 024 7630 8101
e sales@ney.co.uk

NEY Ireland

Unit 22 Blaris Ind Estate
Altona Road
Lisburn
BT27 5QB

t 028 92 673 000
f 028 92 672 999
e ireland@ney.co.uk

NEY Scotland

Block 2 Units 1-2-3
Bandeath Ind Est
Throsk, Stirling
FK7 7NP

t 01786 814 814
f 01786 814 812
e scotland@ney.co.uk

Order online @ www.ney.co.uk or call us on 024 7630 8100