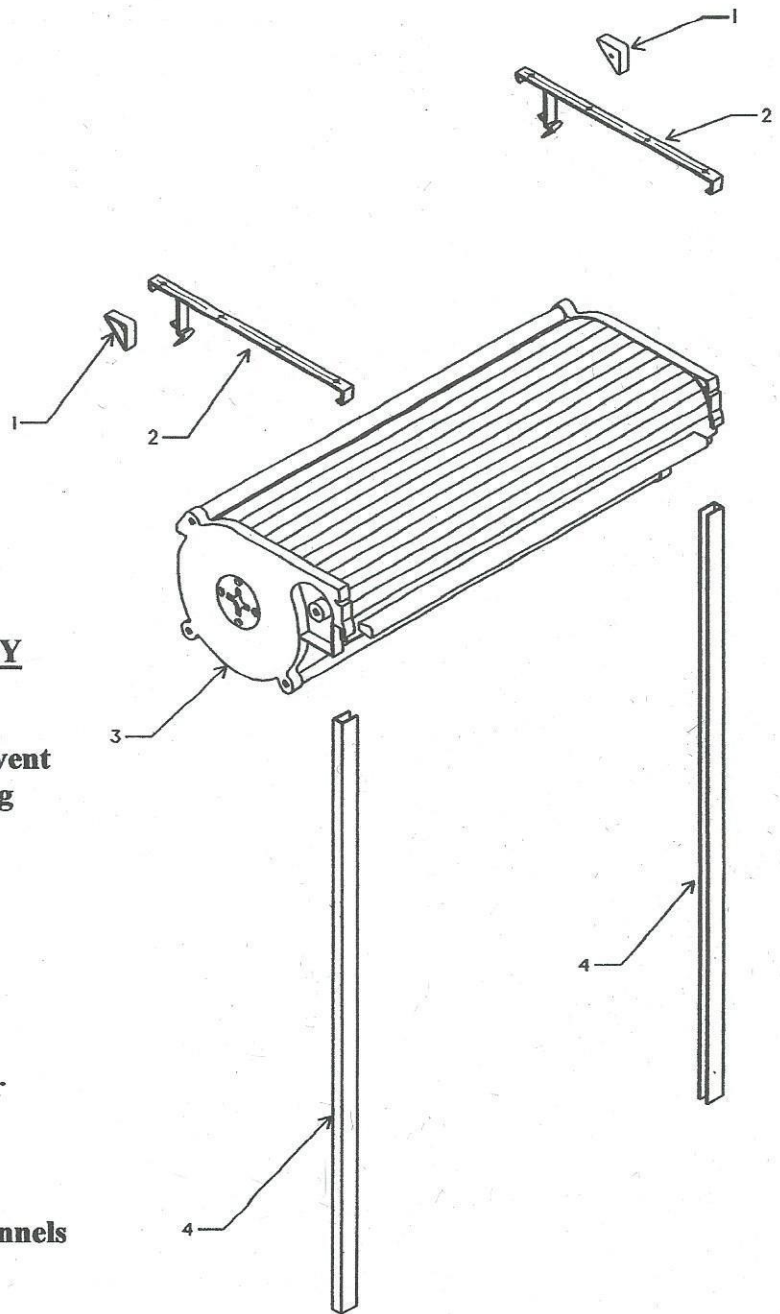


CONTENT LIST & FITTING INSTRUCTIONS FOR SHUTTER CASSETTE.



<u>DESCRIPTION</u>	<u>QTY</u>
--------------------	------------

- | | |
|----------------------------------------------------------------------------------------------------------------------|---|
| 1. <u>Transit Blocks</u>
These blocks are fitted to prevent the shutter cassette from being dislodged in transit. | 2 |
| 2. <u>Cassette Brackets</u>
Fixing brackets that hold the Shutter cassette. | 2 |
| 3. <u>Shutter Cassette</u>
Cassette that houses the roller shutter. | 1 |
| 4. <u>Guide Channels</u>
These are the "u" shaped channels that guide the shutter. | 2 |

FITTING INSTRUCTIONS

1. Fitting Brackets.

Position the cassette brackets to either side of the top panel and 2mm in from the front edge as in fig 1.

2. Fitting Cassette.

The cassette can now be fitted into the unit, place the front lip of the cassette bracket into the slot on the front edge of the shutter cassette. Push the cassette up from the rear to lock it in place. Now fit the transit blocks to the rear of the cassette bracket and fix with a screw as in fig 2.

3. Fitting Guide Channels.

It is very important that the guide channels are positioned correctly they must be pushed up to engage the cassette as shown in the enlarged diagram fig 3a. Finally lubricate the guide channels with Vaseline or a good quality wax furniture polish.

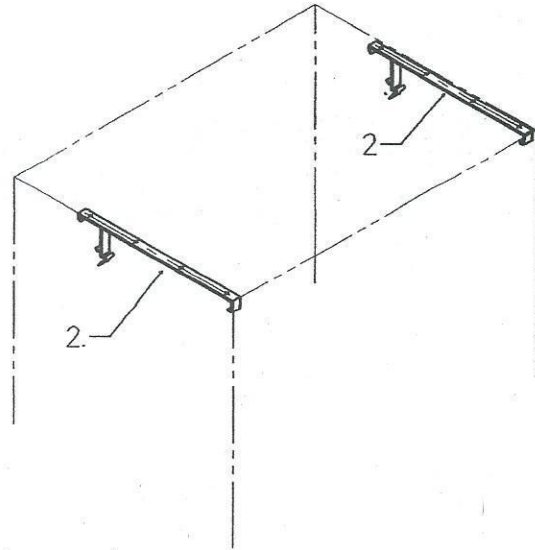


fig 1.

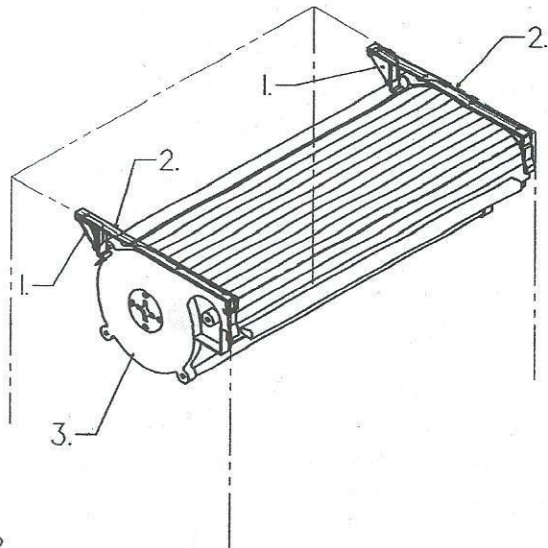


fig 2.

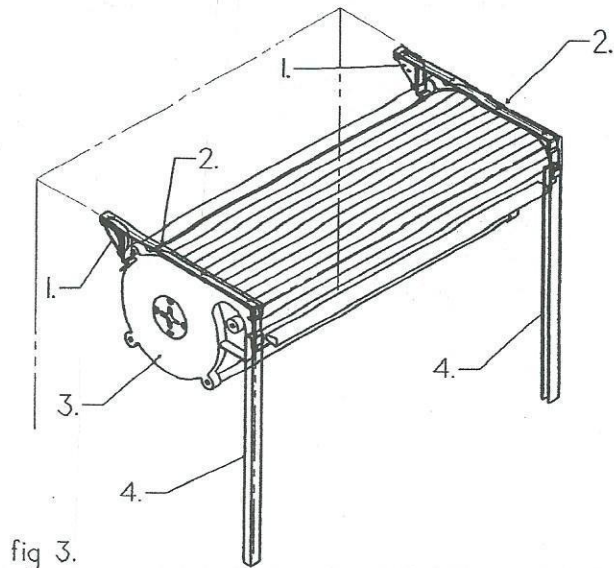
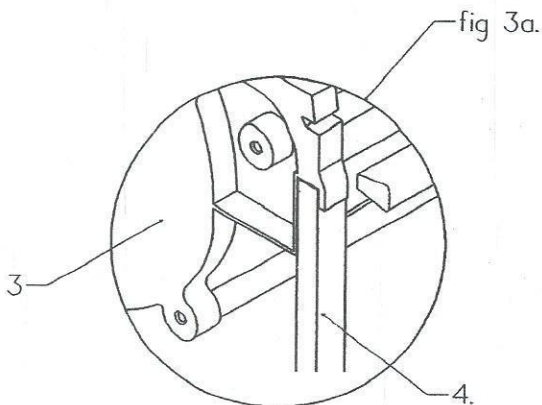


fig 3.