

FLAT-PACK KUBOX



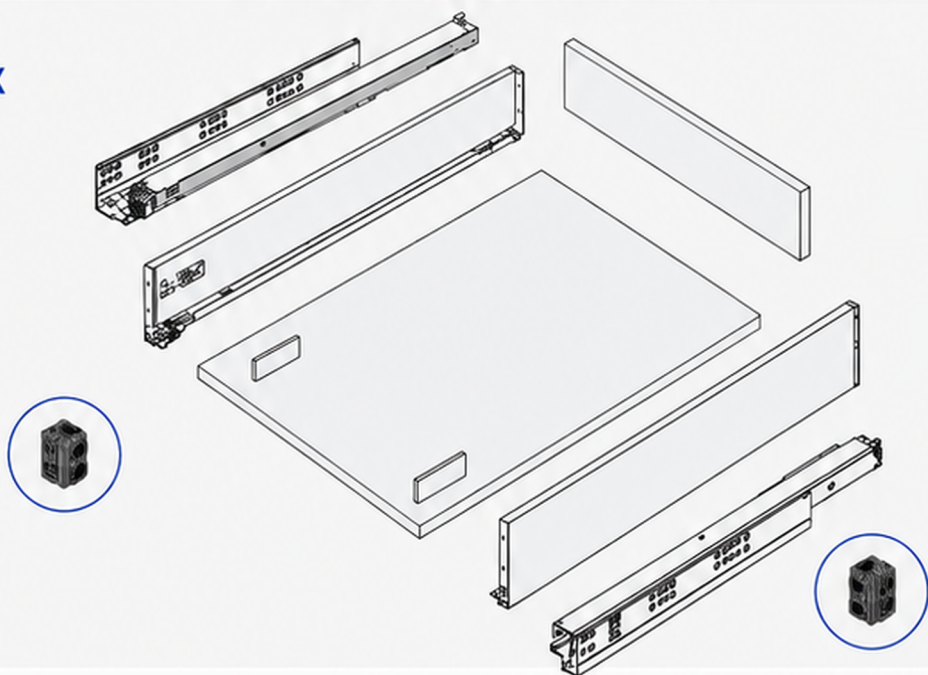
NO CUTTING. NO EDGING.
NO ADDITIONAL PREPARATION.
SIMPLY UNBOX, ASSEMBLE AND INSTALL.

4D - SOFT CLOSE

EVERYTHING YOU NEED IN ONE BOX

Each kit is supplied complete with:

- ✓ Premium anthracite drawer sides
- ✓ 4D - Soft-close runners
- ✓ Pre-cut & edged drawer base
- ✓ Pre-edged drawer back
- ✓ Assembly fittings



AVAILABLE HEIGHTS



90mm Drawer
Perfect for cutlery
and utensil storage.



175mm Drawer
Ideal for pan drawers
and larger storage solutions.

AVAILABLE FOR CABINET WIDTHS

400mm 500mm 600mm 800mm 900mm



FROM BOX TO DRAWER IN MINUTES

Flat-Pack KuBox combines the convenience of compact packaging with the quality and performance expected from a premium soft-close drawer system.

Unbox. Assemble. Install.



sales@ney.co.uk



024 7630 8100

NEY
ESTABLISHED 1965

PREMIUM COMPONENTS
FOR FURNITURE
MANUFACTURING