



**VIBO**  
Wire processing

Portata massima:  
Maximum load:  
Charge maxi:  
Maximale belastbarkeit:  
Carga maxima:

2  
Kg

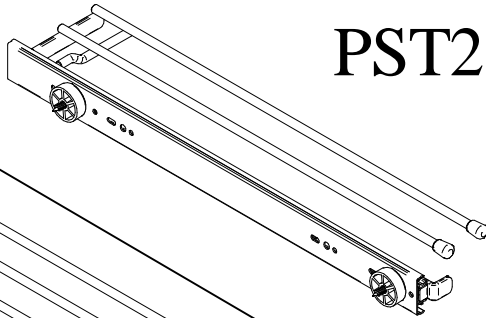
**Istruzioni di montaggio**

Assembling instructions

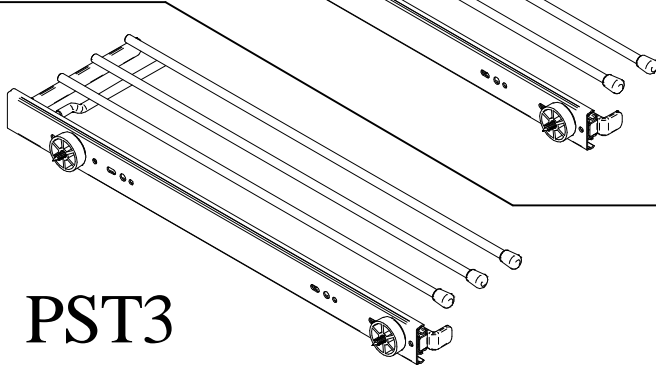
Notice de montage

Montageanleitung

Manual de montaje



PST2



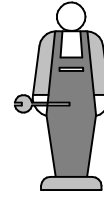
PST3

PST2

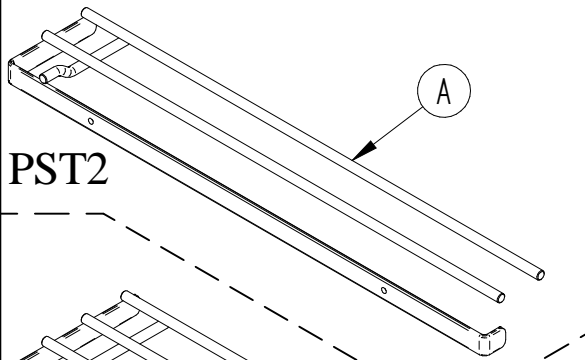
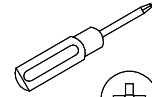
PST3



15 min

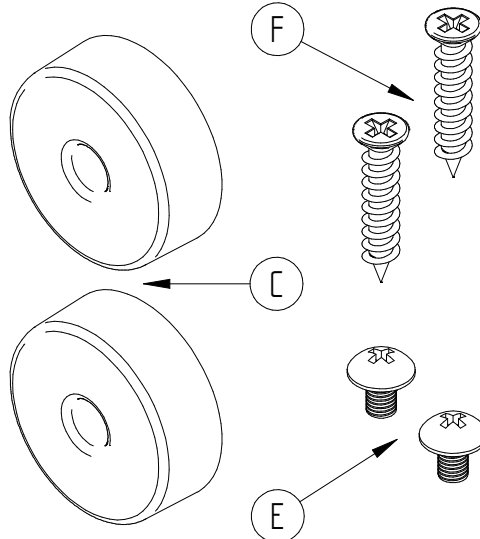
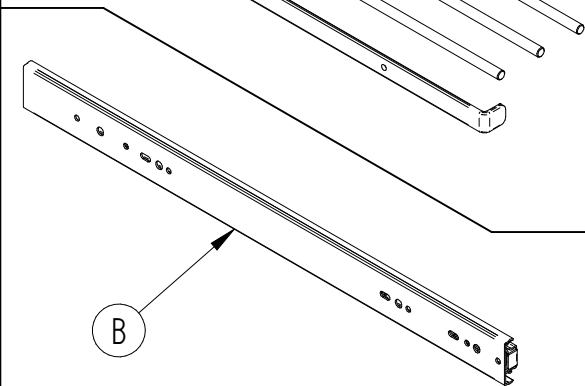


1



PST2

PST3



PST2

PST3

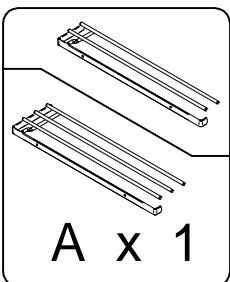
**PRIMA DI COMINCIARE,  
VEDERE I CONSIGLI DI  
MONTAGGIO**

BEFORE STARTING, REFER  
TO THE ASSEMBLING  
ADVICE IN ANNEX

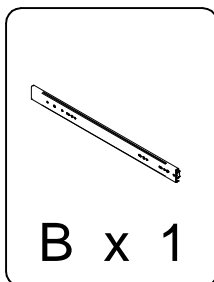
AVANT DE COMMENCER, SE  
REPORTER AUX CONSEILS  
DE MONTAGE EN ANNEXE

VOR DIE MONTAGE, BITTE  
BEILIEGENDE  
ANWEISUNGEN FOLGEN

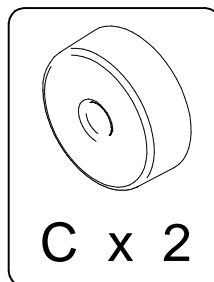
ANTES DE EMPEZAR  
CONSULTE LOS CONSEJOS  
PARA EL MONTAJE



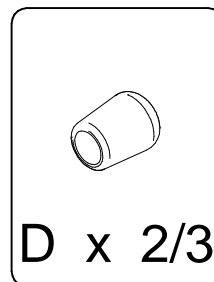
A x 1



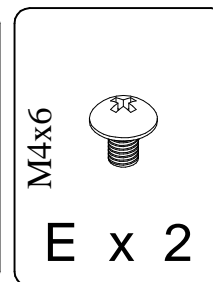
B x 1



C x 2

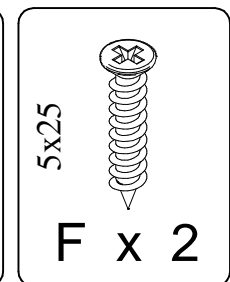


D x 2/3



M4x6

E x 2



5x25

F x 2

