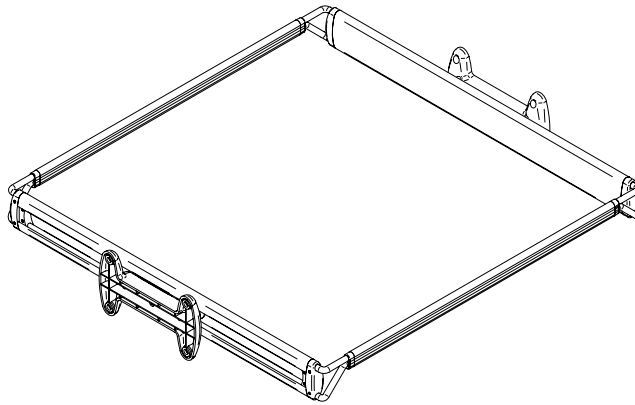


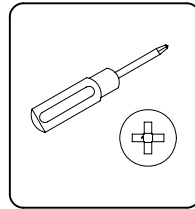
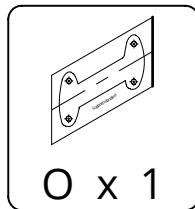
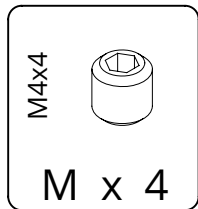
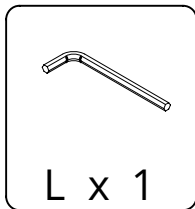
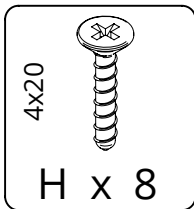
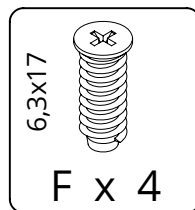
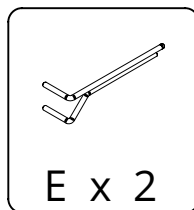
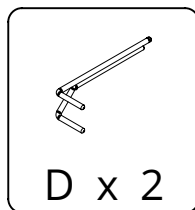
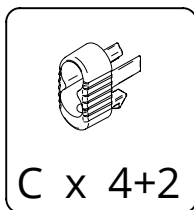
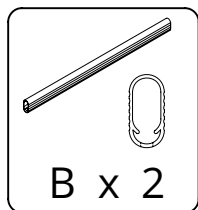
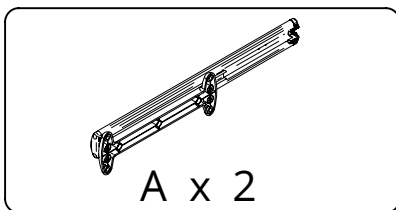
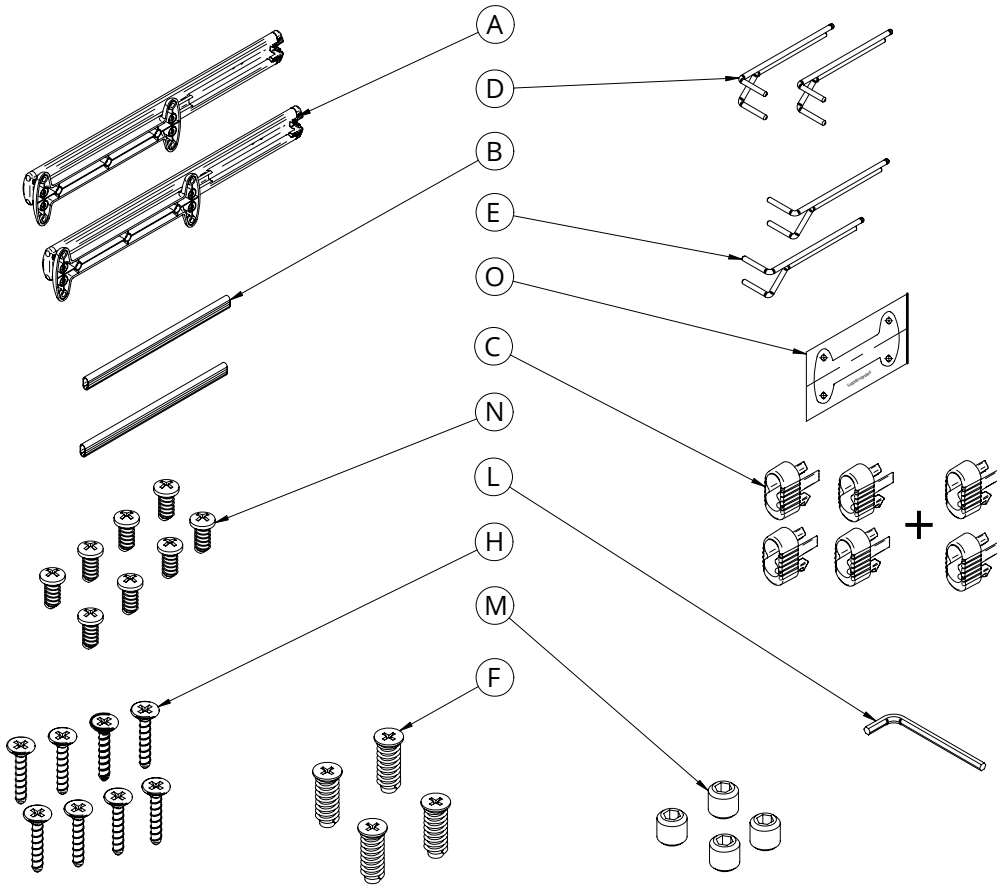


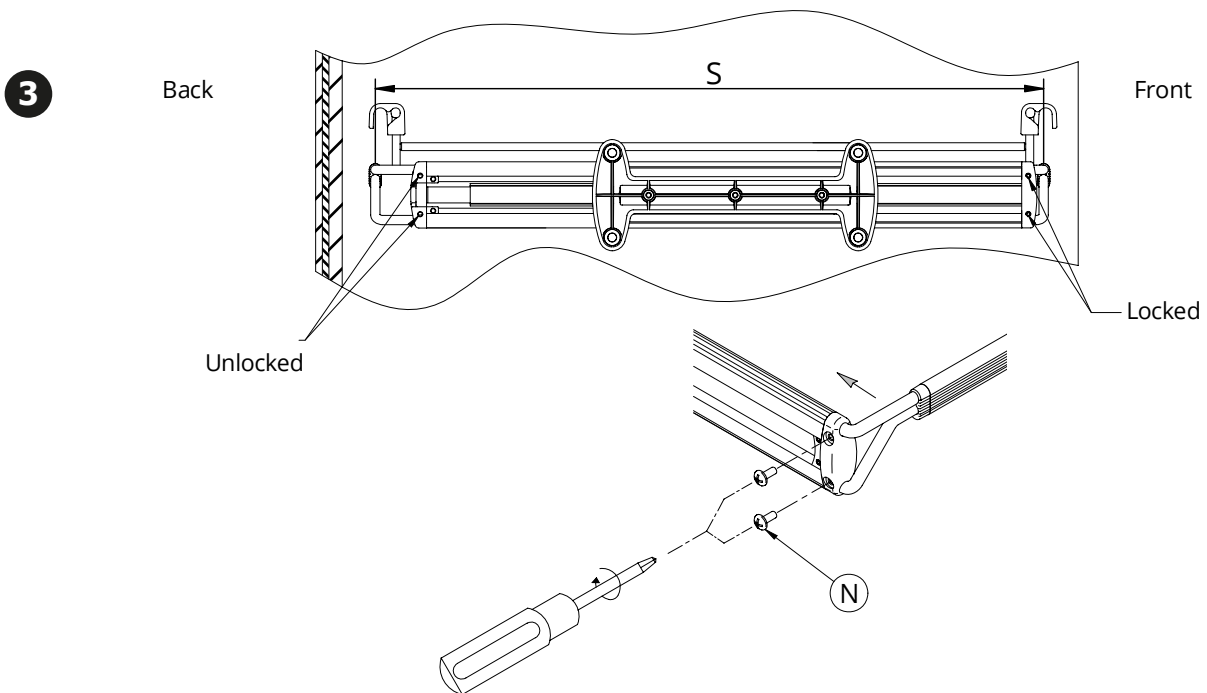
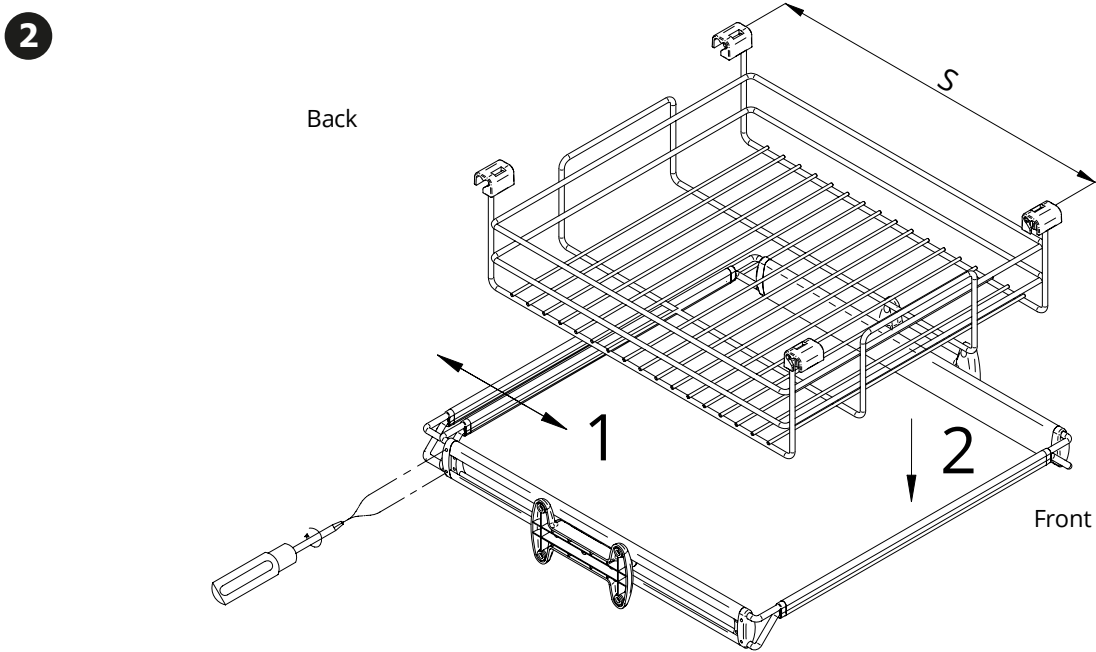
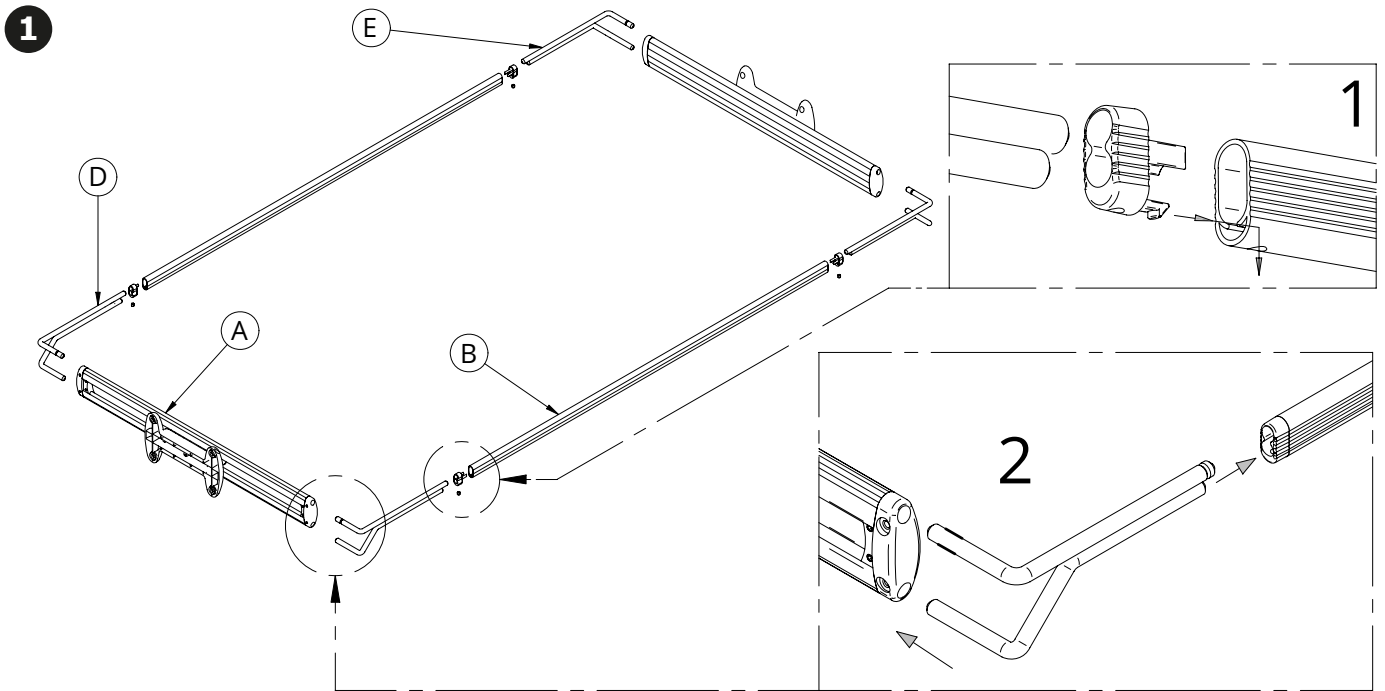
Installation Diagram for Eco Pivoting Hinge

10kg
max load

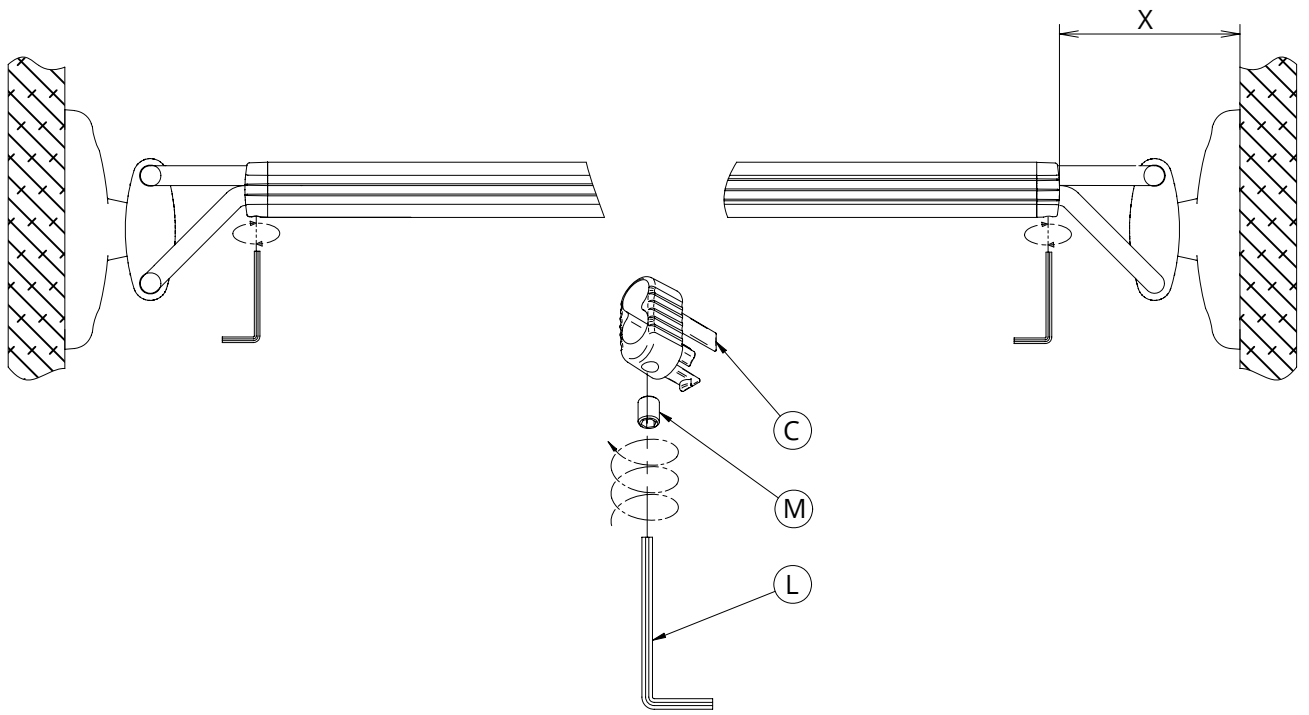


Parts

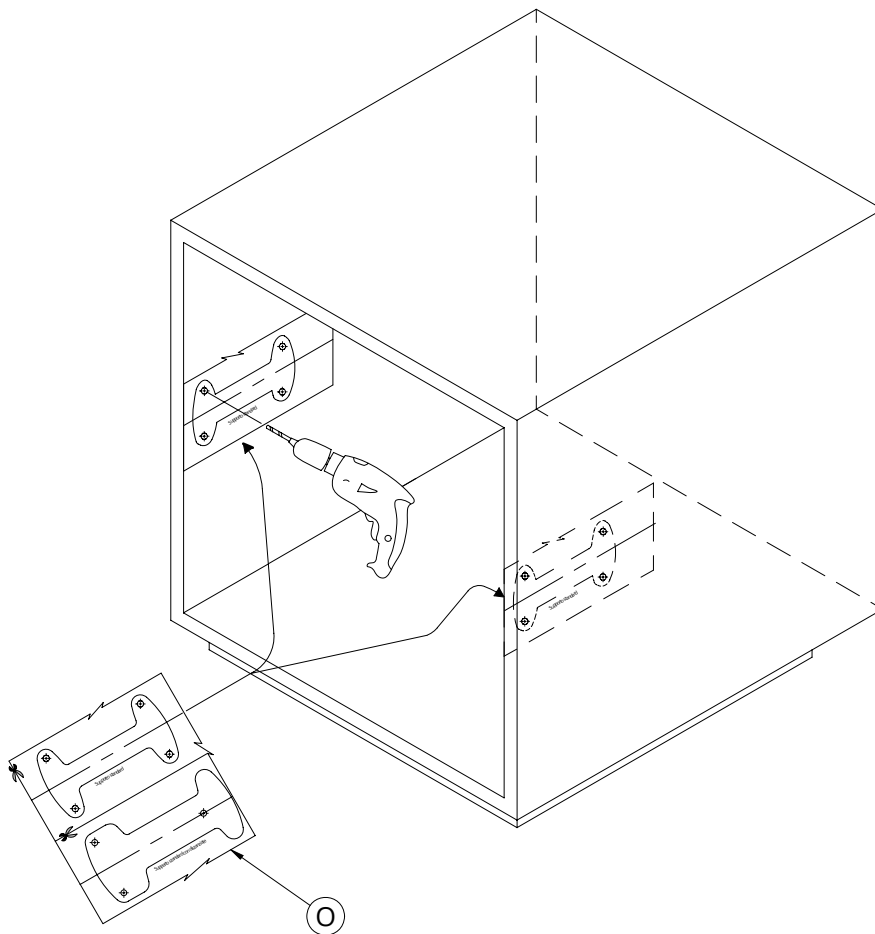


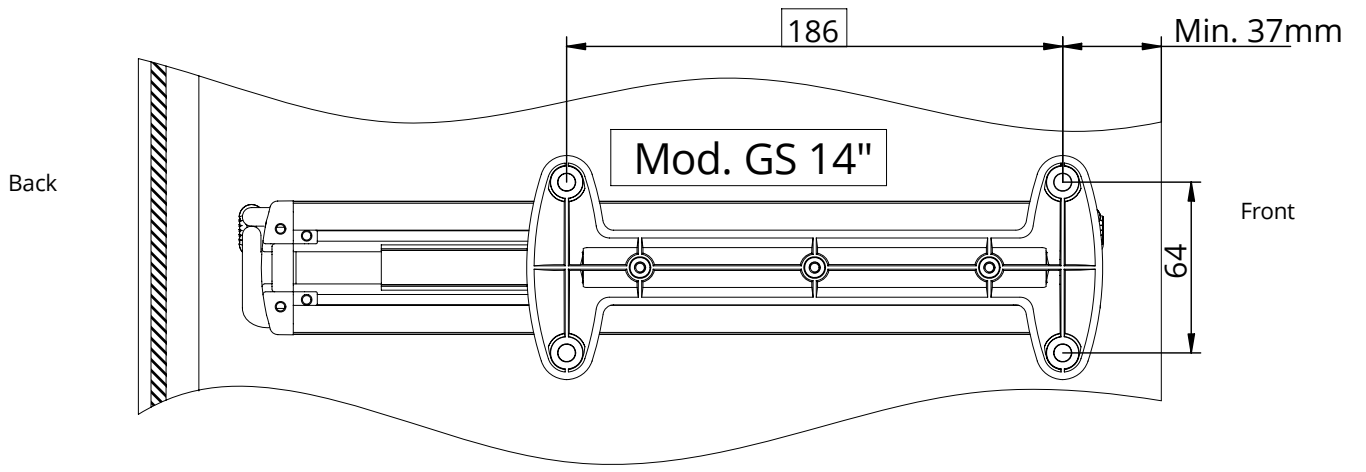
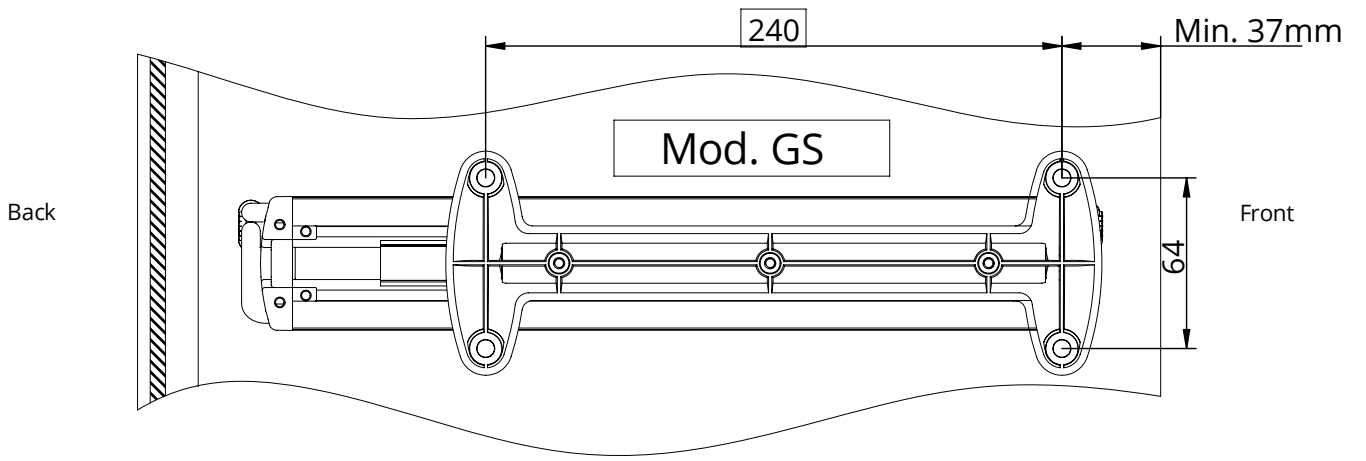


4



5





6

