



# **ASSEMBLY INFORMATION**

**for the**

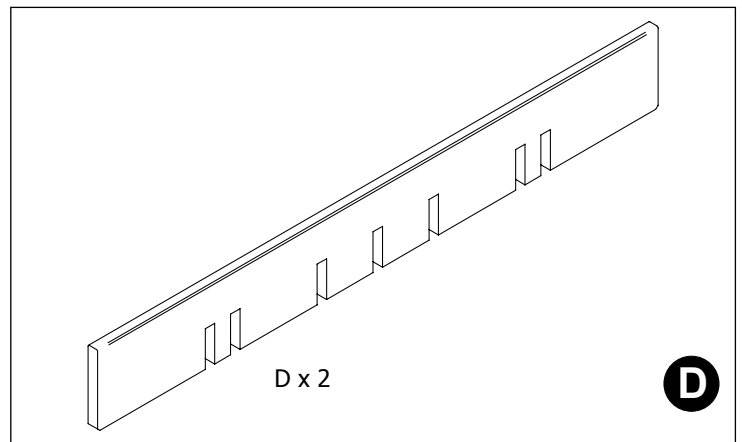
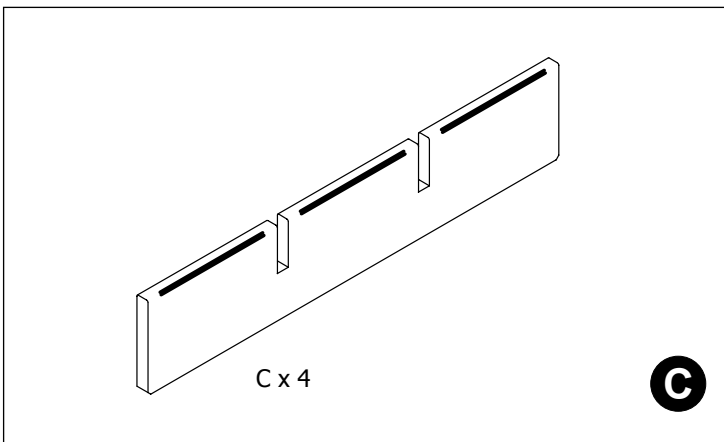
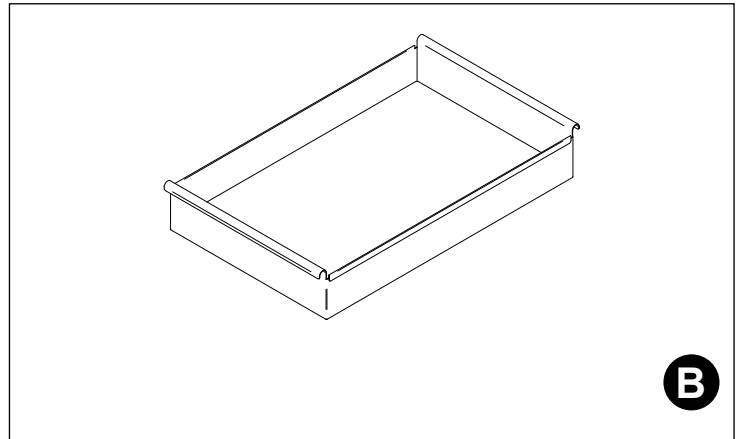
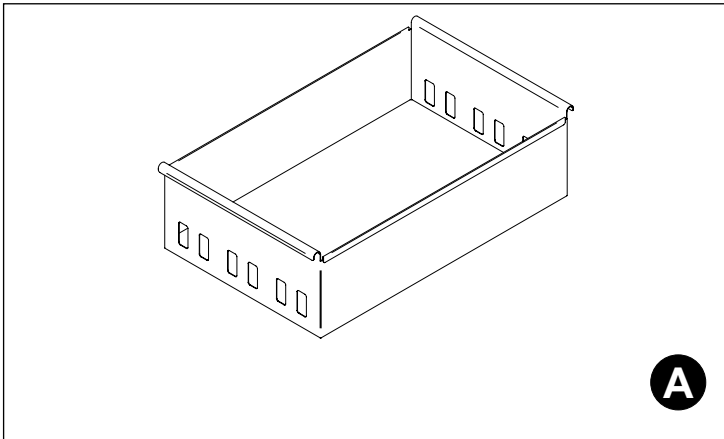
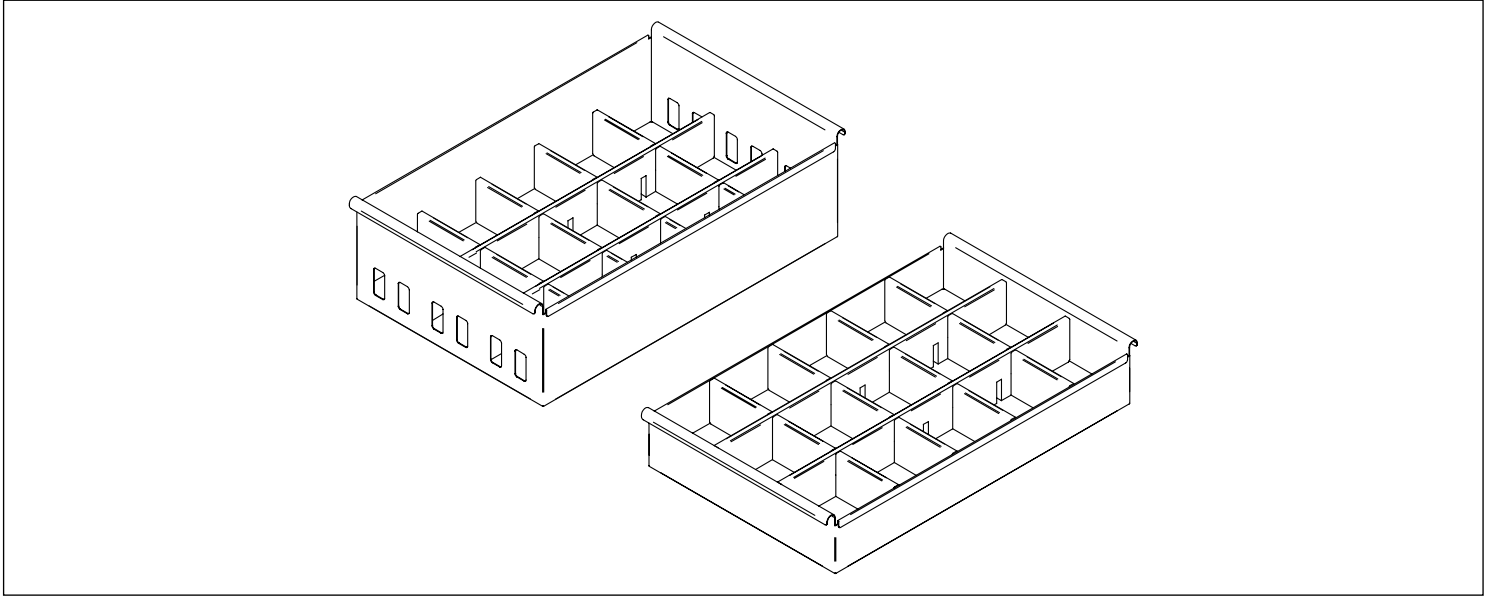
## **Tie and Belt Organiser**

### **Contents:**

- Parts Required for the Tie and Belt Organiser 2
- Assembly of the Tie and Belt Organiser to Trays 3

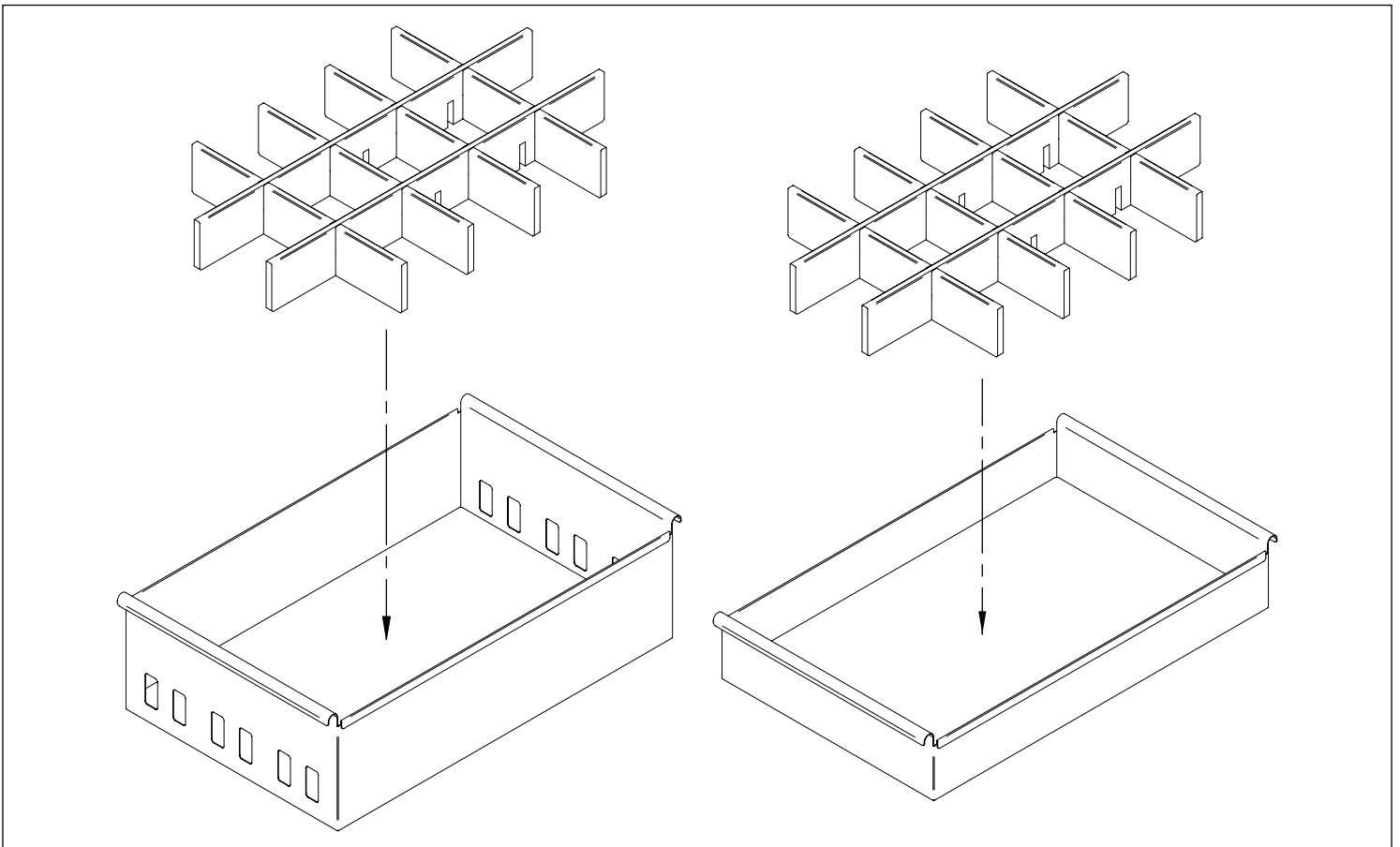
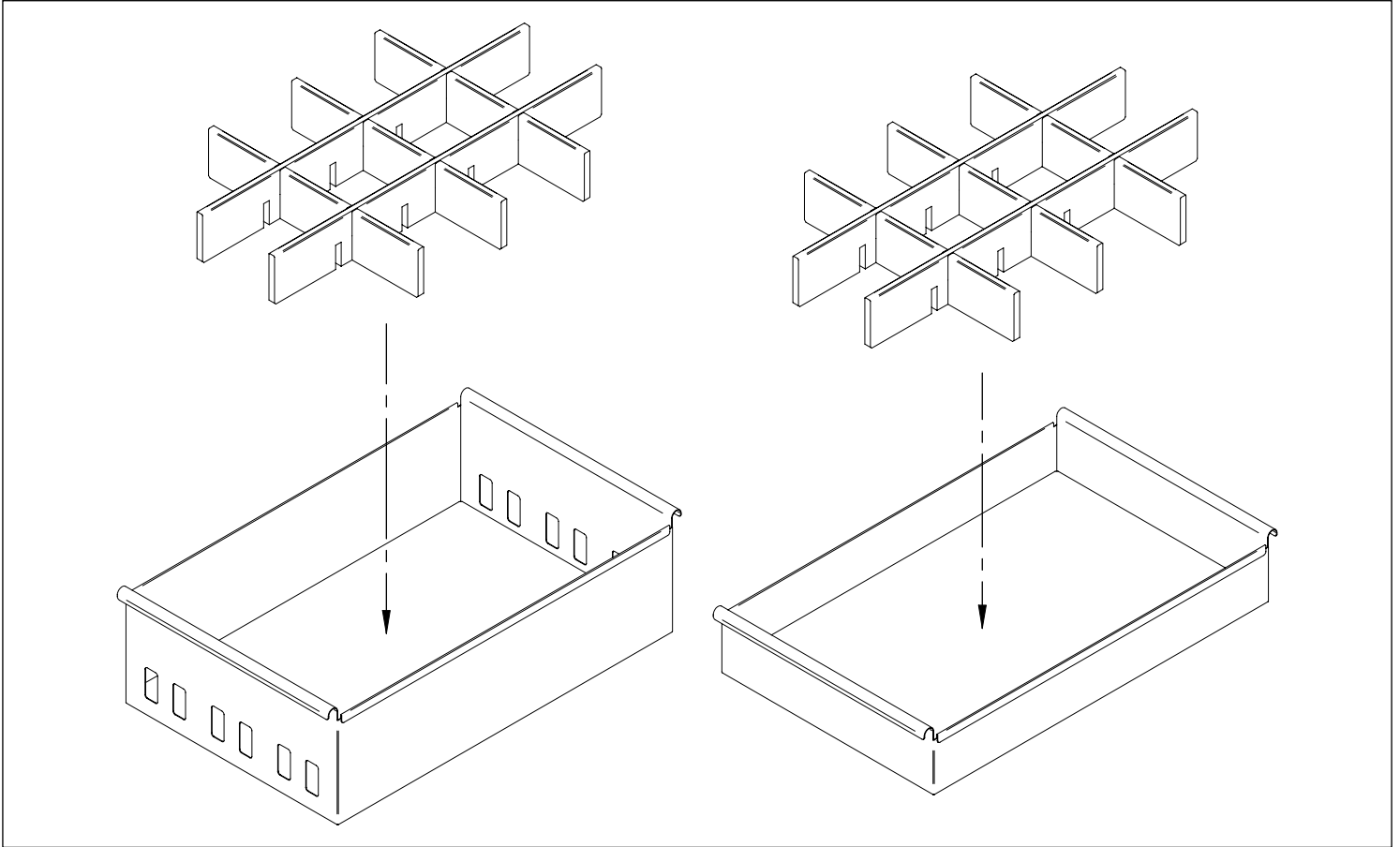
# Tie and Belt Organiser

## Parts Required for the Assembly of the Tie and Belt Organiser into a Vibo elite and eco Trays



# Tie and Belt Organiser

## Assembly of the Tie and Belt Organiser into a Vibo elite and eco Trays





MACHINERY - MATERIALS - COMPONENTS - ADHESIVES - FOILS - PANELS - DOORS

**NEY Ltd (Head Office)**

Stonebridge Trading Estate  
Sibree Road  
Coventry  
CV3 4FD

**t** 024 7630 8100  
**f** 024 7630 8101  
**e** sales@ney.co.uk

**NEY Ireland**

Unit 22 Blaris Ind Estate  
Altona Road  
Lisburn  
BT27 5QB

**t** 028 92 673 000  
**f** 028 92 672 999  
**e** ireland@ney.co.uk

**NEY Scotland**

Block 2 Units 1-2-3  
Bandeath Ind Est  
Throsk, Stirling  
FK7 7NP

**t** 01786 814 814  
**f** 01786 814 812  
**e** scotland@ney.co.uk