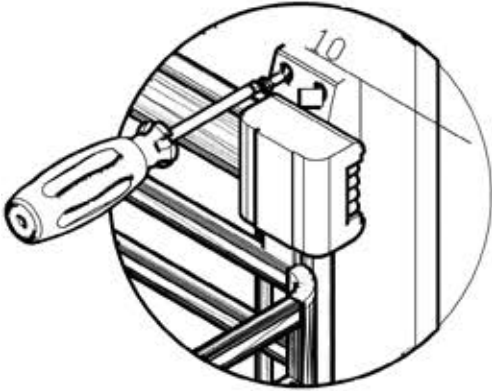




3 Tier Basket Pull-Out Mounting Instructions

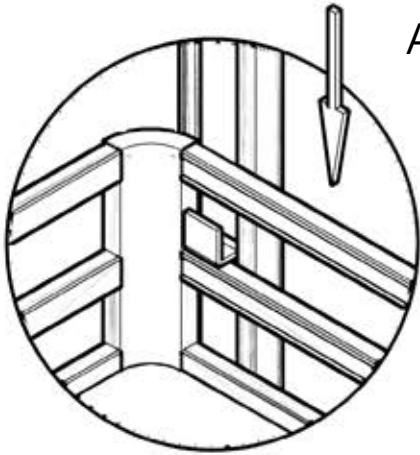
Image A

A - 1

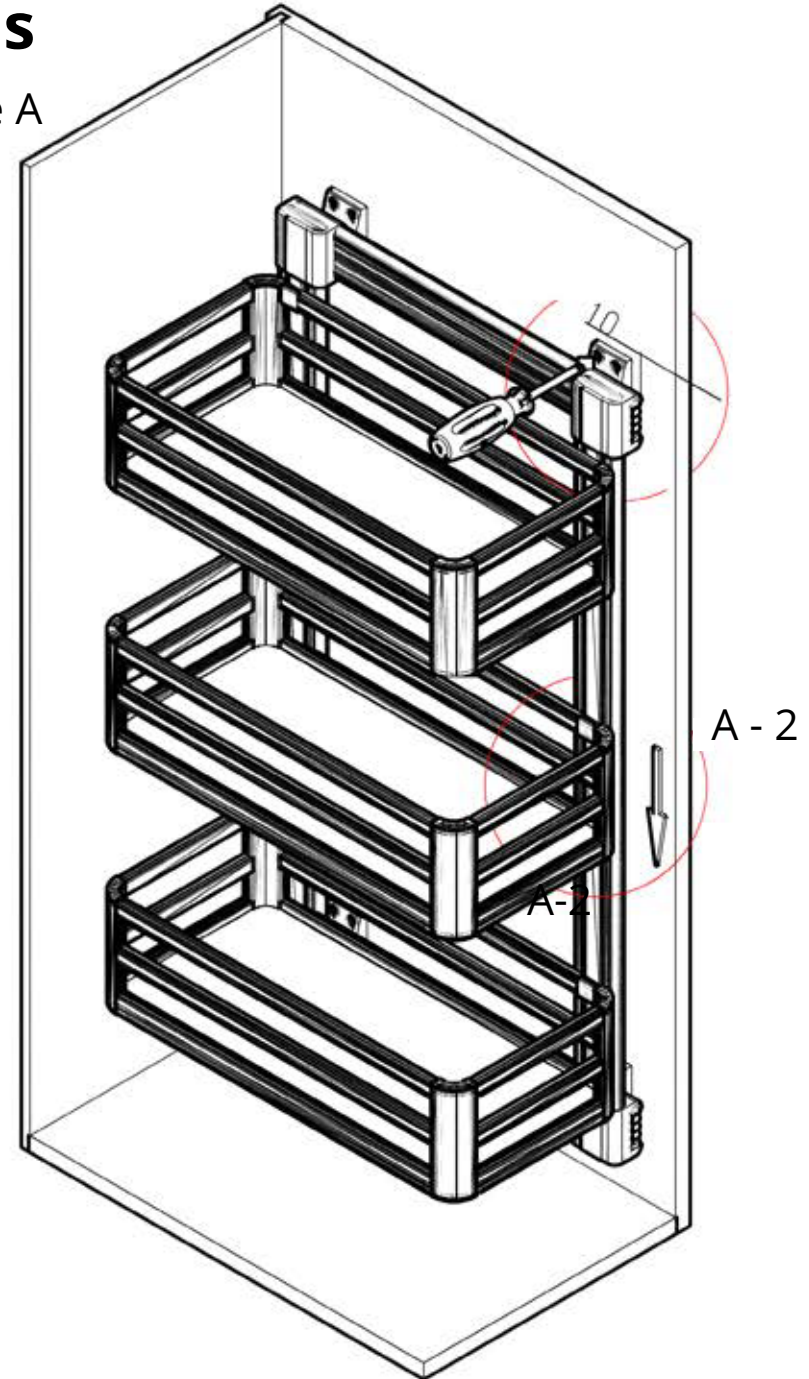


1. Fix to mechanism leaving a distance of 10mm from the front of the carcass to the start of the connection plastic mechanism as shown in diagram (A-1).

A - 2



2. Slip the shelves on to the brackets of the frame, (A-2).



Parts Inc.
Shelves
Rails
Chipboard Screws 3.5 x16

3 Pcs
1 Set
8 Pcs