

# ASSEMBLY INFORMATION

for the



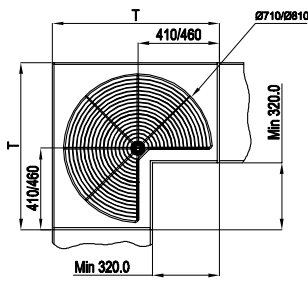
## 3/4 Carousel - 900mm x 900mm Cabinet

### Contents:

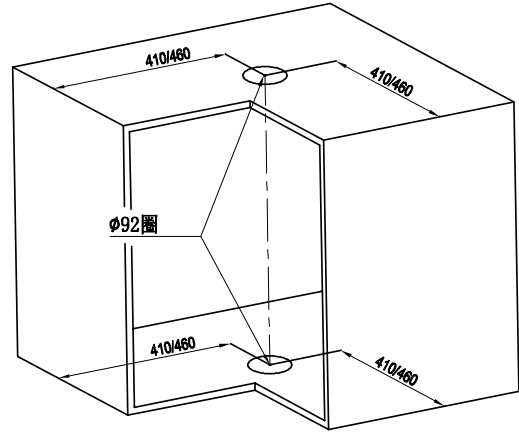
- Carousel Instructions 2

## Assembly Instructions

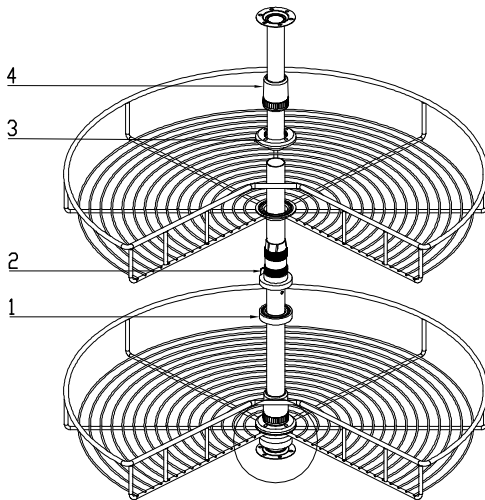
Step 1 : Shown as the picture below draw a down board respectively.



Parts name	Simple picture	Quantity
Down tube		1
Up tube		1
Plastic part 1#		2
Plastic part 2#		2
Plastic part 3#		2
Plastic part 4#		2
Bolt		2
S73 916 Halfboard tapping screw		10

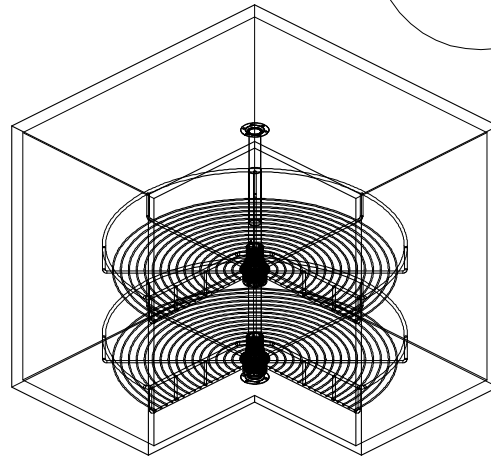
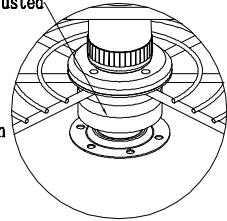


Step 2 : Fix baskets on the tube and take notes on the order of the plastic parts.

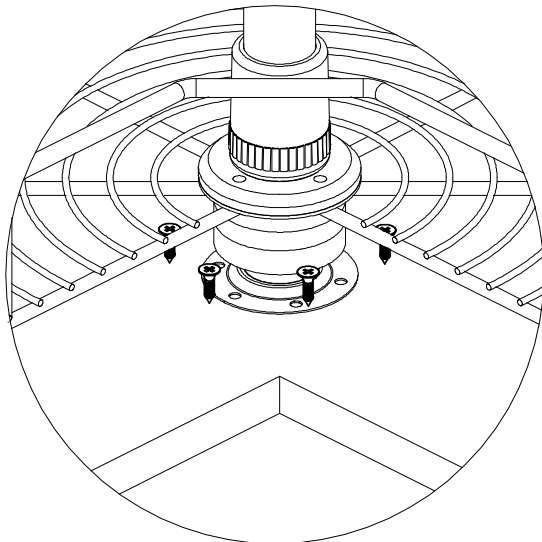


When the indicated part is fully closed in static state the basket angle can be adjusted using the two holes.

Step 3 : According the circles drawn the whole basket can be fixed inside the cabinet and then adjust , the baskets angles.

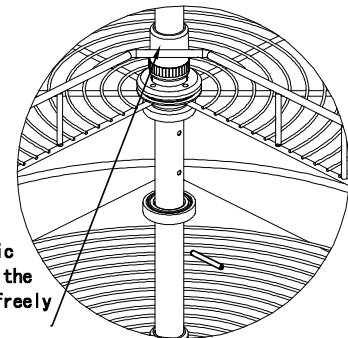


Step 4 : Fix the top and bottom of the tubes with the screw.



Step 5 : Adjust the height of basket and fix it with the boles , then screw the plastic parts.

When screwing the plastic part 4, please make sure the basket can be revolved freely and not be locked.





MACHINERY - MATERIALS - COMPONENTS - ADHESIVES - FOILS - PANELS - DOORS

**NEY Ltd (Head Office)**

Stonebridge Trading Estate  
Sibree Road  
Coventry  
CV3 4FD

**t** 024 7630 8100  
**f** 024 7630 8101  
**e** sales@ney.co.uk

**NEY Ireland**

Unit 22 Blaris Ind Estate  
Altona Road  
Lisburn  
BT27 5QB

**t** 028 92 673 000  
**f** 028 92 672 999  
**e** ireland@ney.co.uk

**NEY Scotland**

Block 2 Units 1-2-3  
Bandeath Ind Est  
Throsk, Stirling  
FK7 7NP

**t** 01786 814 814  
**f** 01786 814 812  
**e** scotland@ney.co.uk