

# ASSEMBLY INSTRUCTIONS

For:

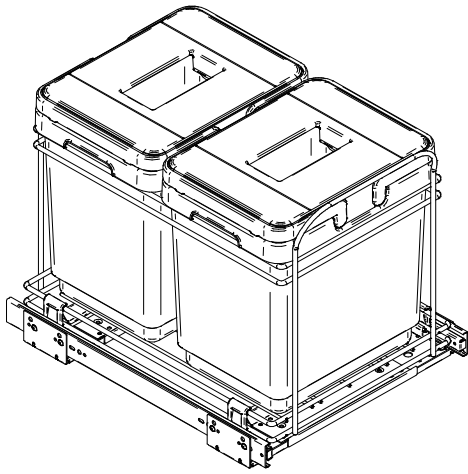


## Waste Bins

### Contents:

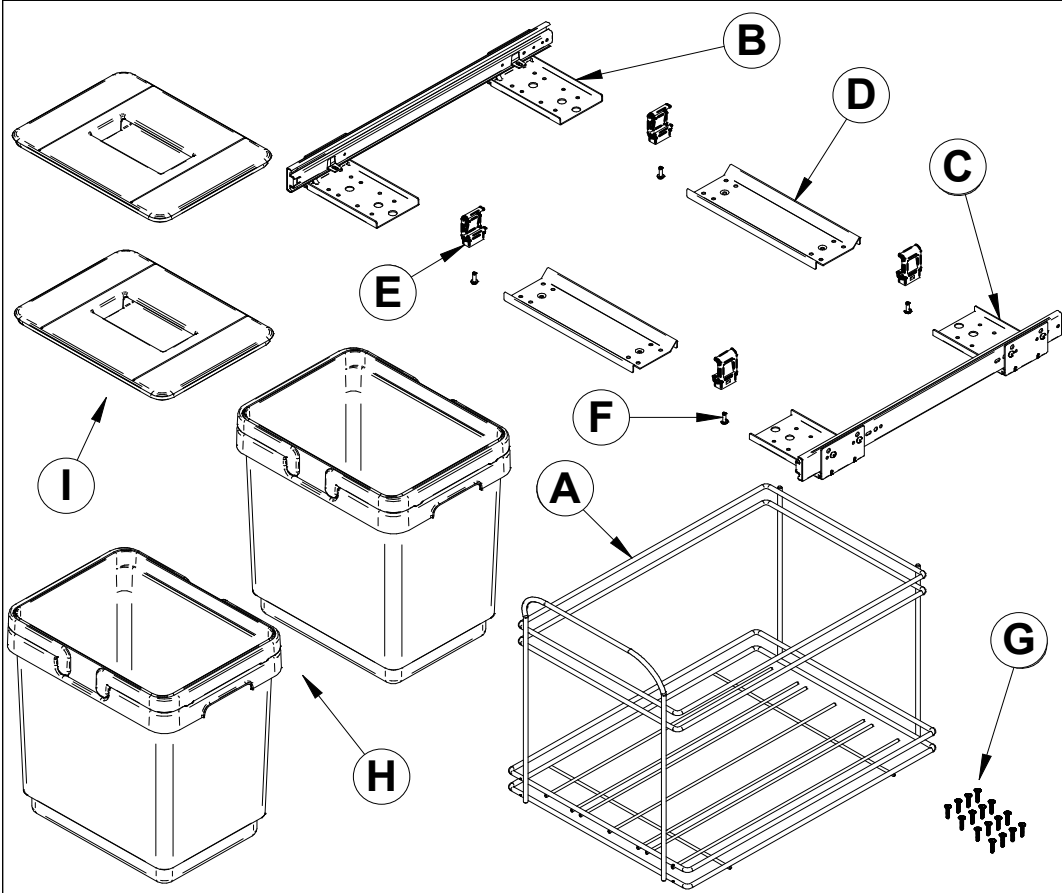
- Parts and Materials Required 2
- Assembly Instructions 3
- Assembly Instructions 4
- Assembly Instructions 5

## Parts and Materials Required



# 30 kg

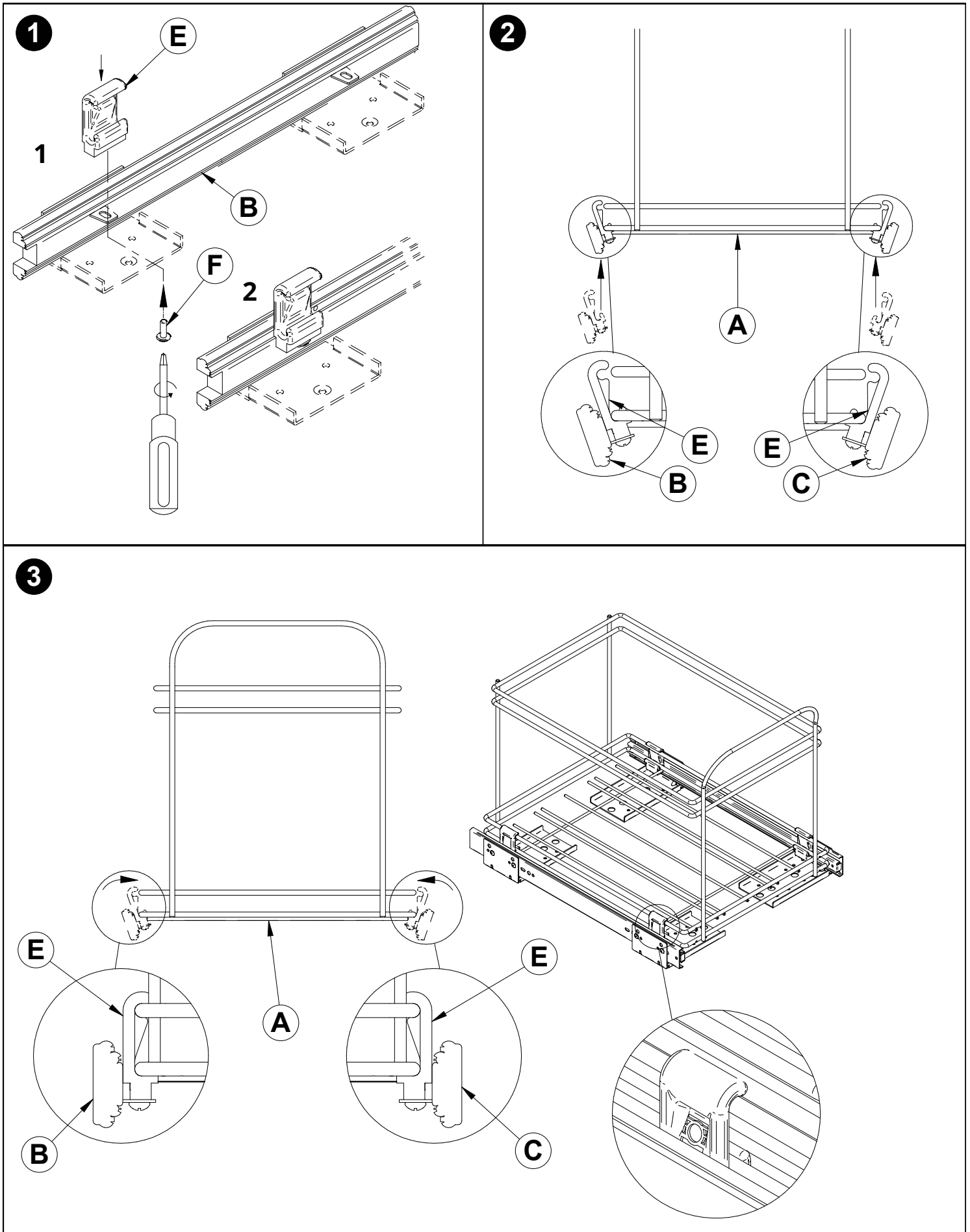
|         |   |  |  |
|---------|---|--|--|
| 15 min. | 1 |  |  |
|---------|---|--|--|



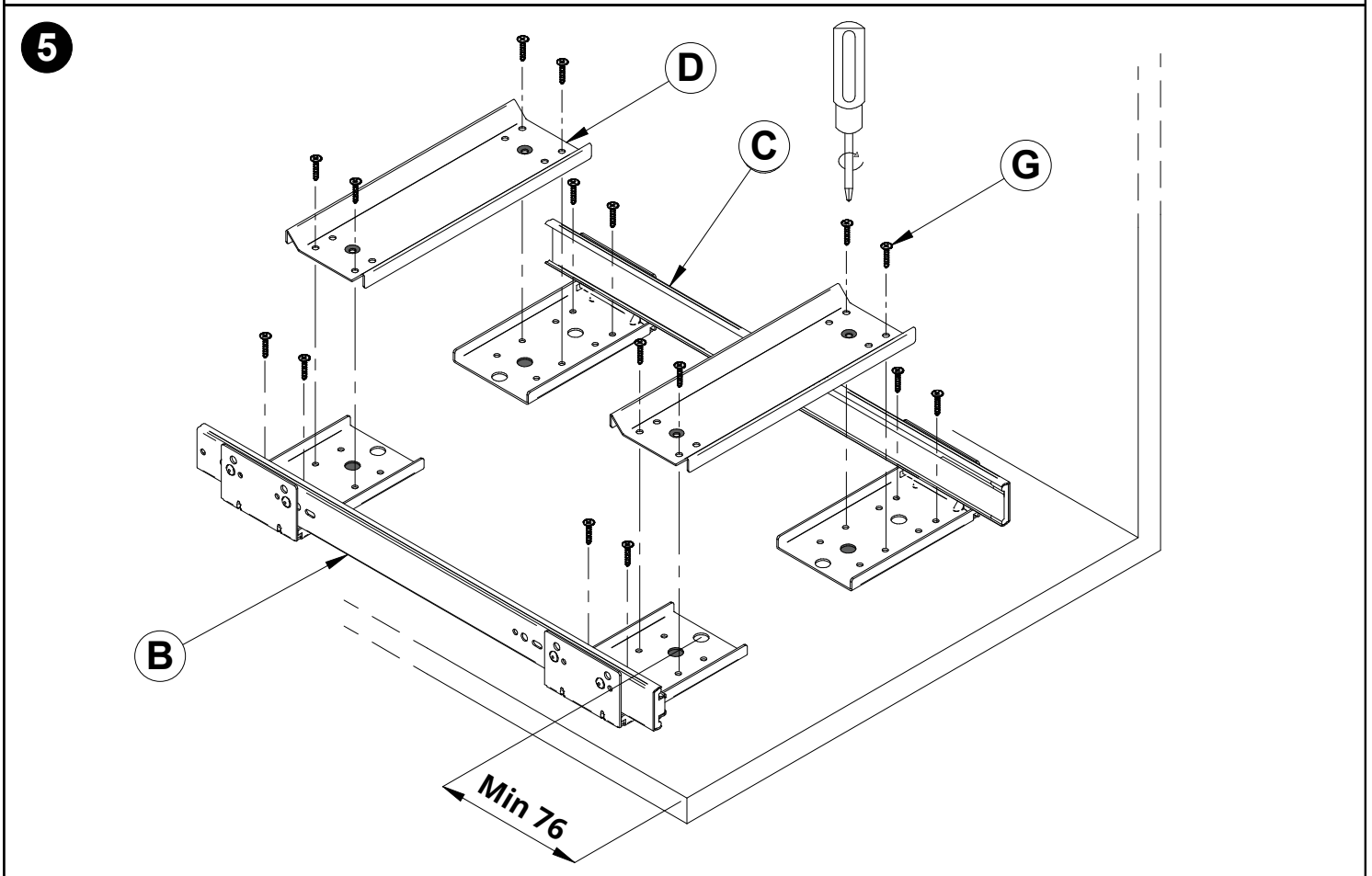
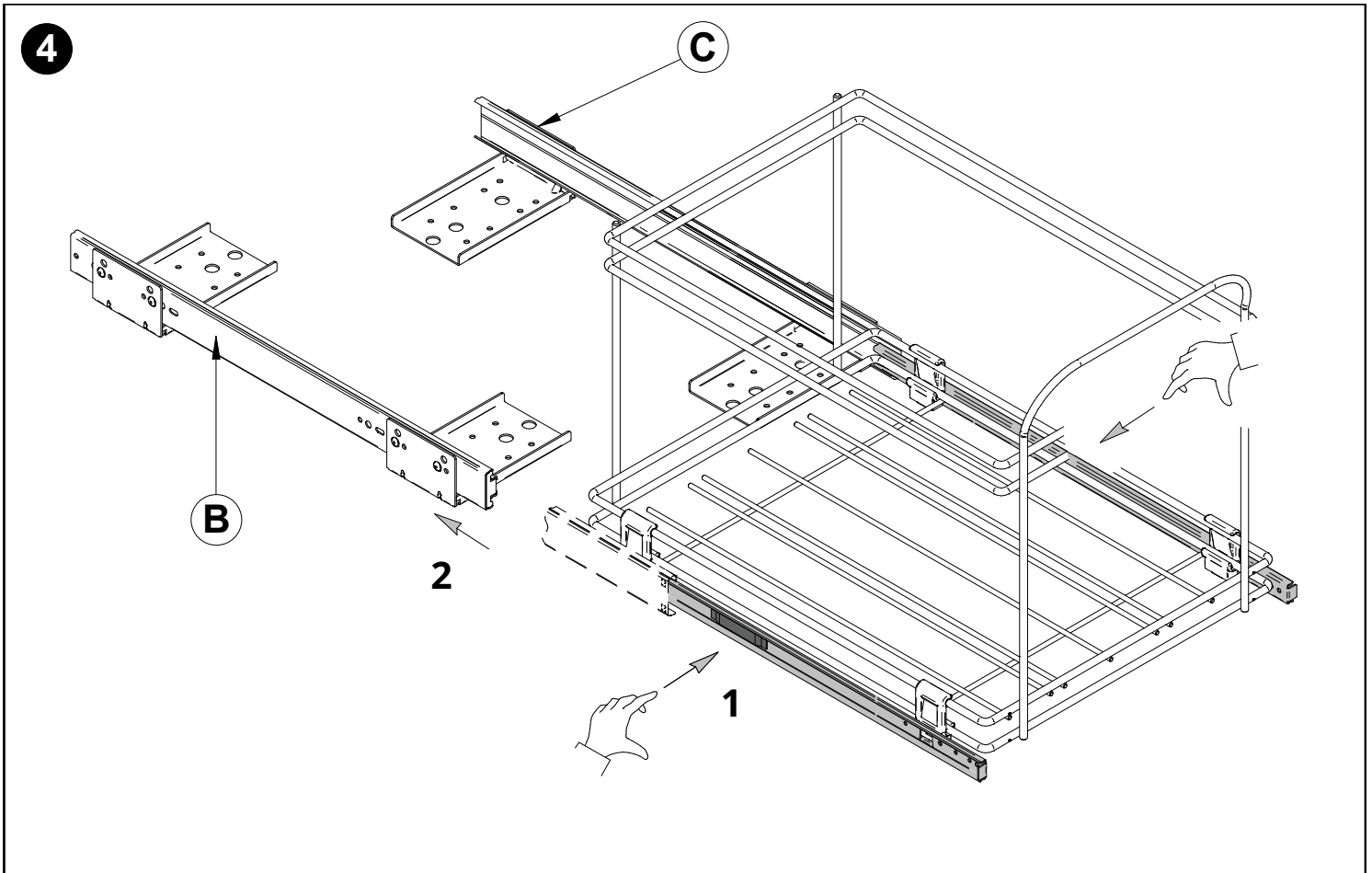
BEFORE STARTING, REFER TO THE ASSEMBLING ADVICE IN ANNEX

|       |         |       |       |             |             |
|-------|---------|-------|-------|-------------|-------------|
| A x 1 | B-C x 1 | D x 2 | E x 4 | M4x12 F x 4 | 4x16 G x 16 |
| H x 2 | I x 2   |       |       |             |             |

## Assembly Instructions

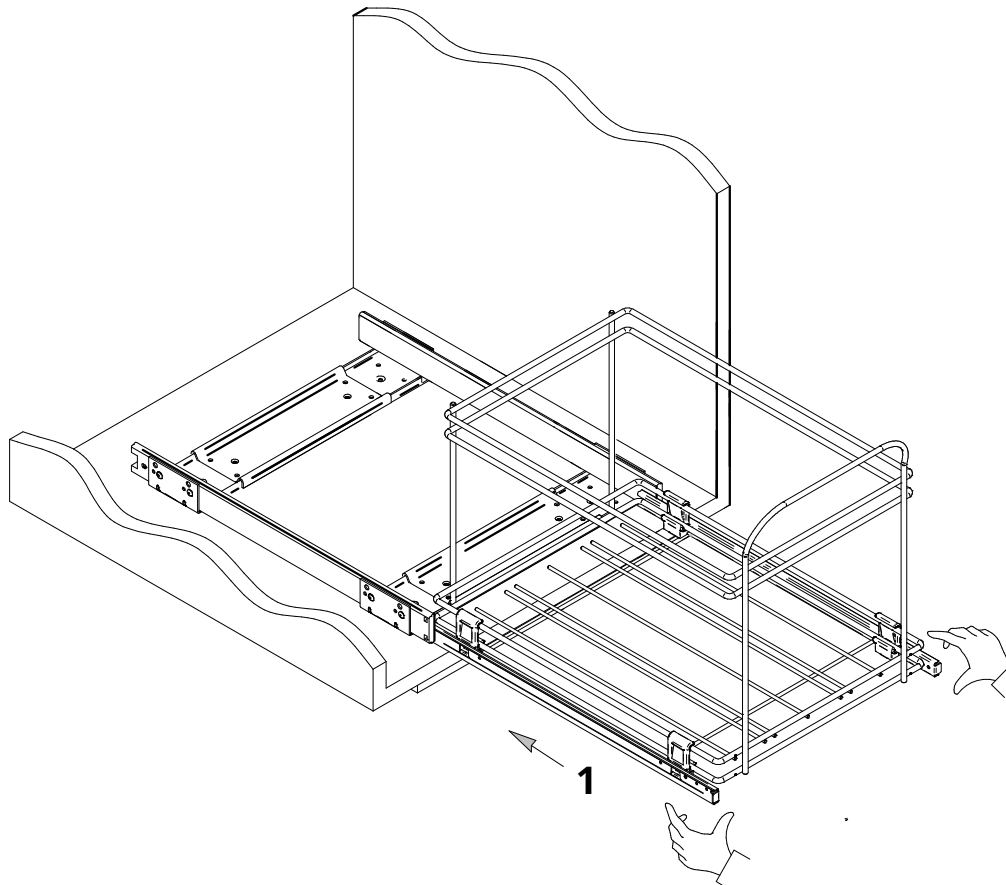


## Assembly Instructions

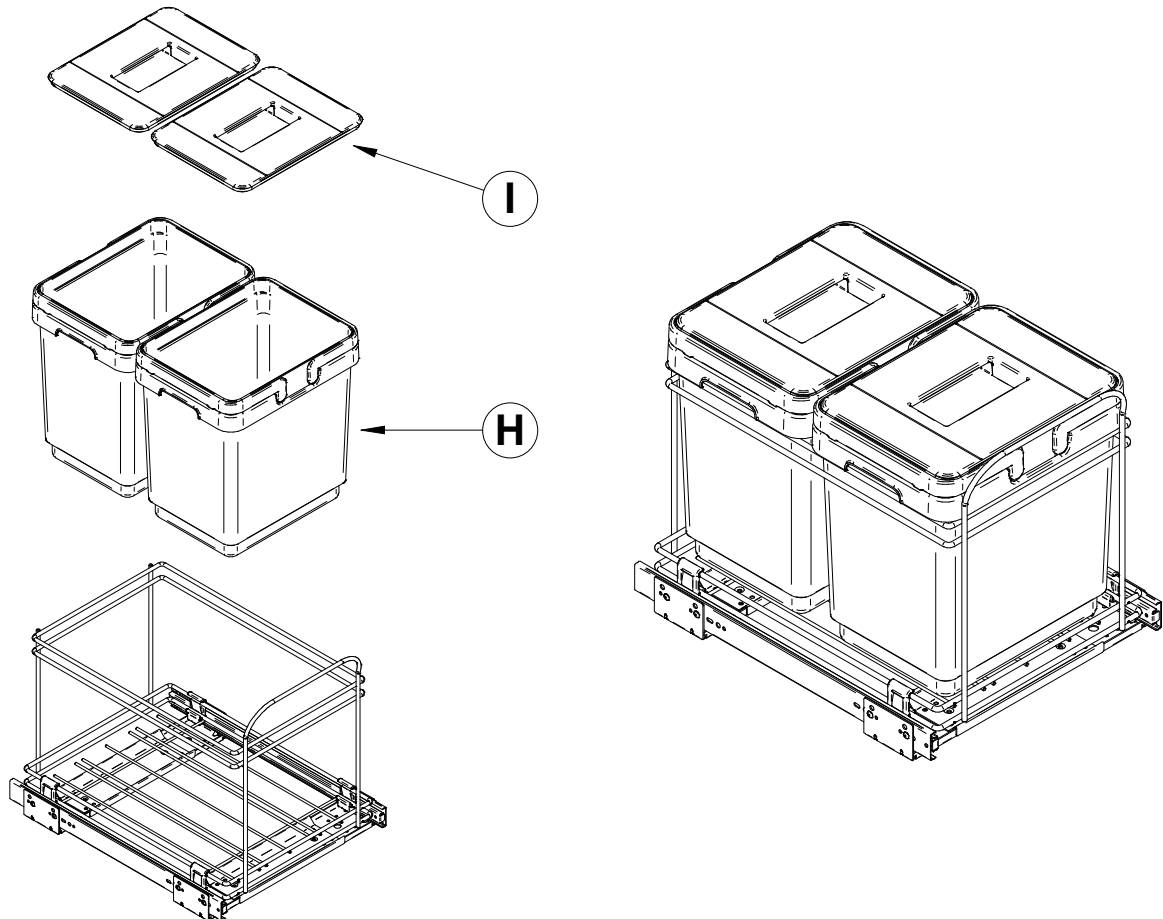


## Assembly Instructions

6



7





MACHINERY - MATERIALS - COMPONENTS - ADHESIVES - FOILS - PANELS - DOORS

**NEY Ltd (Head Office)**

Stonebridge Trading Estate  
Sibree Road  
Coventry  
CV3 4FD

**t** 024 7630 8100  
**f** 024 7630 8101  
**e** sales@ney.co.uk

**NEY Ireland**

Unit 22 Blaris Ind Estate  
Altona Road  
Lisburn  
BT27 5QB

**t** 028 92 673 000  
**f** 028 92 672 999  
**e** ireland@ney.co.uk

**NEY Scotland**

Block 2 Units 1-2-3  
Bandeath Ind Est  
Throsk, Stirling  
FK7 7NP

**t** 01786 814 814  
**f** 01786 814 812  
**e** scotland@ney.co.uk