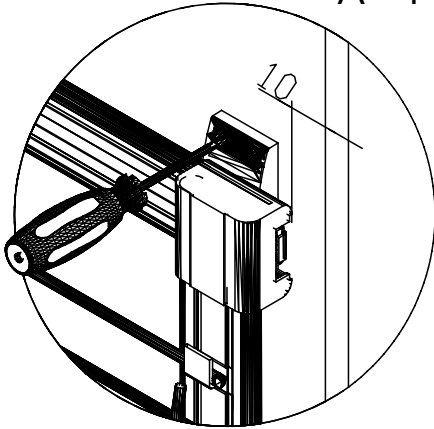




2 Tier Shoe Rack Mounting Instructions

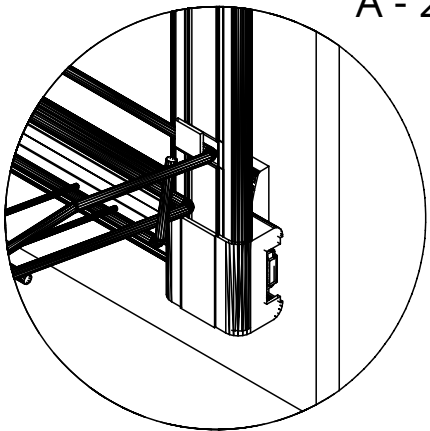
Image A

A - 1



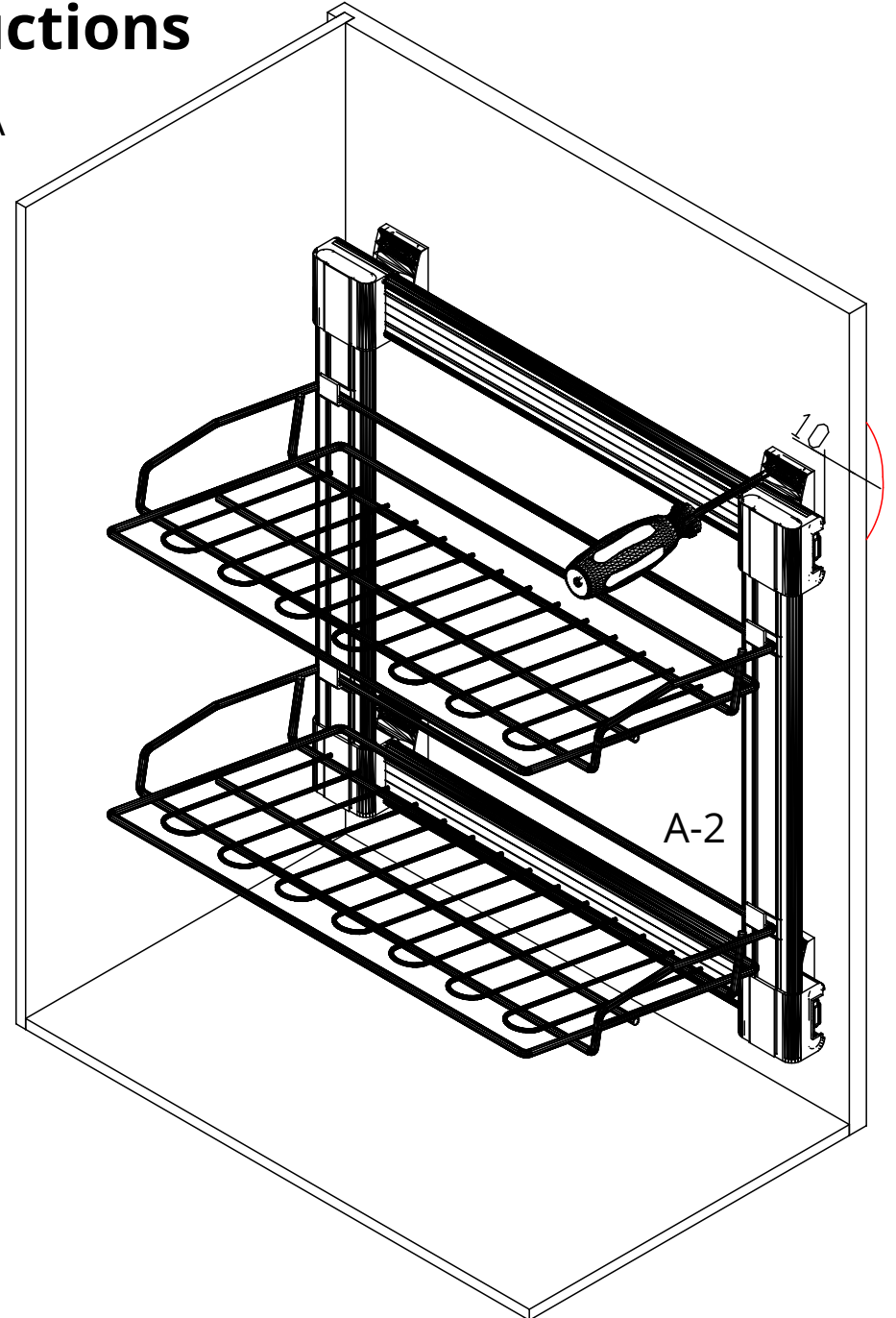
1. Fix to mechanism of shoes at a distance of 10mm in front of the module from connection plastic in module (A-1).

A - 2



2. Attach to shelves of shoe holder on hang of plastic (A-2).

[Click to working of mechanism.](#)



Parts Inc.
Shoe Shelves
Rails
Chipboard Screws 3.5 x16

2 Pcs
1 Set
8 Pcs