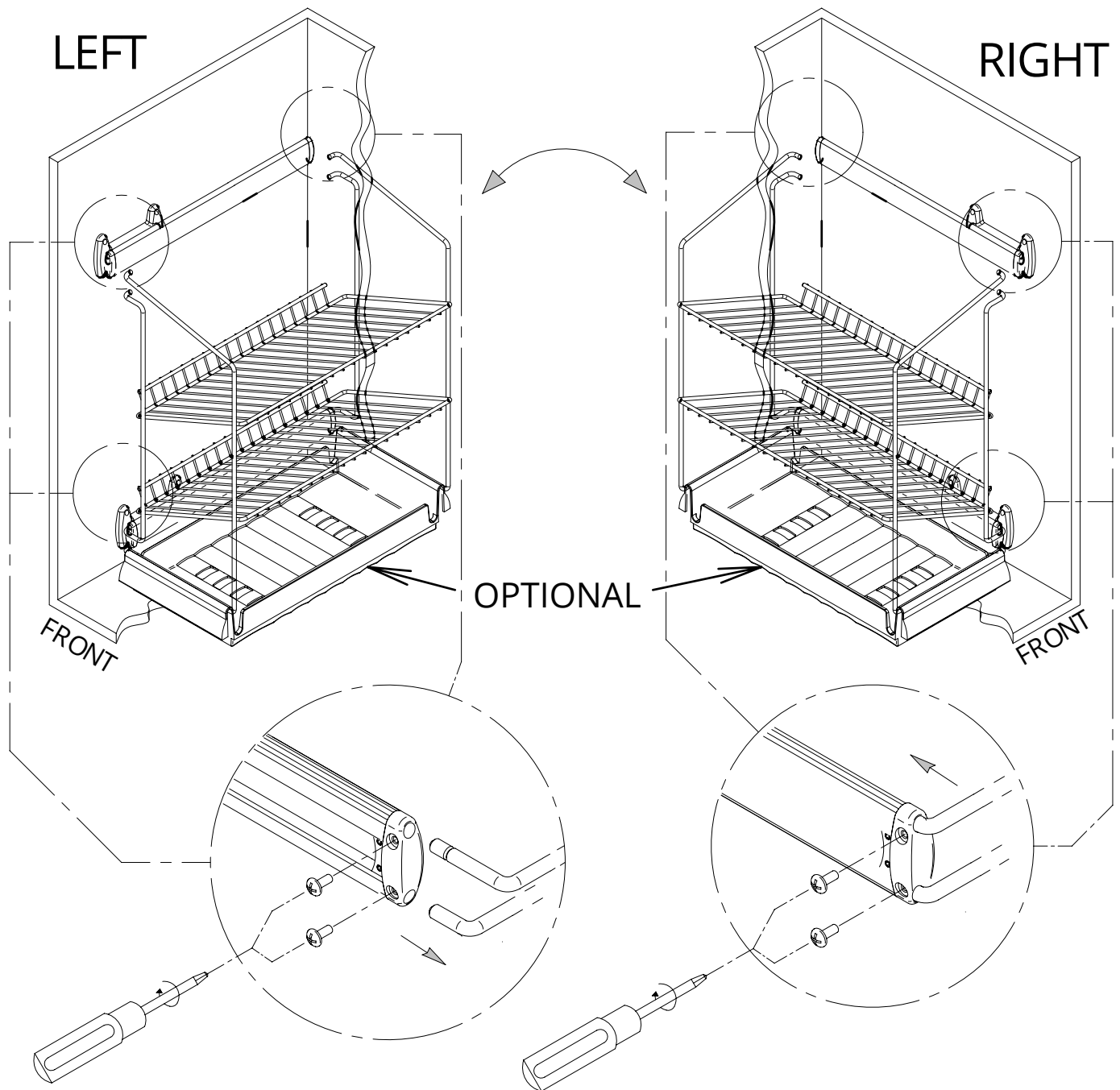


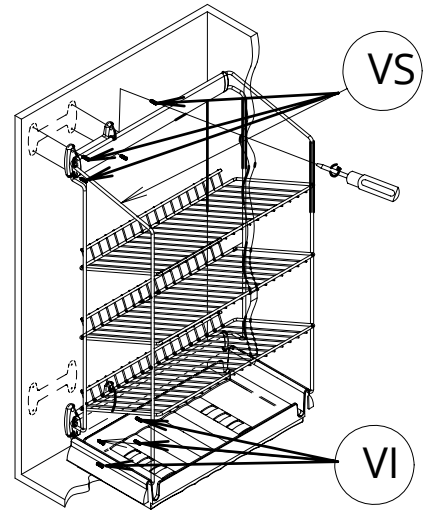


Assembly Instructions for Eco Multiple Tier Shoe Rack Pull-Outs



OPTIONAL: Translucent Trays can be attached to the bottom of the Multiple Tier Shoe Rack Pull-Outs as shown in the diagram above.

598mm 262476



789mm 262475

