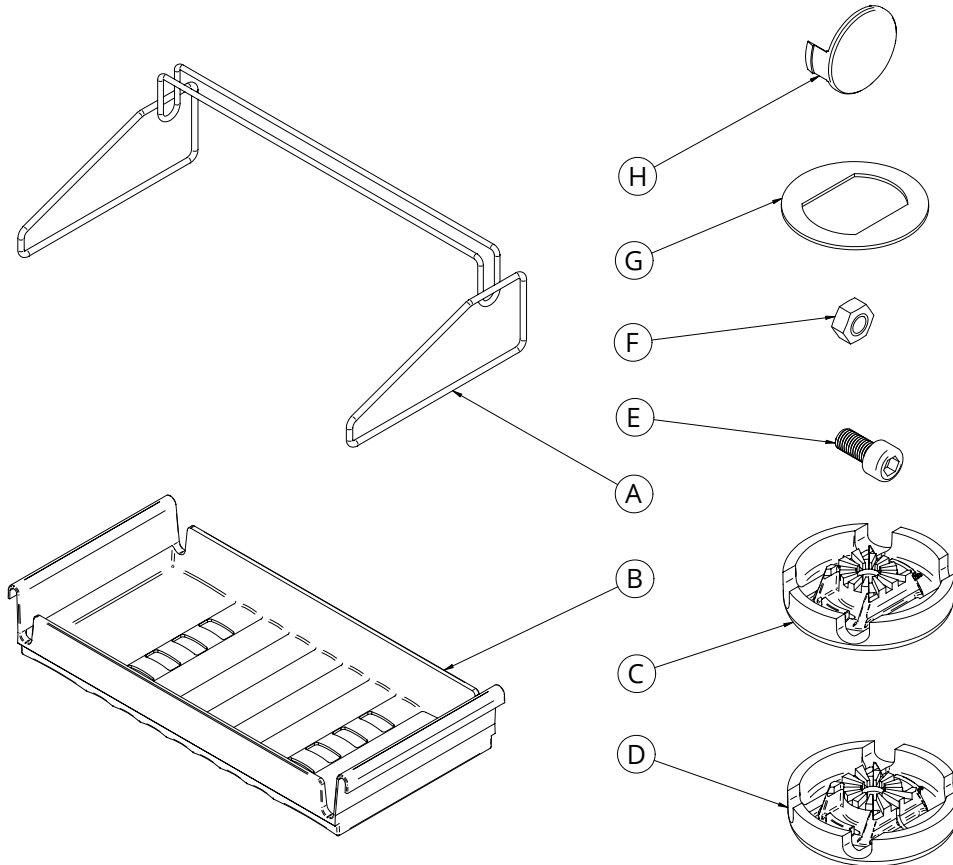
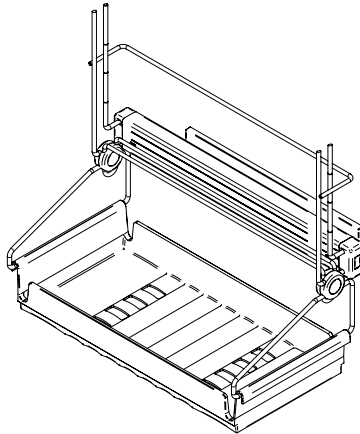
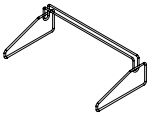
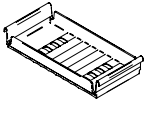
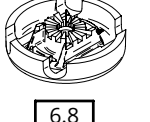
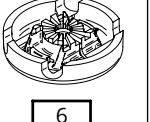
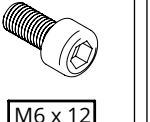
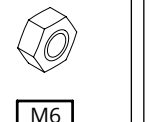
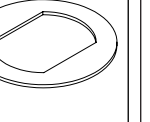
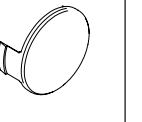
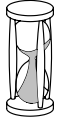
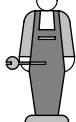
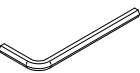


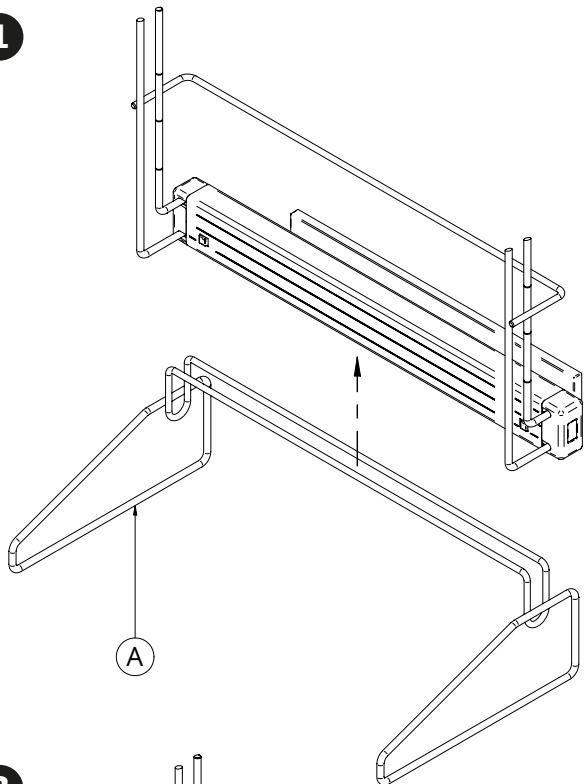


Assembly Instructions for Elite Translucent Tray

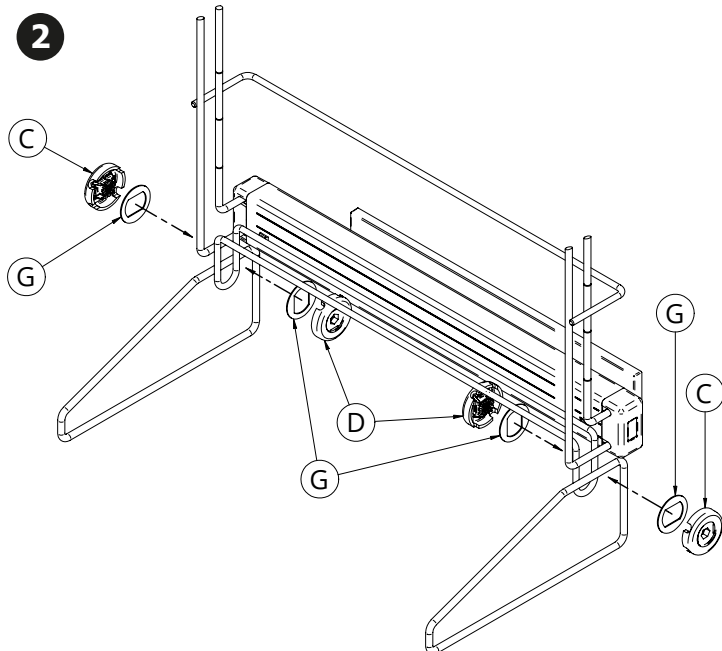


 A x 1	 B x 1	 6.8 C x 2	 6 D x 2	 M6 x 12 E x 2	 M6 F x 2	 G x 4	 H x 4
					 10 min	 1	

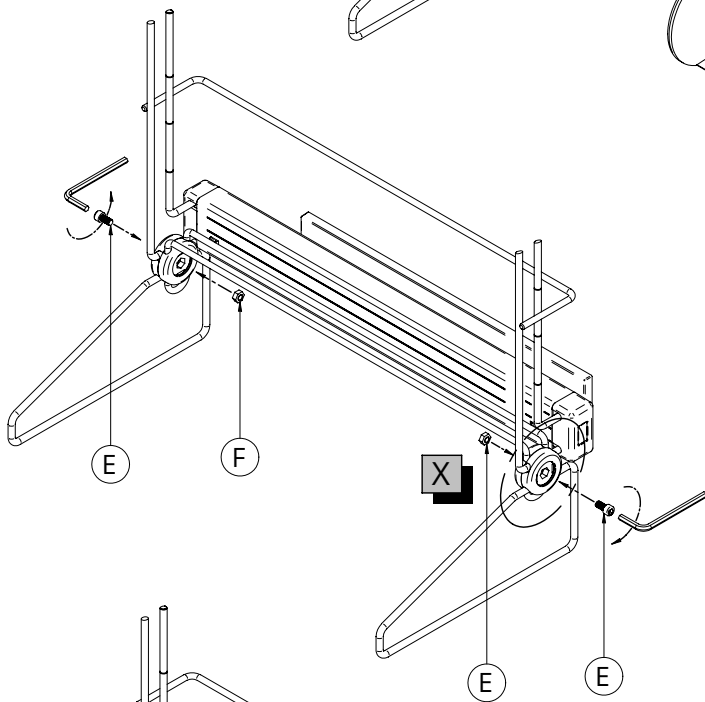
1



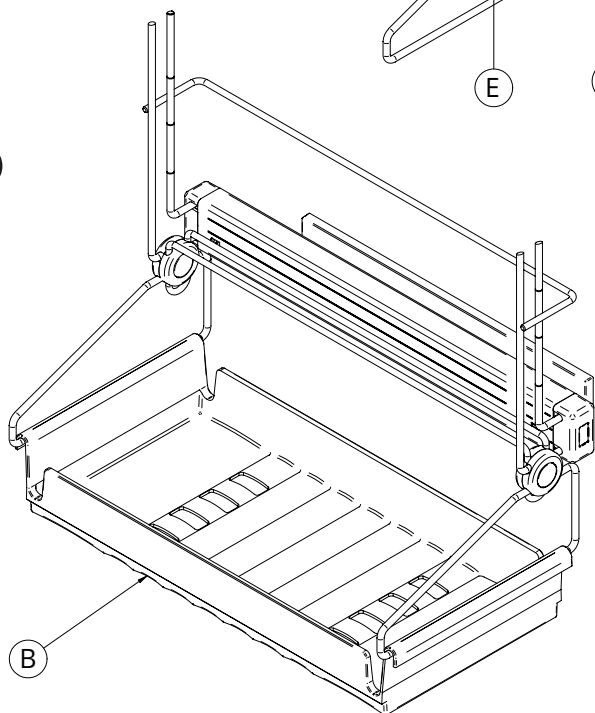
2



3



4



5

