



TECHNICAL INFORMATION

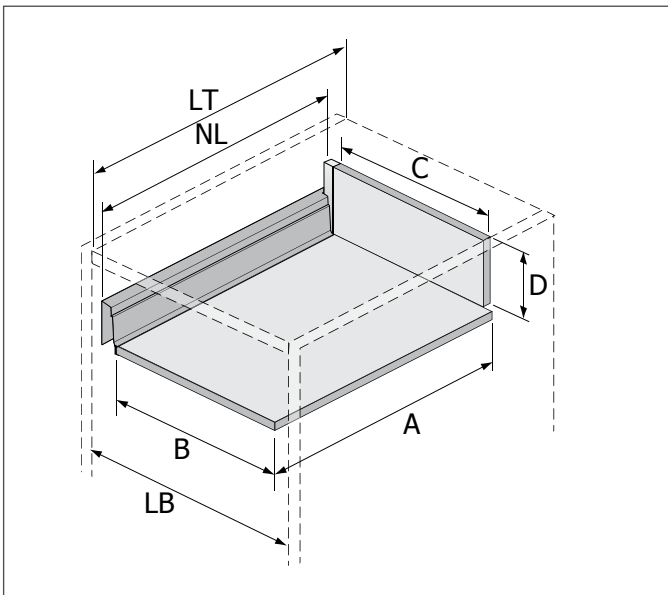
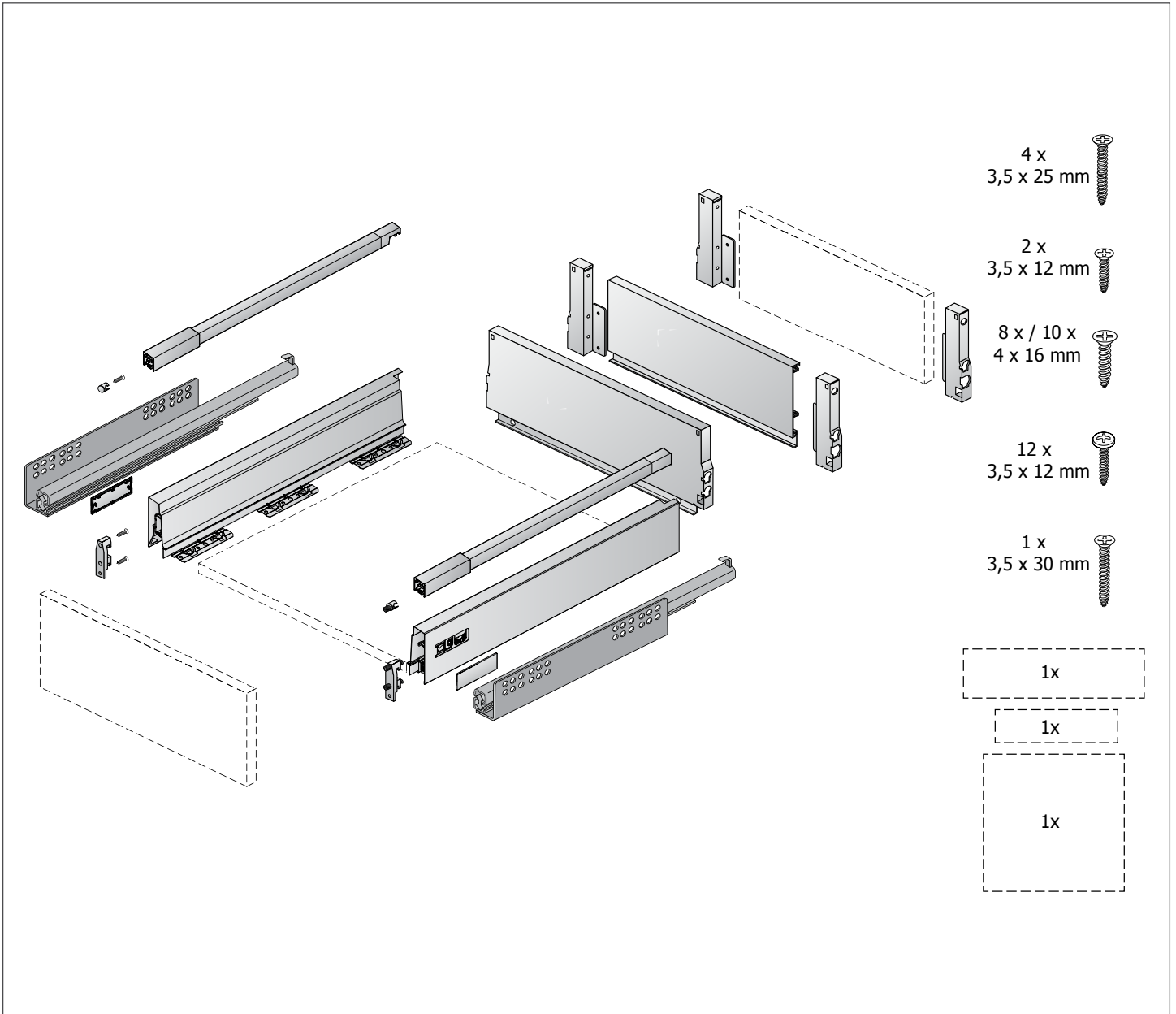
For:



InnoTech Atira Drawer Systems

STRIKING, VERSATILE, FLEXIBLE

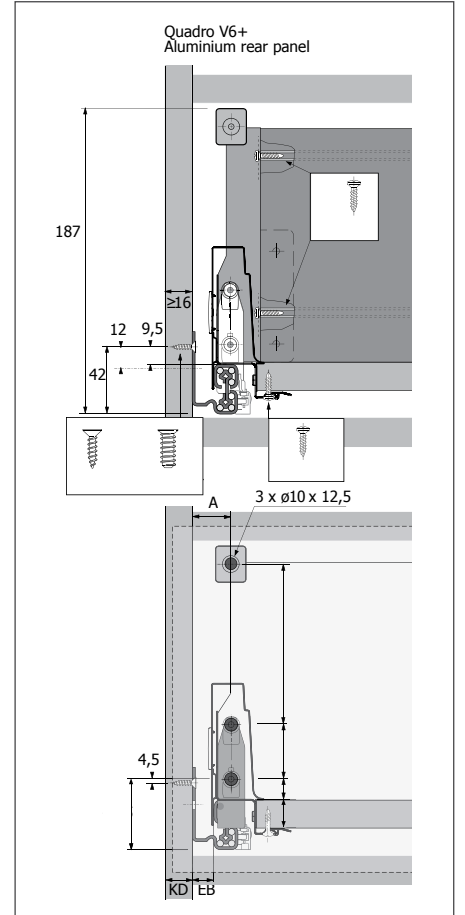
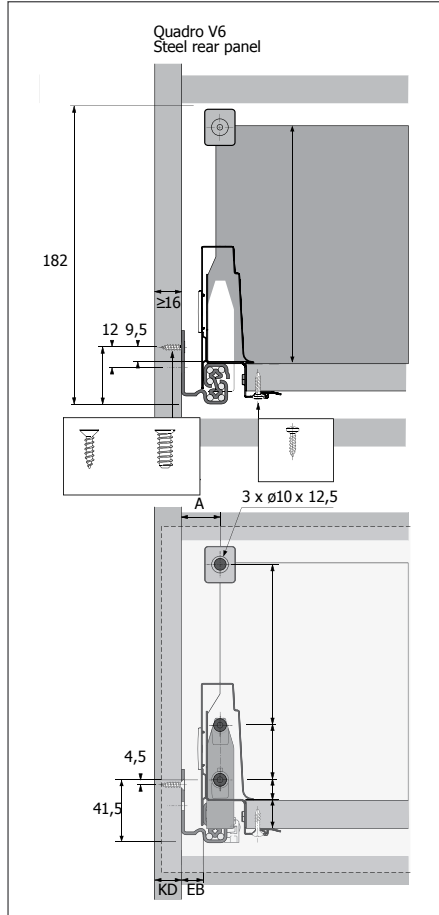
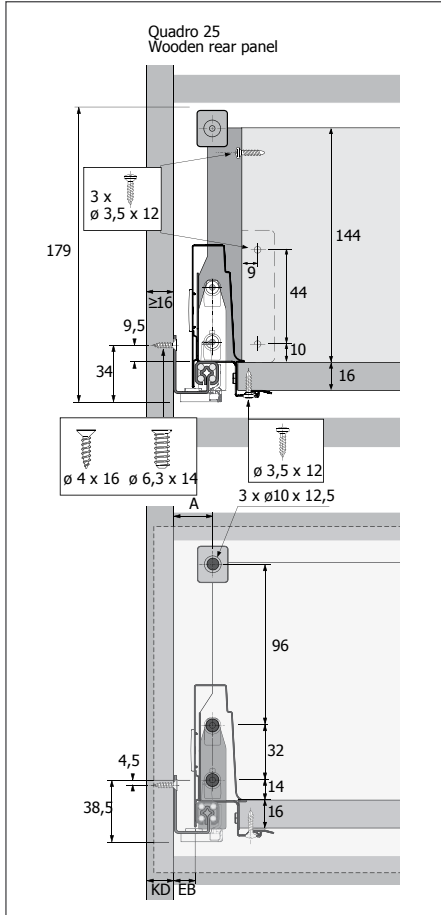
Standard Drawer Front - Height 144mm



	Steel Real Panel	Wooden Real Panel	Aluminium Real Panel
A	NL - 3	NL + 10	NL - 3
B	LB - 2 x EB - 51.5	LB - 2 x EB - 51.5	LB - 2 x EB - 51.5
C	-	LB - 2 x EB - 63	LB - 2 x EB - 63
D	-	144	-

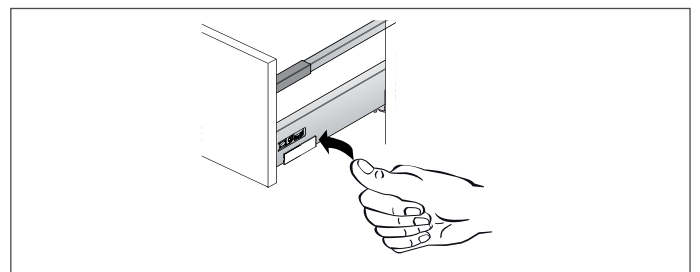
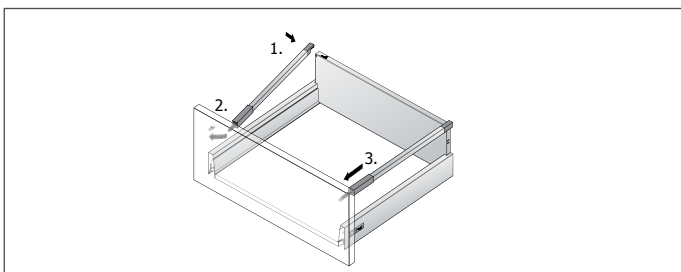
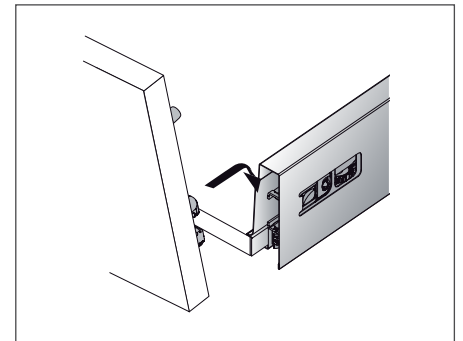
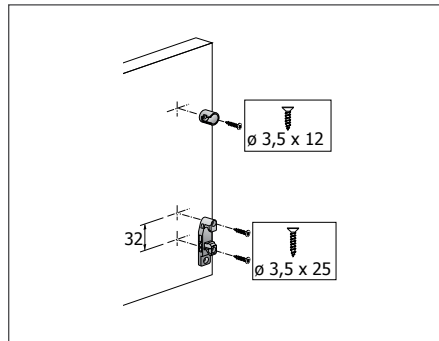
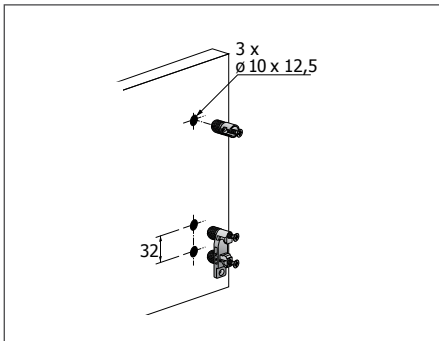
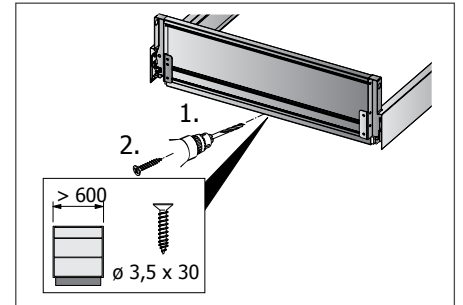
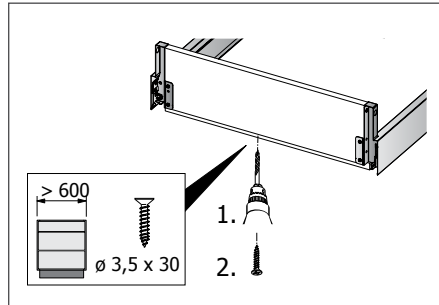
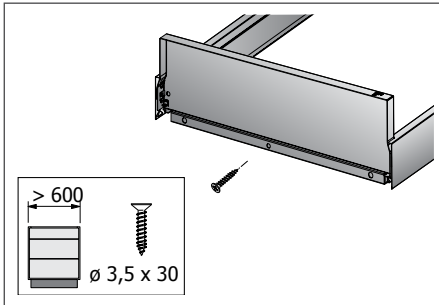
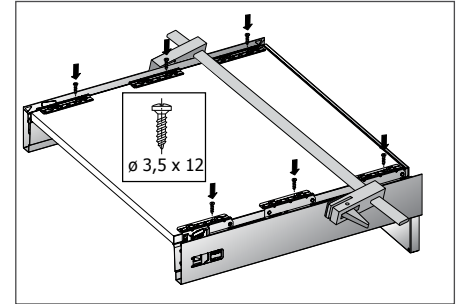
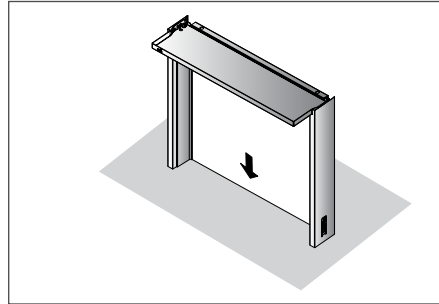
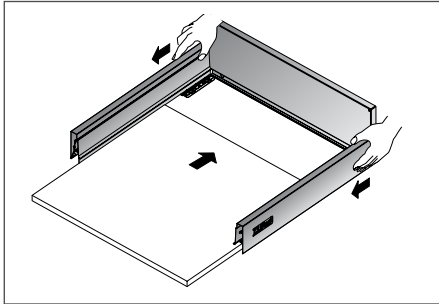
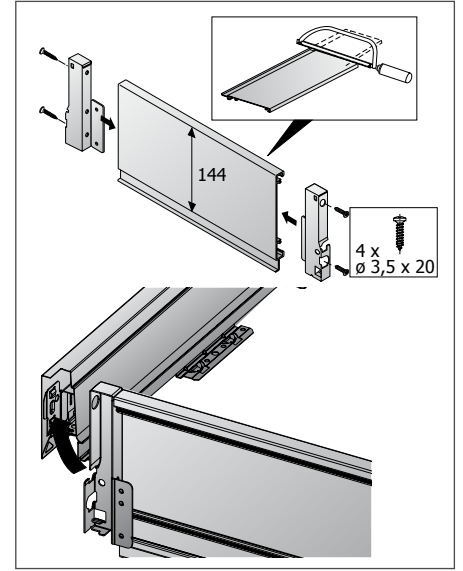
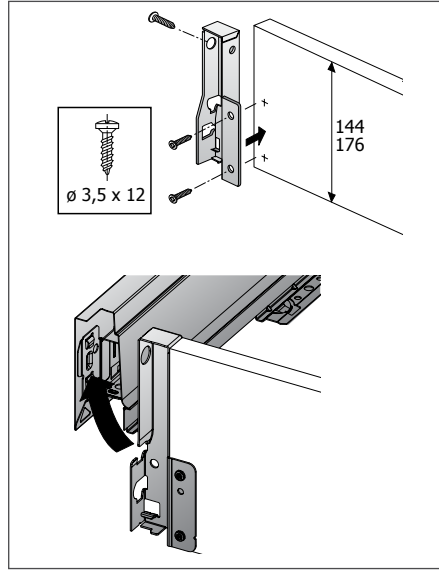
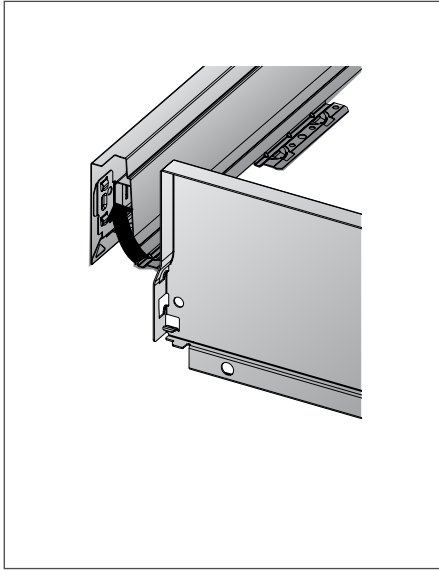
	Steel Real Panel	Wooden Real Panel
A	NL - 3	NL + 10
B	LB - 2 x EB - 51.5	LB - 2 x EB - 51.5
C	-	LB - 2 x EB - 63
D	-	176

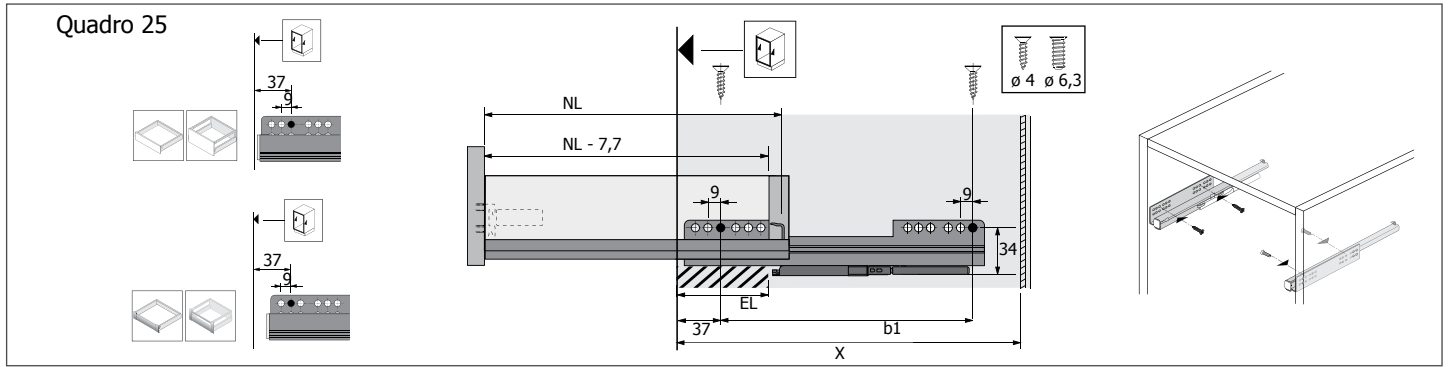
Assembly



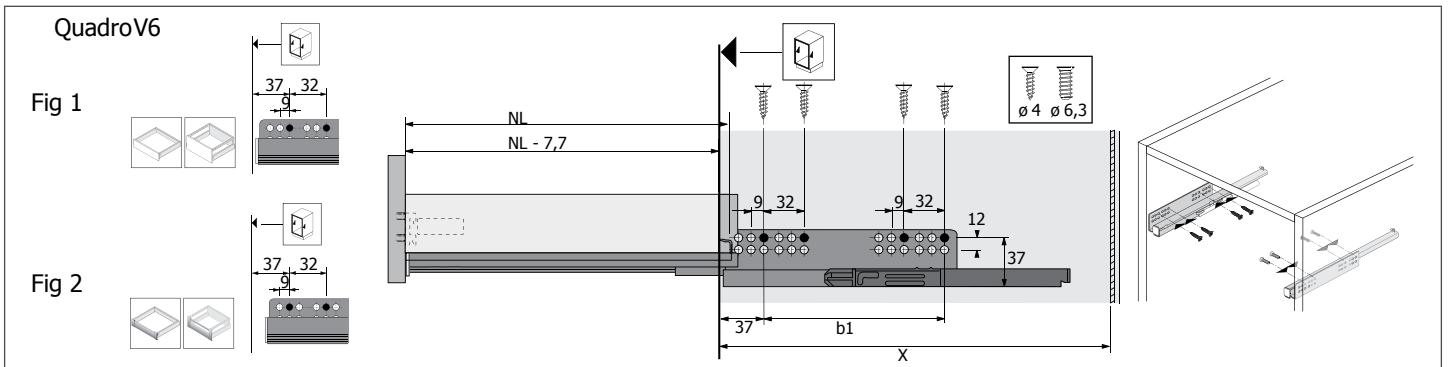
KD mm	16	18	19
EB mm	12.5	10.5	9.5
A mm	23	21	20

Assembly

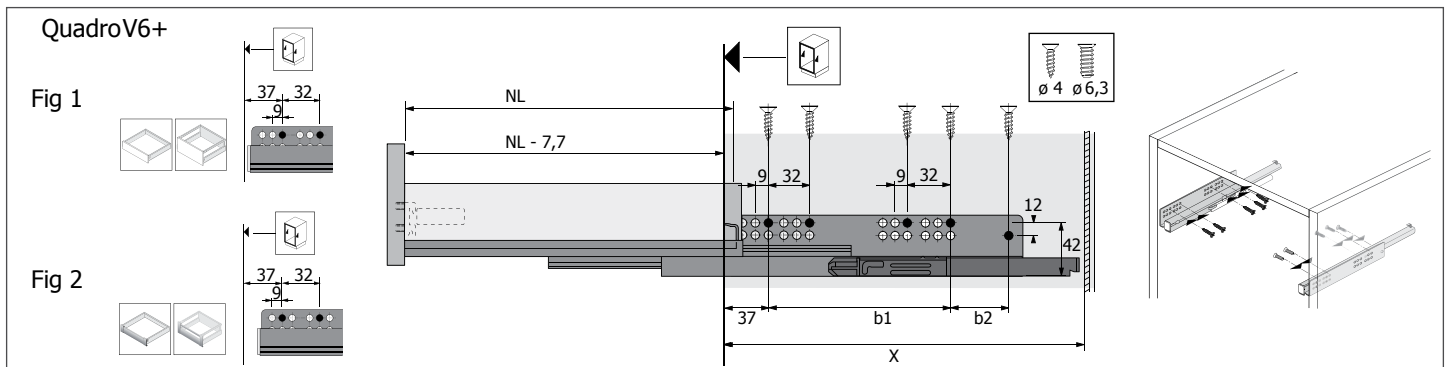




NL mm	b1mm	EL mm	X mm	Xmm
260	128	50	279	288
300	160	79	315	324
350	160	74	365	374
420	256	86	435	444
470	256	98	485	494
520	256	110	535	544

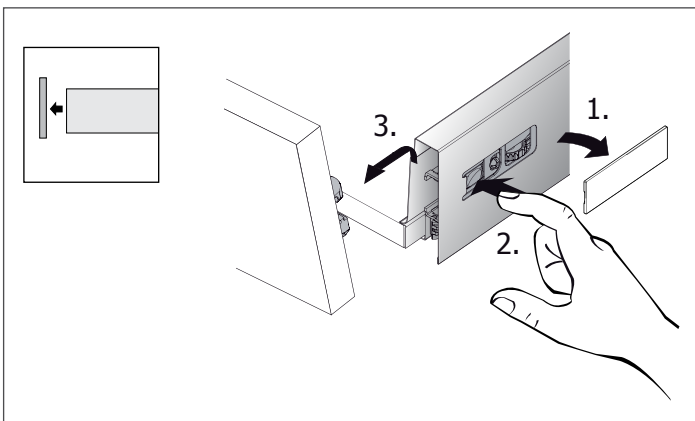
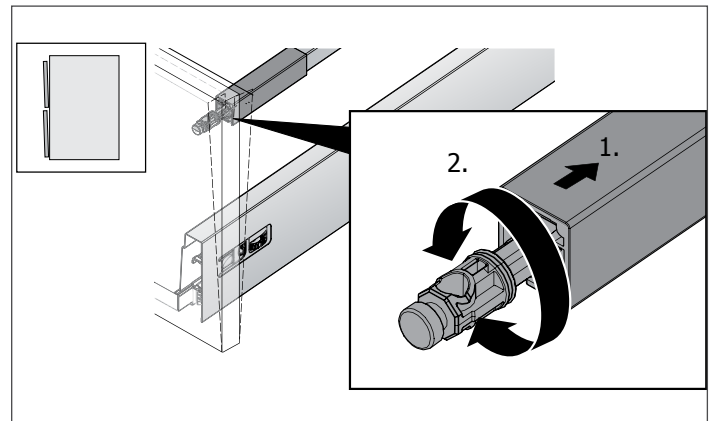
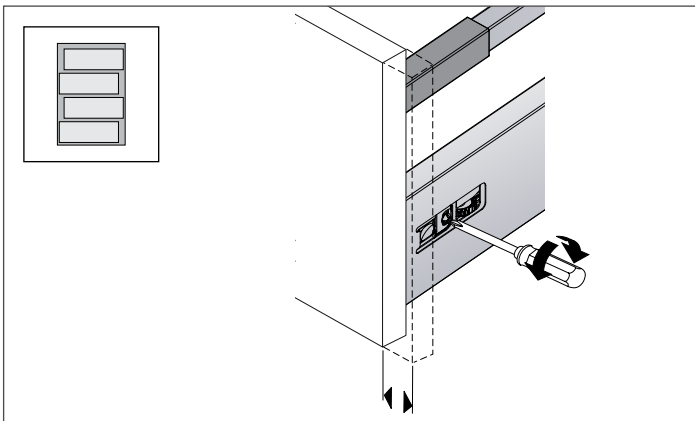
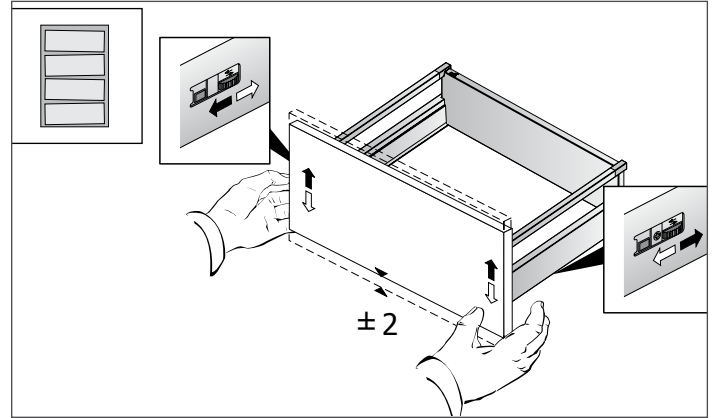
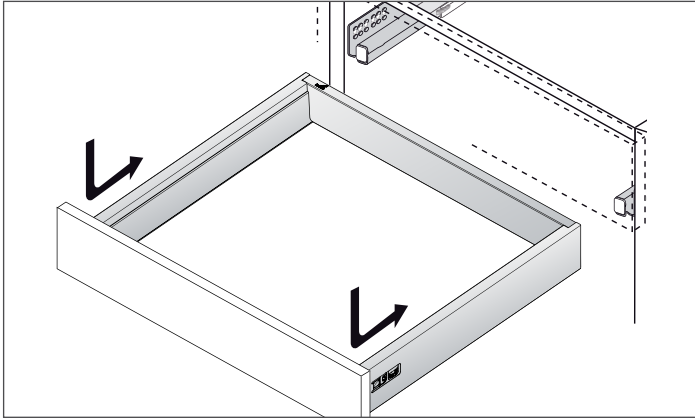


NL mm	b1mm	X mm = Fig 1	Xmm = Fig 2
260	160	279	288
300	160	315	324
350	160	365	374
420	224	435	444
470	256	485	494
520	256	535	544



NL mm	b1mm	b2 mm	X mm = Fig 1	Xmm = Fig 2
300	160		315	324
350	192		365	374
420	224		435	444
470	256		485	494
520	256		535	544
620	352	64	635	644

Assembly





MACHINERY - MATERIALS - COMPONENTS - ADHESIVES - FOILS - PANELS - DOORS

NEY Ltd (Head Office)

Stonebridge Trading Estate
Sibree Road
Coventry
CV3 4FD

t 024 7630 8100
f 024 7630 8101
e sales@ney.co.uk

NEY Ireland

Unit 22 Blaris Ind Estate
Altona Road
Lisburn
BT27 5QB

t 028 92 673 000
f 028 92 672 999
e ireland@ney.co.uk

NEY Scotland

Block 2 Units 1-2-3
Bandeath Ind Est
Throsk, Stirling
FK7 7NP

t 01786 814 814
f 01786 814 812
e scotland@ney.co.uk