

TECHNICAL INFORMATION

For:



Eco Metal Box Drawers

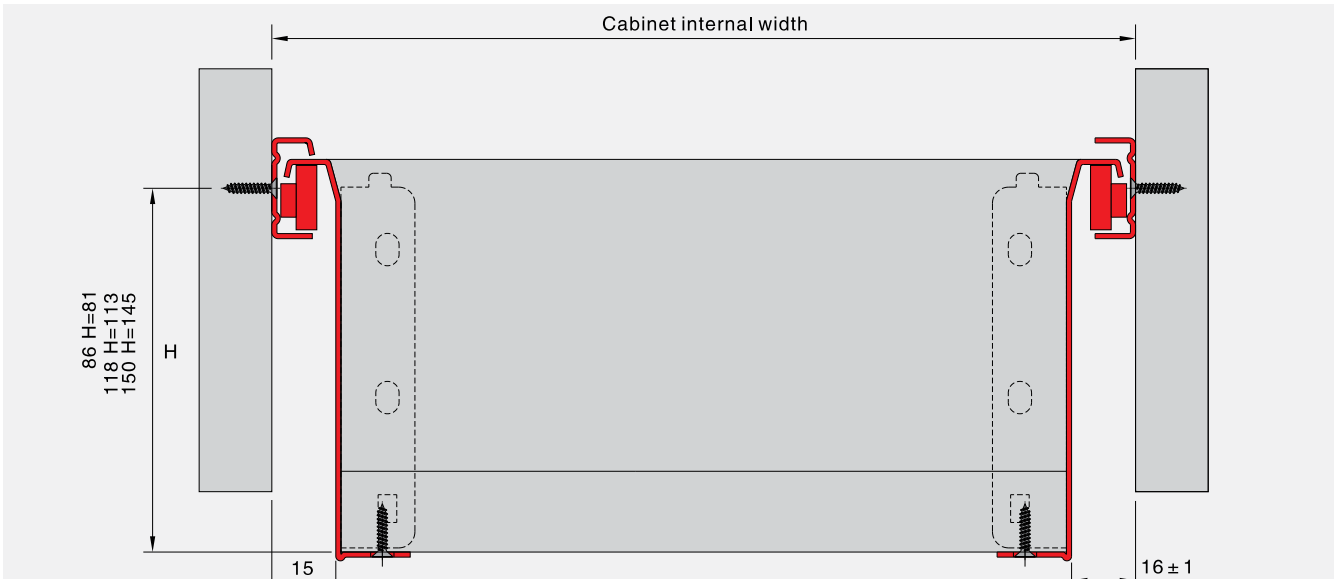
EASY REMOVAL AND FITTING - 25Kg CAPACITY

Contents:

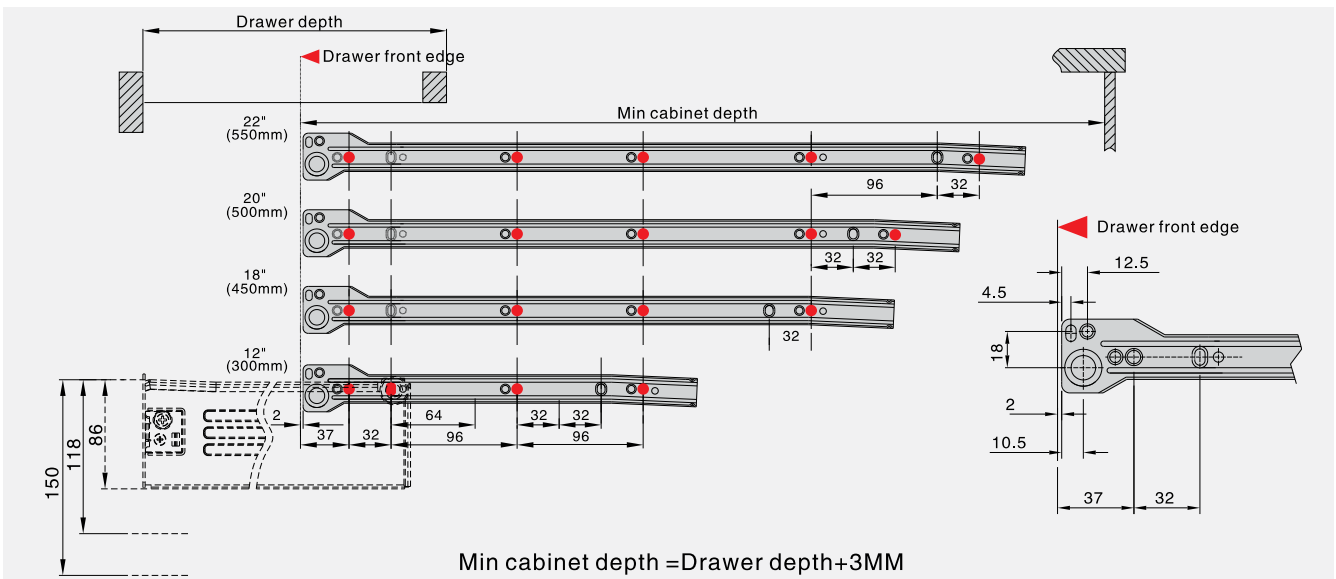
- Cabinet dimensions and screw locations 2
- Fixing Drawer 3

Cabinet dimensions

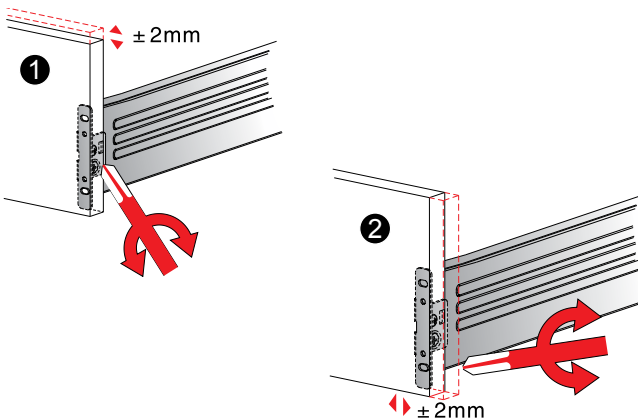
NB: All dimensions on this page are in mm.



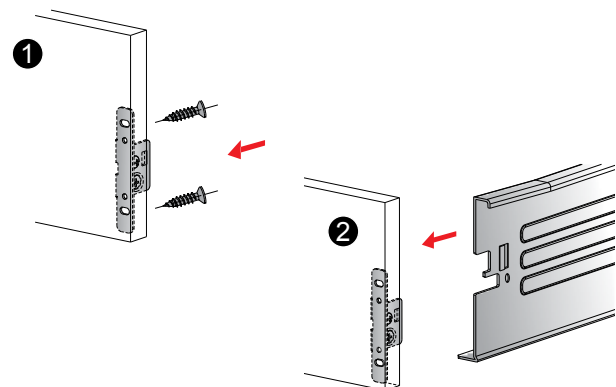
Screw location for the slides



Adjusting front panel

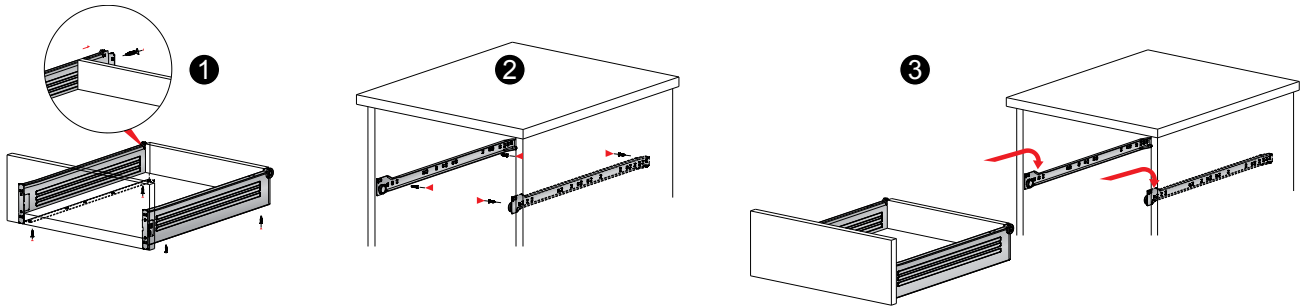


Fixing front panel



Fixing Drawer

NB: All dimensions on this page are in mm.





MACHINERY - MATERIALS - COMPONENTS - ADHESIVES - FOILS - PANELS - DOORS

NEY Ltd (Head Office)

Stonebridge Trading Estate
Sibree Road
Coventry
CV3 4FD

t 024 7630 8100
f 024 7630 8101
e sales@ney.co.uk

NEY Ireland

Unit 22 Blaris Ind Estate
Altona Road
Lisburn
BT27 5QB

t 028 92 673 000
f 028 92 672 999
e ireland@ney.co.uk

NEY Scotland

Block 2 Units 1-2-3
Bandeath Ind Est
Throsk, Stirling
FK7 7NP

t 01786 814 814
f 01786 814 812
e scotland@ney.co.uk