

INSTALLING INSTRUCTIONS

For:



ArciTech Rear Panel Connector 186mm

Contents:

• Installation Instructions	2
• Installation Instructions	3
• Installation Instructions	4
• Installation Instructions	5
• Installation Instructions	6
• Installation Instructions	7
• Installation Instructions	8
• Installation Instructions	9

Installation Instructions

i

A	NL - 24,5	NL - 21
B	LB - 2 x EB - 52,5	LB - 2 x EB - 52,5
C	LB - 2 x EB - 64	
D H 94	84,5 mm	
D H 126	116,5 mm	
D H 186	176 mm	
D H 218	208 mm	
D H 250	240 mm	
D H 282	272 mm	

H 94

H 126

H 186

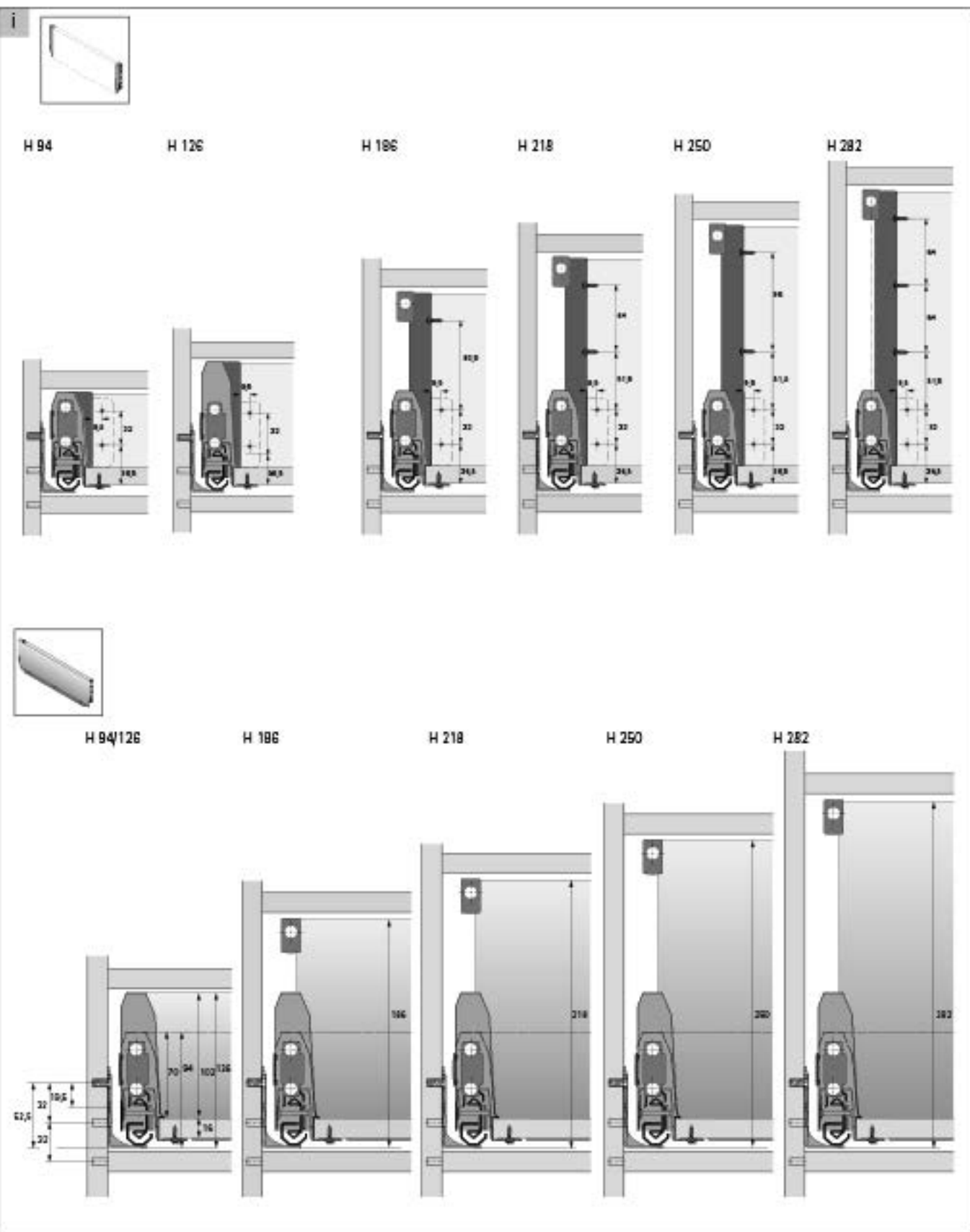
H 218

H 250

H 282

KD mm	16	18	19
EB mm	15	13	12
A mm	23	21	20

Installation Instructions



Installation Instructions

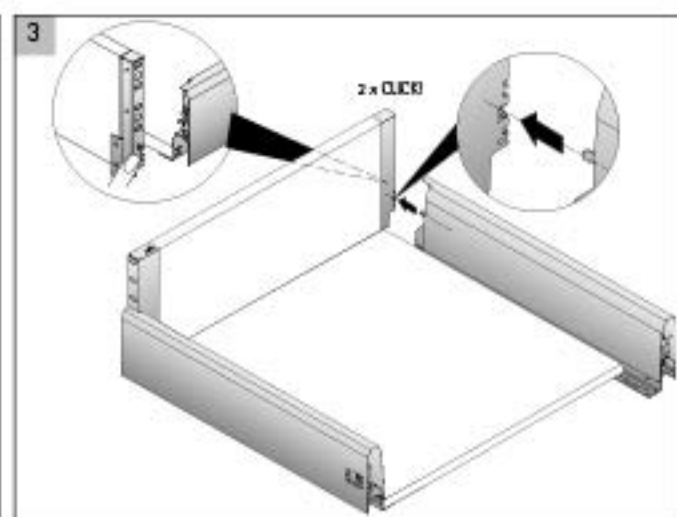
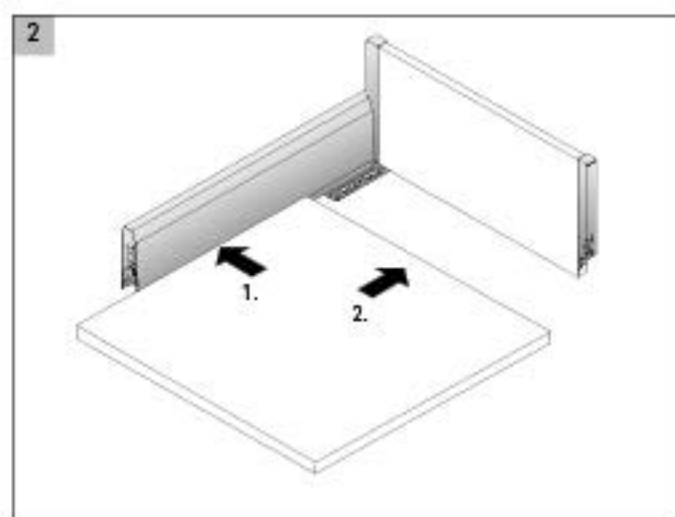
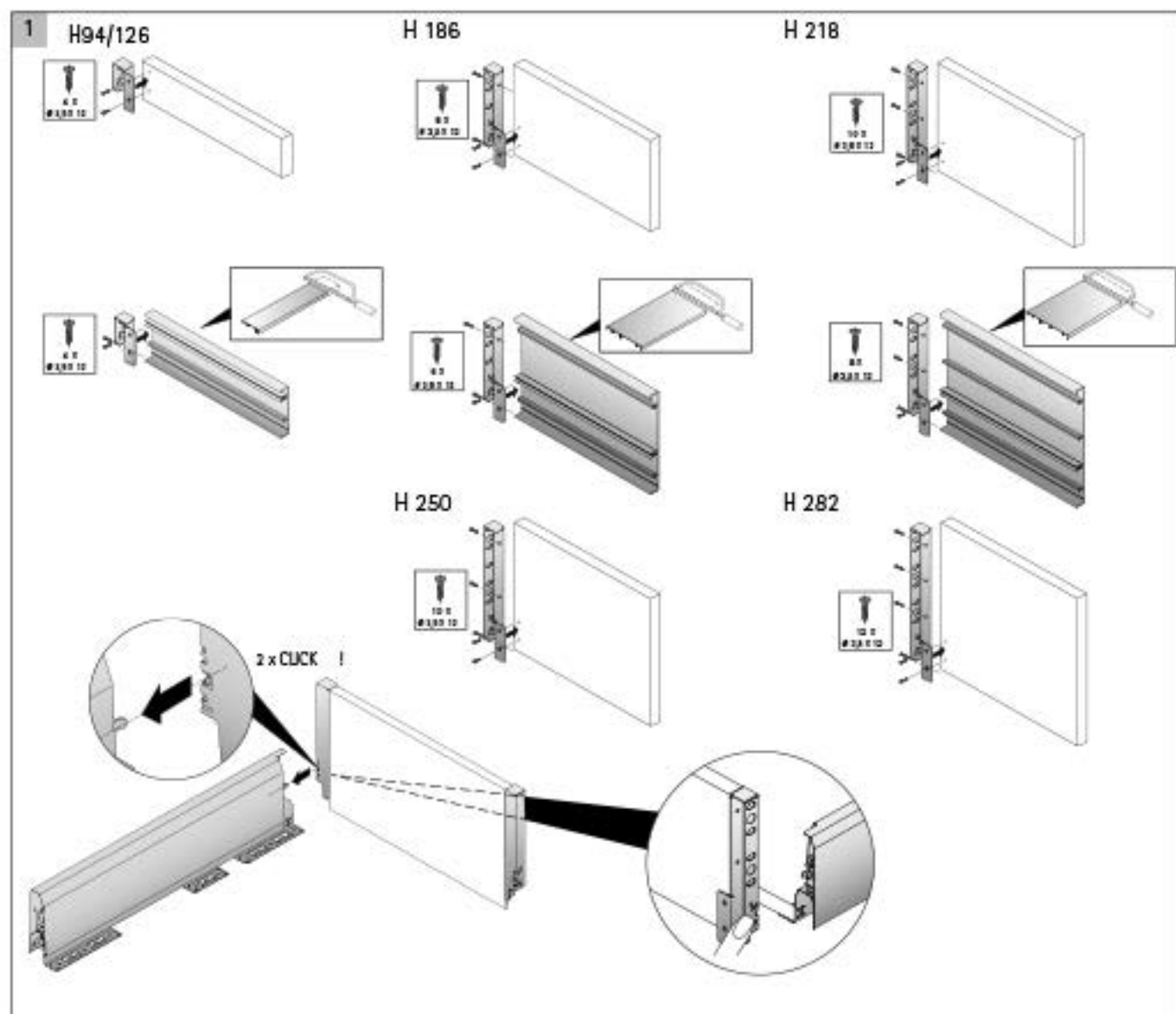
i

NL mm	b1 mm	X	X
270	128	273	282
300	160	303	312
350	192	353	362
400	192	403	412
450	192	453	462
500	224	503	512
550	256	553	562
650	288	653	662

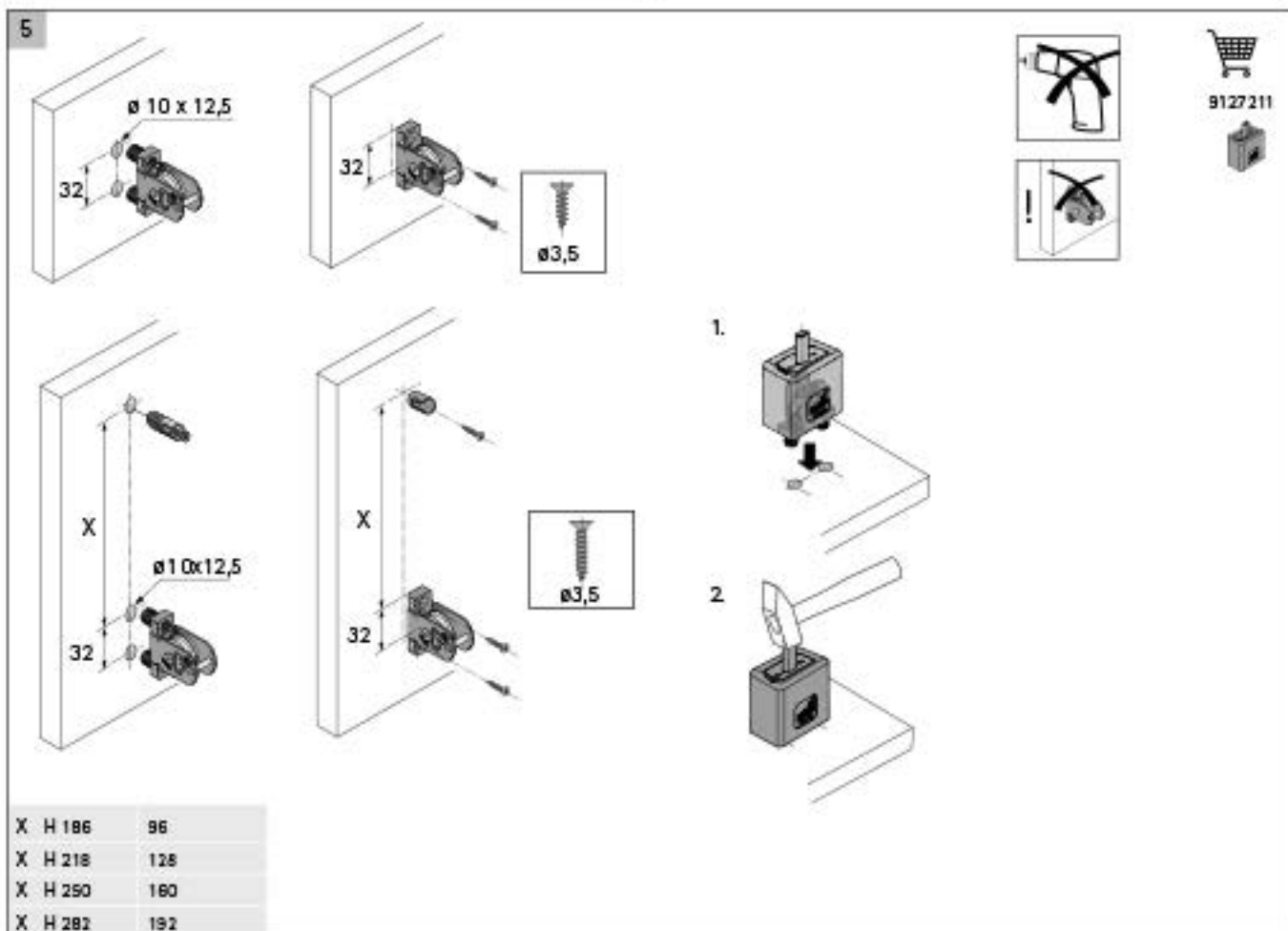
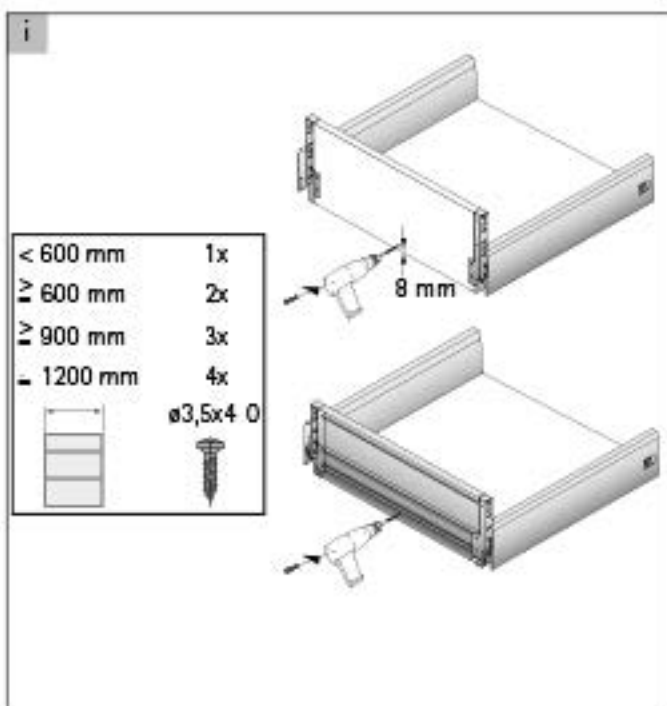
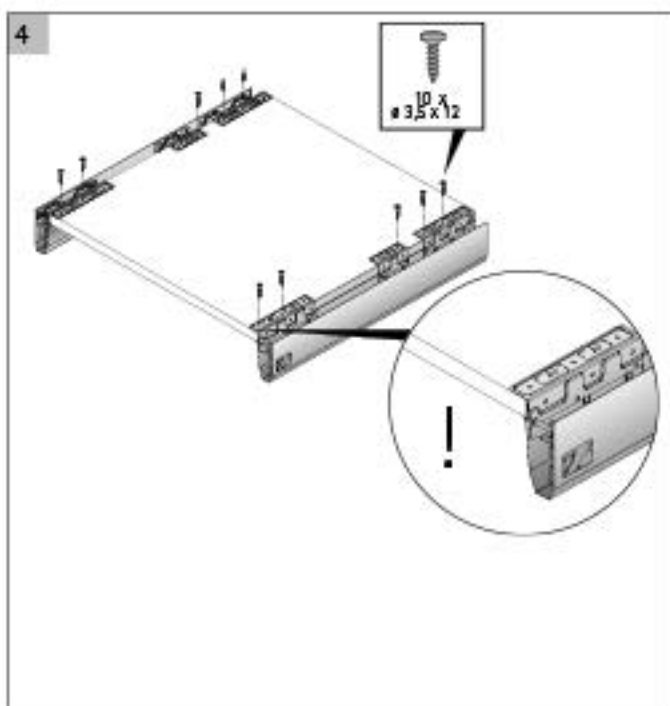
i

9153351

Installation Instructions



Installation Instructions

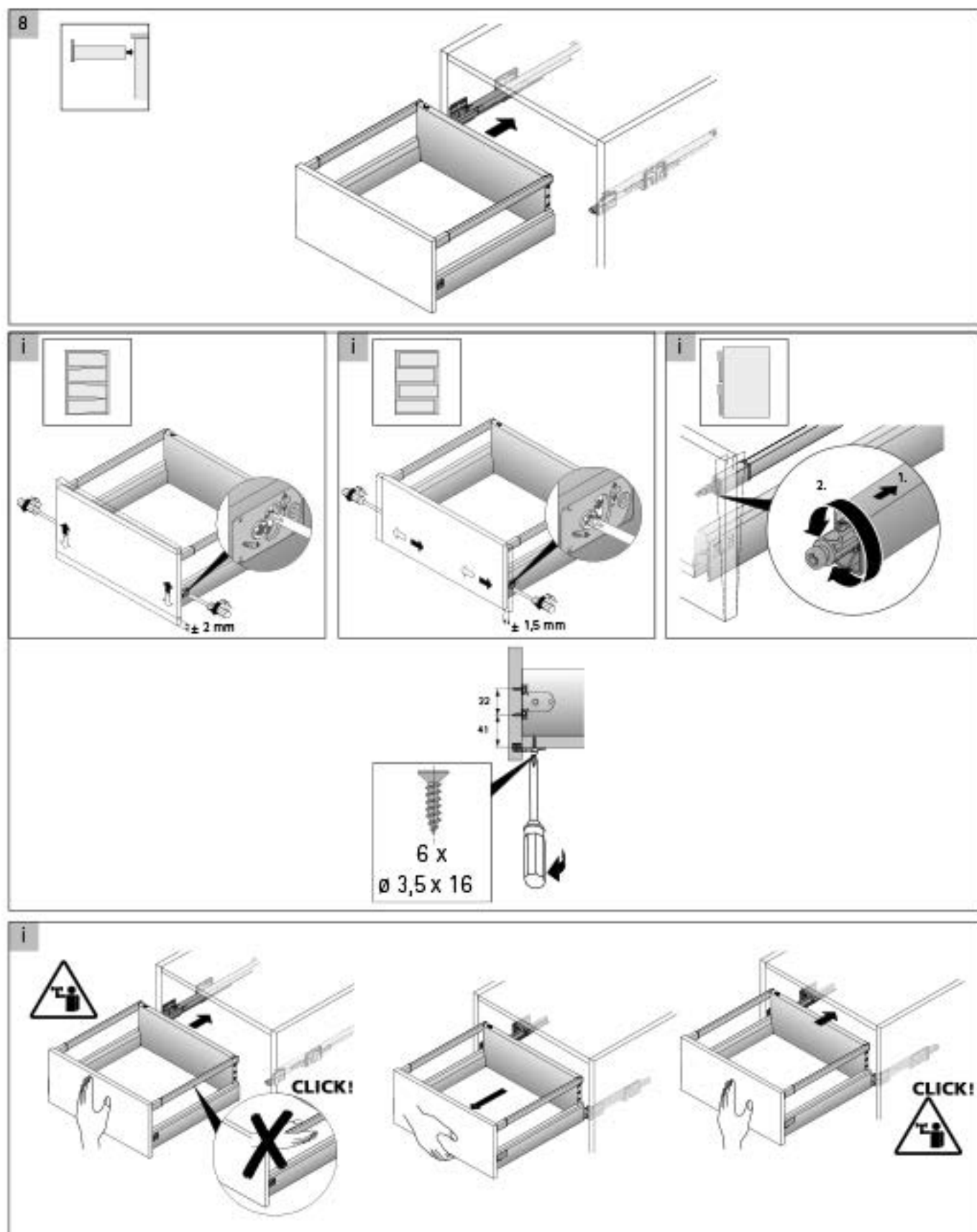


X H 186	96
X H 218	128
X H 250	160
X H 282	192

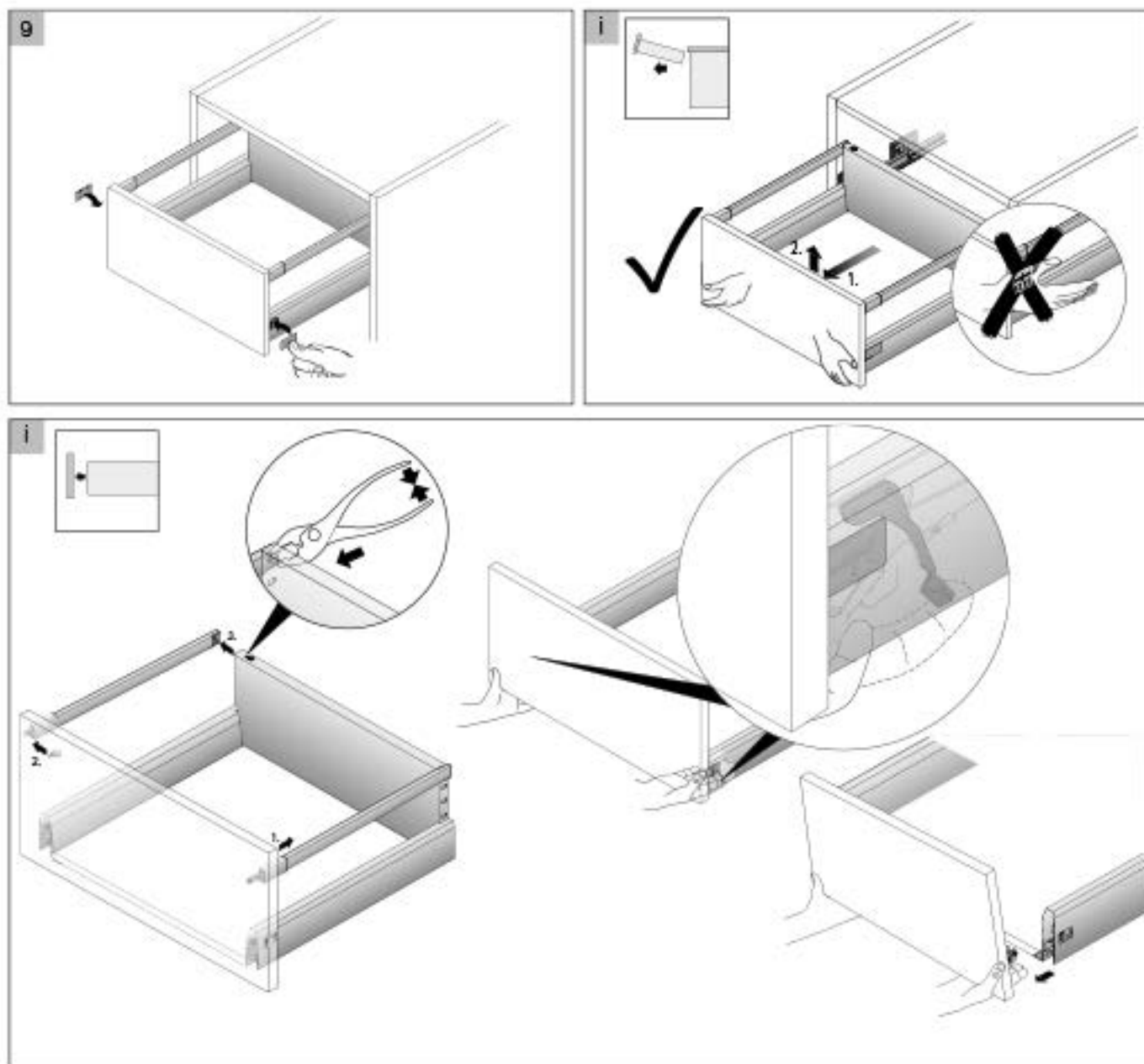
9127211



Installation Instructions



Installation Instructions





MACHINERY - MATERIALS - COMPONENTS - ADHESIVES - FOILS - PANELS - DOORS

NEY Ltd (Head Office)

Stonebridge Trading Estate
Sibree Road
Coventry
CV3 4FD

t 024 7630 8100
f 024 7630 8101
e sales@ney.co.uk

NEY Ireland

Unit 22 Blaris Ind Estate
Altona Road
Lisburn
BT27 5QB

t 028 92 673 000
f 028 92 672 999
e ireland@ney.co.uk

NEY Scotland

Block 2 Units 1-2-3
Bandeath Ind Est
Throsk, Stirling
FK7 7NP

t 01786 814 814
f 01786 814 812
e scotland@ney.co.uk