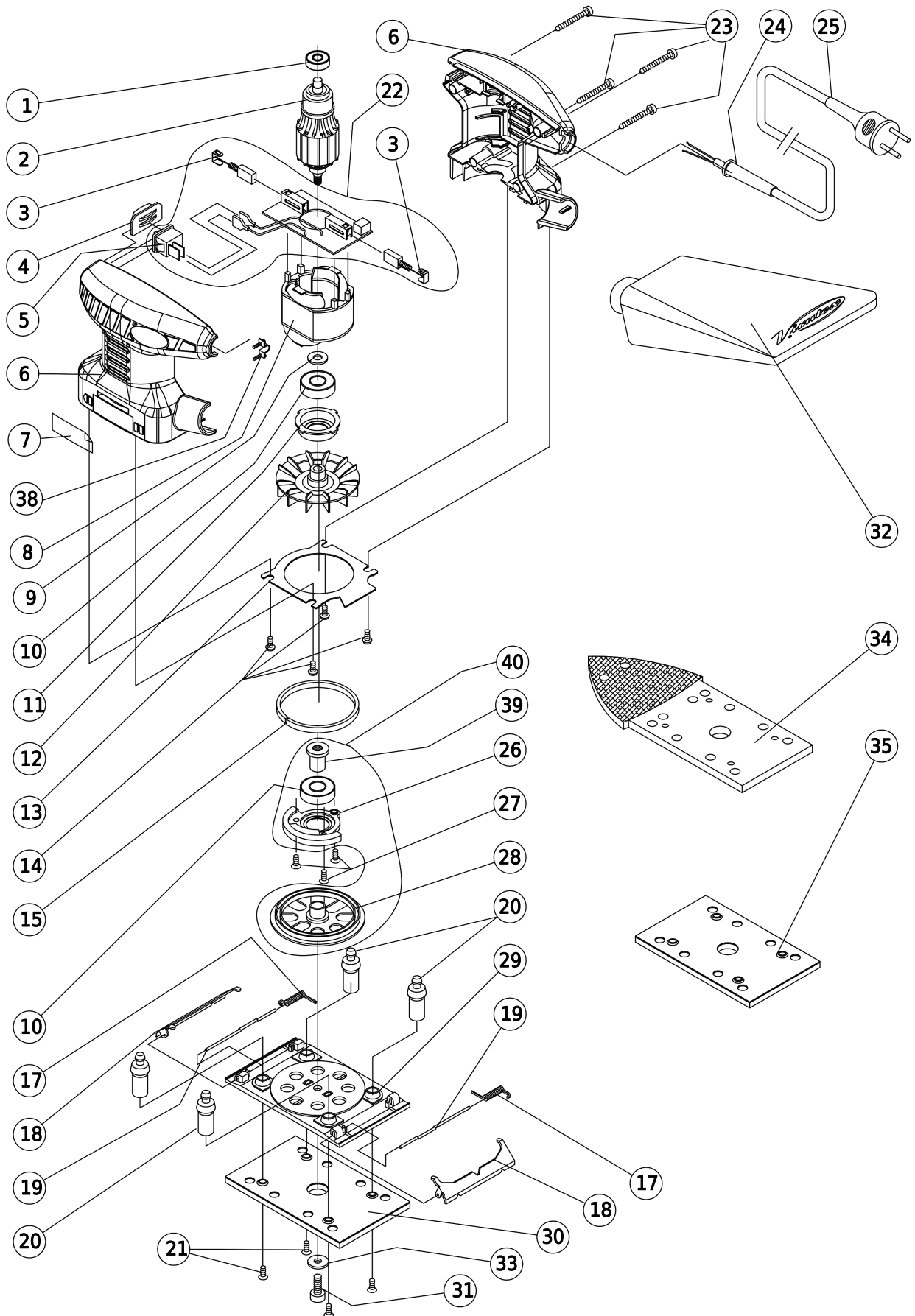




Technical information
Explosion drawing and parts list

LR84H (8400200) ORBITAL SANDER LR84H | Version C (From serial number 1556)





Technical information
Explosion drawing and parts list

LR84H (8400200) ORBITAL SANDER LR84H | Version C (From serial number 1556)

Pos.	Serial No.	Code	Description	Quantity
1		1210019	BALL BEARING 607 Z	1
2		8451114	ARMATURE ASS'Y 230 V.	1
2		8451116	ARMATURE ASS'Y 110 V.	1
2		8451118	ARMATURE ASS'Y 127 V.	1
3		8417019	CARBON BRUSHES SET	1
4		8402235	PUSH BUTTON (V1)	1
5		8415039	SWITCH	1
6		8445231	HOUSING ASS'Y	1
7		8419185	LABEL	1
8		8455108	STATOR ASS'Y 230 V.	1
8		8455110	STATOR ASS'Y 110 V.	1
8		8455112	STATOR ASS'Y 127 V.	1
9		8423194	WASHER D.7.05XD.16X0.5	1
10		4010005	BALL BEARING 6001 2RS	2
11		8406185	BEARING HOLDER	1
12		8464022	ASPIRATION FAN (V1)	1
13		8423193	FUN COVER	1
14		1370002	PAN HD. TAPPING SCREW 6X3/8 PH.BZ.	4
15		8499111	RETAINER	1
17		8426092	CLIP SPRING	2
18		8423196	CLIP	2
19		8426093	SHAFT	2
20		8446421	COLUMNS SET	1
21		8478018	SCREW M.4X10	4
22		8445188	ELECTRIC PLATE ASS'Y	1
23		1570037	PAN HD. TAPPING SCREW 8X1 1/4 PH.BZ.	4
24		8002043	CORD ARMOR	1
25		8400043	CORD ASS'Y (EUROPE)	1
25		8400044	CORD ASS'Y (AMERICA)	1
26		8406184	BALANCE WEIGHT (V1)	1
27		7278014	SCREW M.4X8	3
27	2191	8478018	SCREW M.4X10	3
28		8406187	DISC	1
29		8406183	BASE	1
30		8402434	MOVABLE BASE	1
31		8475083	SCREW M.6X15	1
32		8445208	DUST COLLECTION BAG	1
33		8481013	WASHER	1
34		8445198	DELTA BASE (VELCRO)	1
35		8445189	MOVABLE BASE (VELCRO)	1
38		8489047	CABLE HOLDER	1
39		8422245	BUSHING	1
40		8445297	DISC ASS'Y	1
41		8445520	SANDING PAD ASS'Y	1
43		8423716	WASHER	4