



# TECHNICAL INFORMATION

For:

**TOP SLIDE**<sup>®</sup>  
INTERNATIONAL

**SL-Series Slides**

**CONCEALED SLIDES FULL EXTENSION**

## Contents:

- Technical Information 2

**Premium Concealed Slides**

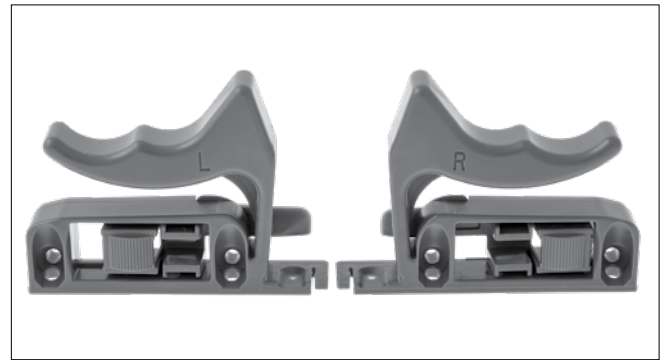
**TOPSLIDE**<sup>®</sup>  
INTERNATIONAL



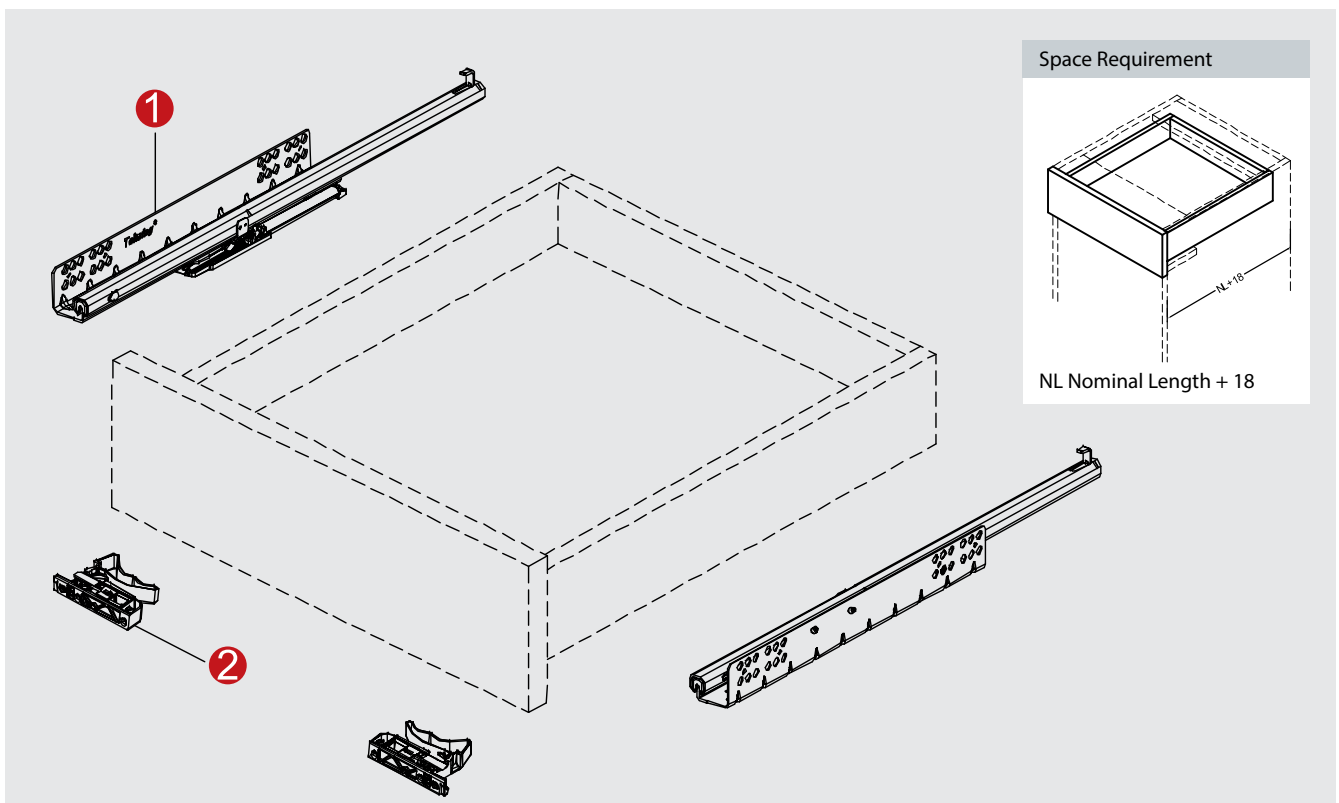
**Full Extension 25kg**

A new addition to our drawer slide products here at NEY is a premium concealed slide. If you make a comparison to any like for like product on the market we can guarantee our Elite concealed slide will be a match in quality and price. This product will provide you with:

- Perfect light, smooth, silent soft close system
- Quick and easy assembly and dismantling of the drawer
- Perfect vertical and lateral stability
- The rust resilient tracks ensure optimal slide action through precision guided steel balls
- Maintenance free through self cleaning ball tracks
- Load capacity: 25kg



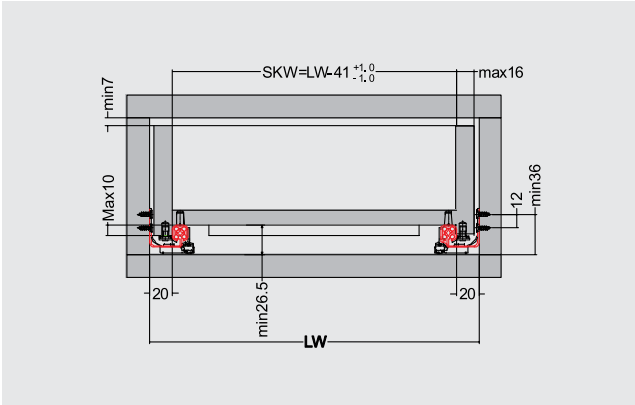
**Basic Components**



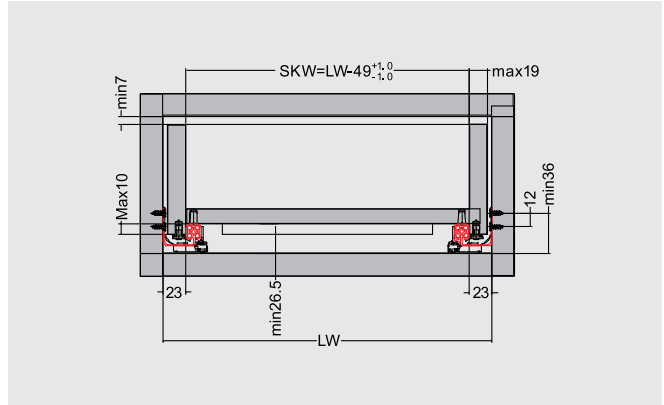
Premium Concealed Slides

Installation Dimensions (mm)

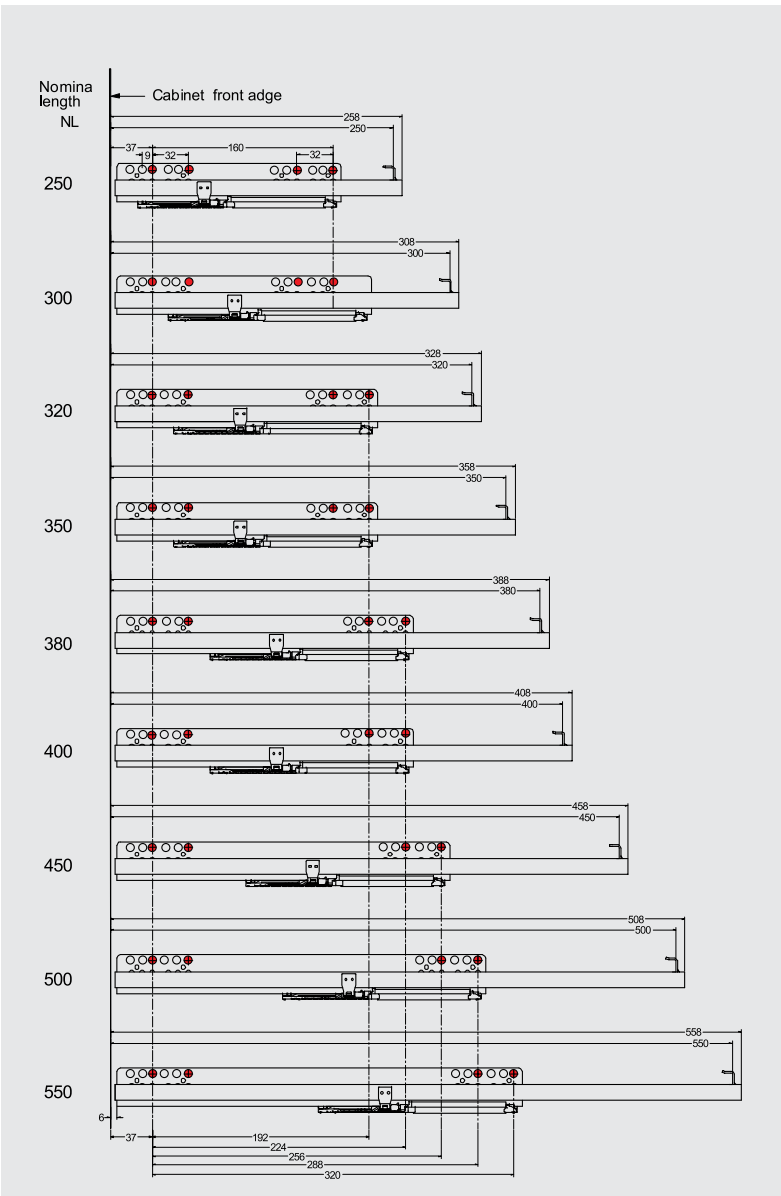
Installation for drawer with max 16mm thick drawer side  
LW=Internal Cabinet Width SKW=Internal drawer Width



Installation for drawer with max 19mm thick drawer side  
LW=Internal Cabinet Width SKW=Internal drawer Width

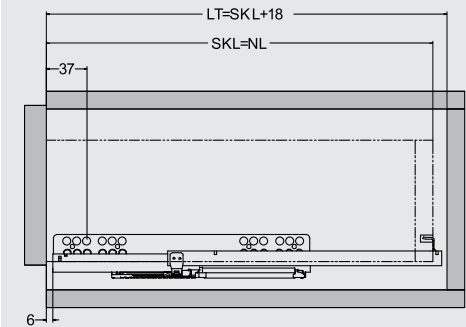


Installation Dimensions (mm)

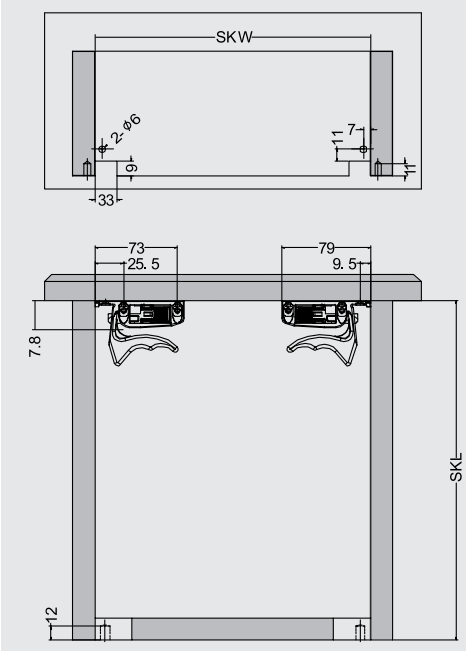


Drawer Dimensions (mm)

SKL Drawer length  
LT Inside cabinet length (min.)



Drawer box specification (mm)





MACHINERY - MATERIALS - COMPONENTS - ADHESIVES - FOILS - PANELS - DOORS

**NEY Ltd (Head Office)**

Stonebridge Trading Estate  
Sibree Road  
Coventry  
CV3 4FD

**t** 024 7630 8100  
**f** 024 7630 8101  
**e** sales@ney.co.uk

**NEY Ireland**

Unit 22 Blaris Ind Estate  
Altona Road  
Lisburn  
BT27 5QB

**t** 028 92 673 000  
**f** 028 92 672 999  
**e** ireland@ney.co.uk

**NEY Scotland**

Block 2 Units 1-2-3  
Bandeath Ind Est  
Throsk, Stirling  
FK7 7NP

**t** 01786 814 814  
**f** 01786 814 812  
**e** scotland@ney.co.uk