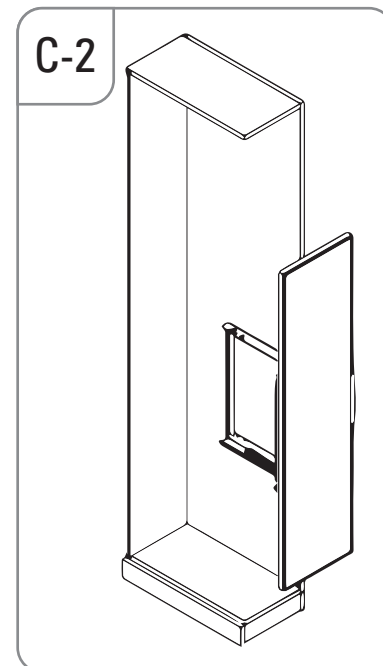
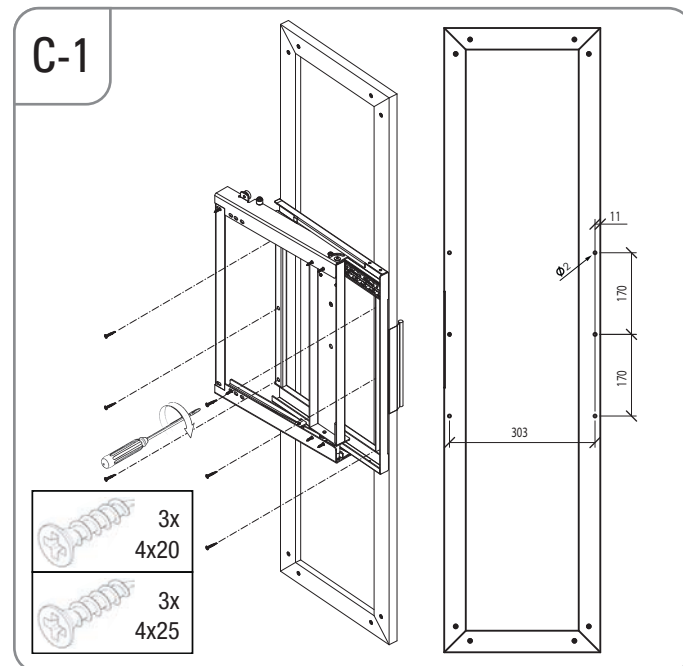
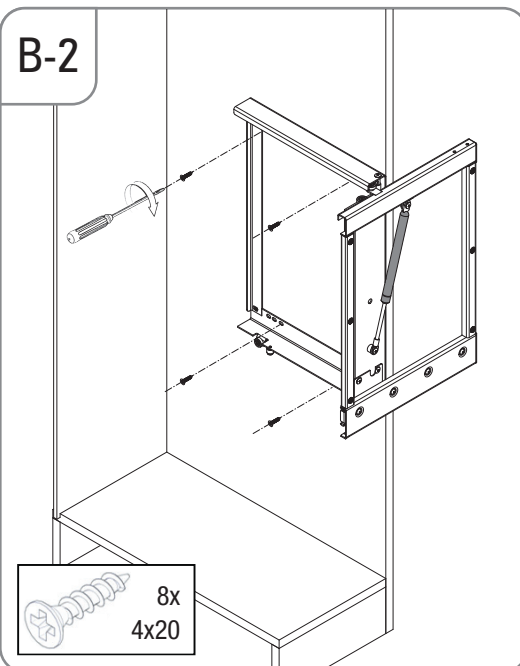
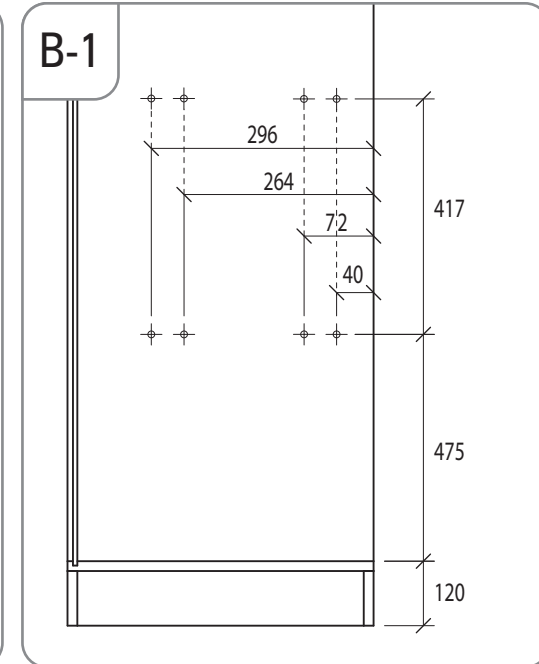
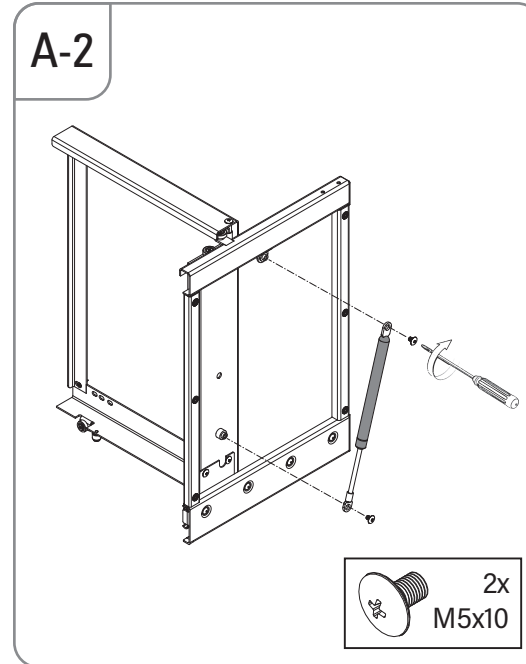
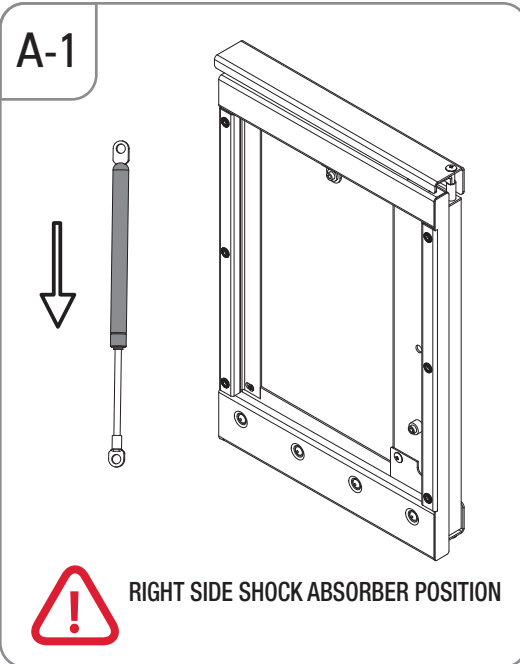




• TURNING MIRROR MOUNTING INSTRUCTIONS (RIGHT)

ITEMS PART

NO	PART DRAWING	PCS.
1		1
2		1
3		1
4	4x20	11
5	4x25	3
6	M5x10	2



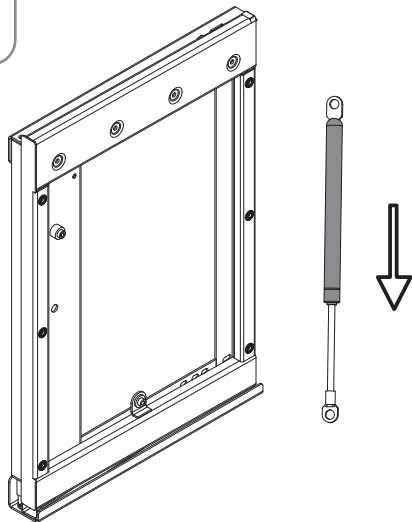


• TURNING MIRROR MOUNTING INSTRUCTIONS (LEFT)

ITEMS PART

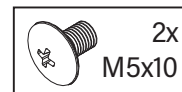
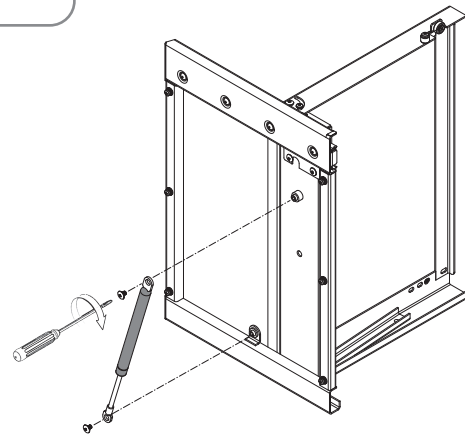
NO	PART DRAWING	PCS.
1		1
2		1
3		1
4	4x20	11
5	4x25	3
6	M5x10	2

A-1

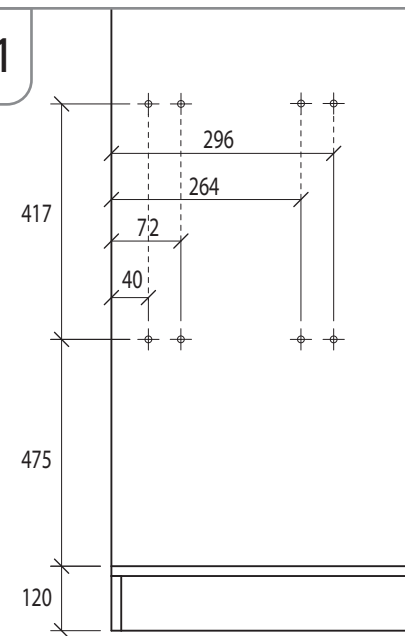


LEFT SIDE SHOCK ABSORBER POSITION

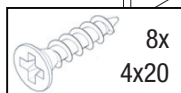
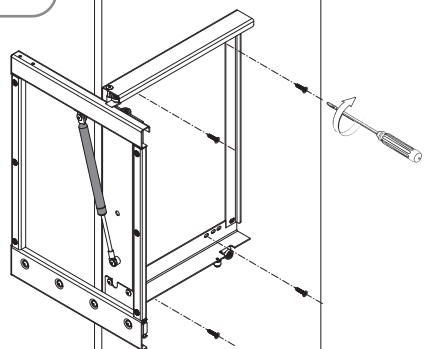
A-2



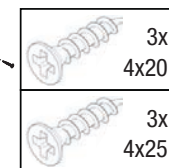
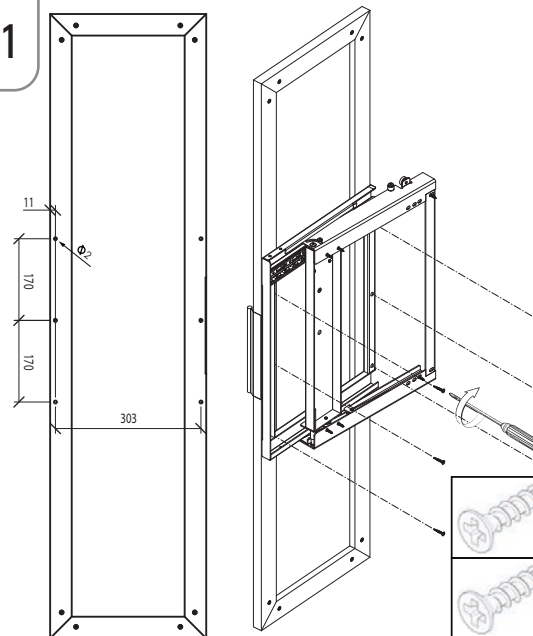
B-1



B-2



C-1



C-2

