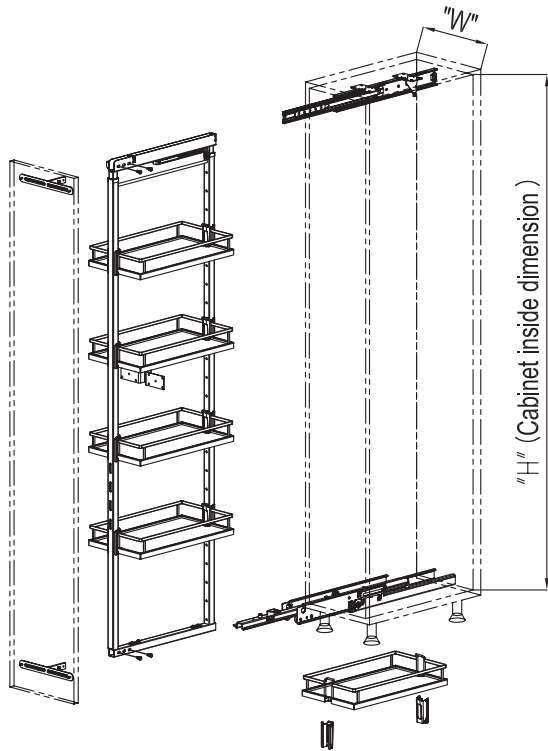




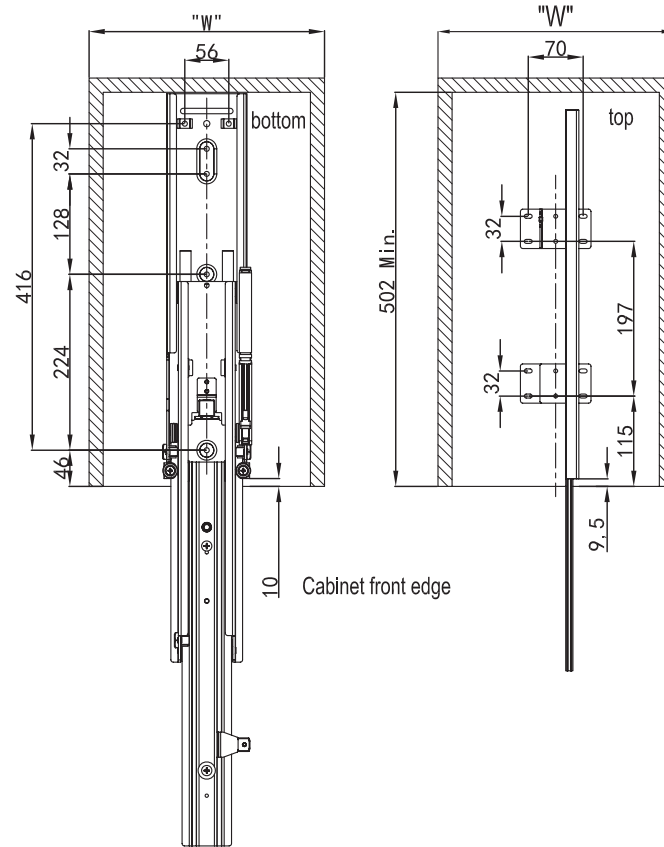
Larder Unit Installation Instructions

1		6		1 pcs	
	As following table Choose a basket,	7		1 pcs	
2		As following table	8		ST4 x 16 30 pcs
3		1 pcs	9		ST 5 x 20 6 pcs
4		2 pcs	10		ST4 x 40 2 pcs
5		1 pcs			

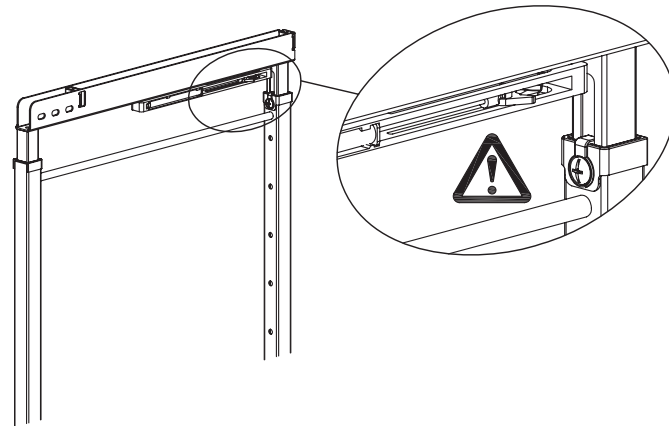
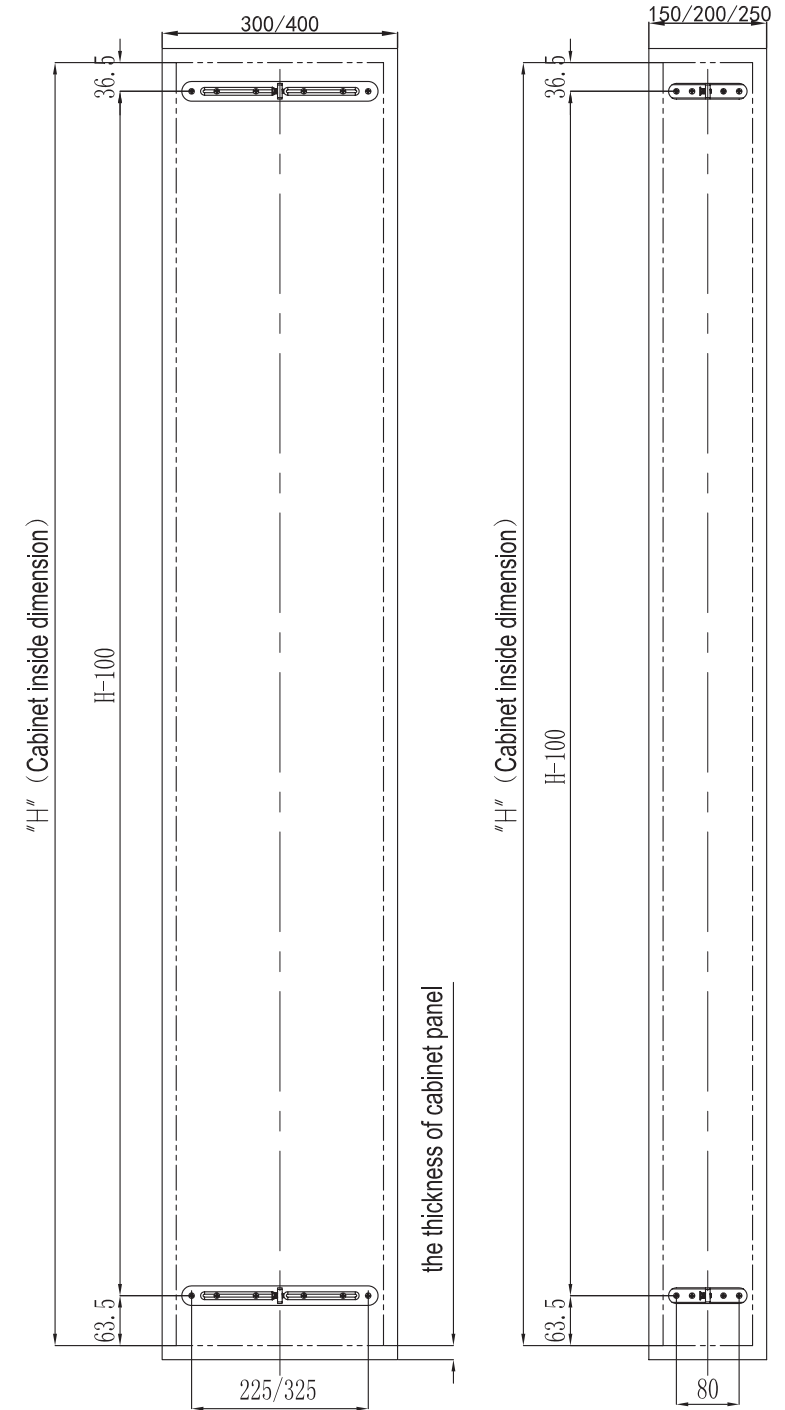
Type	Size(DxWxH)	Cabinet Width		
4layers	100x490x(1270-1570)mm	150mm	4 pcs	8 pcs
	145x490x(1270-1570)mm	200mm	4 pcs	8 pcs
	245x490x(1270-1570)mm	300mm	4 pcs	8 pcs
	345x490x(1270-1570)mm	400mm	4 pcs	8 pcs
5layers	100x490x(1650-1970)mm	150mm	5 pcs	10 pcs
	145x490x(1650-1970)mm	200mm	5 pcs	10 pcs
	245x490x(1650-1970)mm	300mm	5 pcs	10 pcs
	345x490x(1650-1970)mm	400mm	5 pcs	10 pcs
6layers	100x490x(1970-2270)mm	150mm	6 pcs	12 pcs
	145x490x(1970-2270)mm	200mm	6 pcs	12 pcs
	245x490x(1970-2270)mm	300mm	6 pcs	12 pcs
	345x490x(1970-2270)mm	400mm	6 pcs	12 pcs



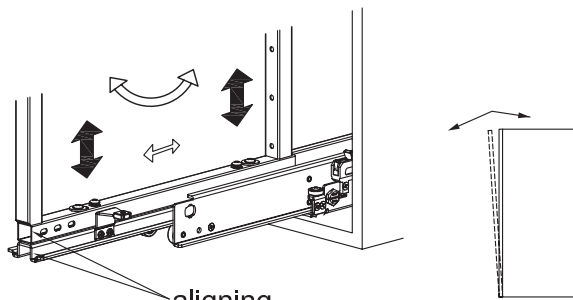
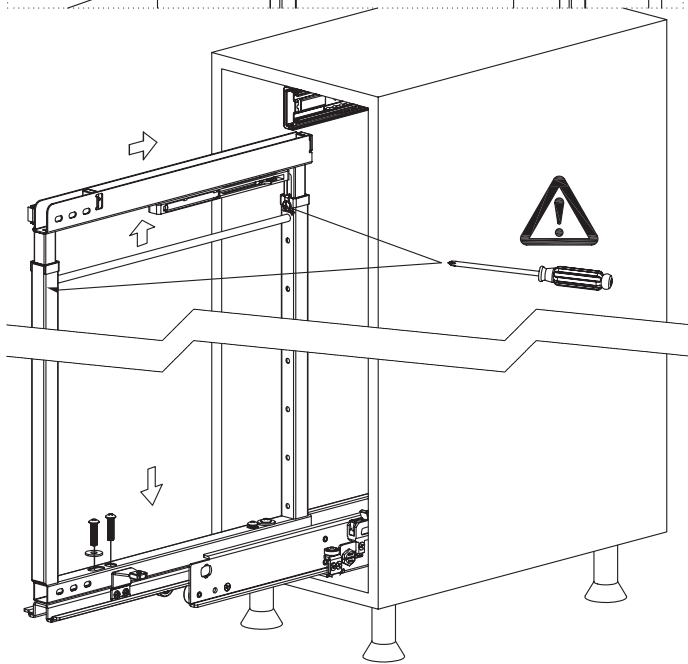
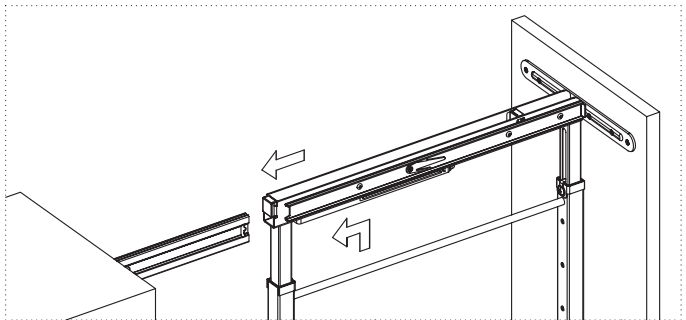
1. Secure top and rear slide.



2. Secure using front and rear fixing holes with screws.(Note:the actual size should be based on the thickness of side panel and inner size of cabinet.)



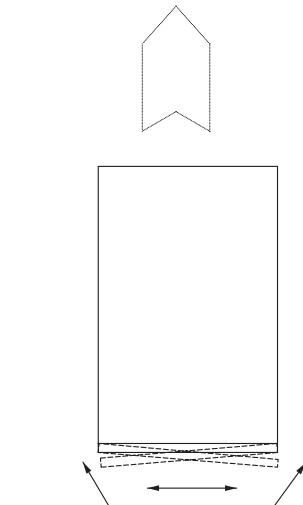
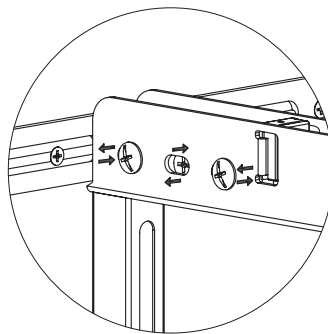
3. Attaching main frame to bottom and top slides.



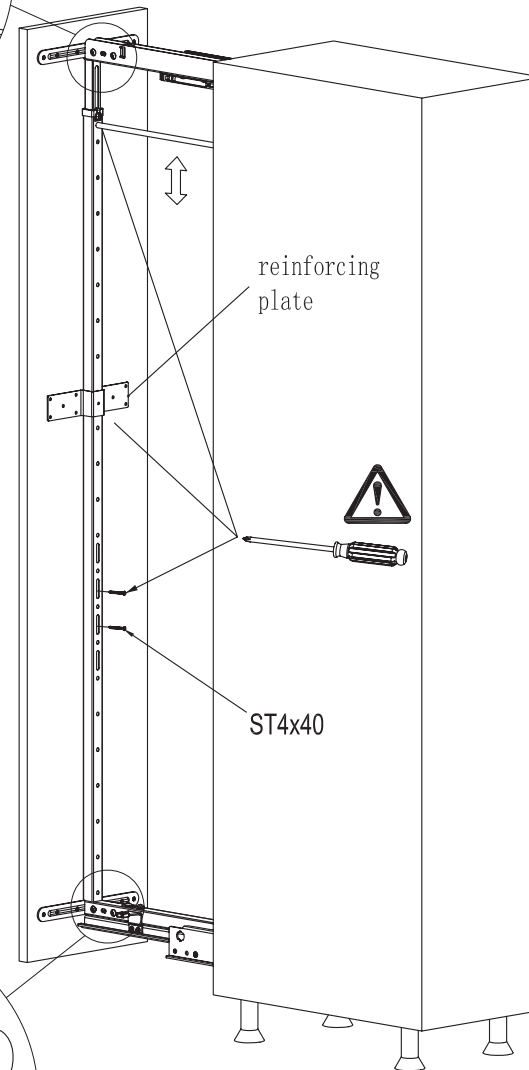
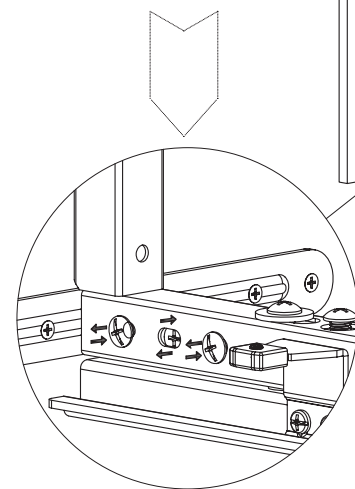
aligning

※ Adjusting closure pitch of cabinet door

4. Attaching the front to main frame, putting the correct location to install the reinforcing plate on cabinet door.



※ Adjusting closure pitch of cabinet door



5. Hang the basket onto the main assembly inside the larder. Please refer to the picture. Made Perfect adjustment and then tighten the Adjustment screw.

