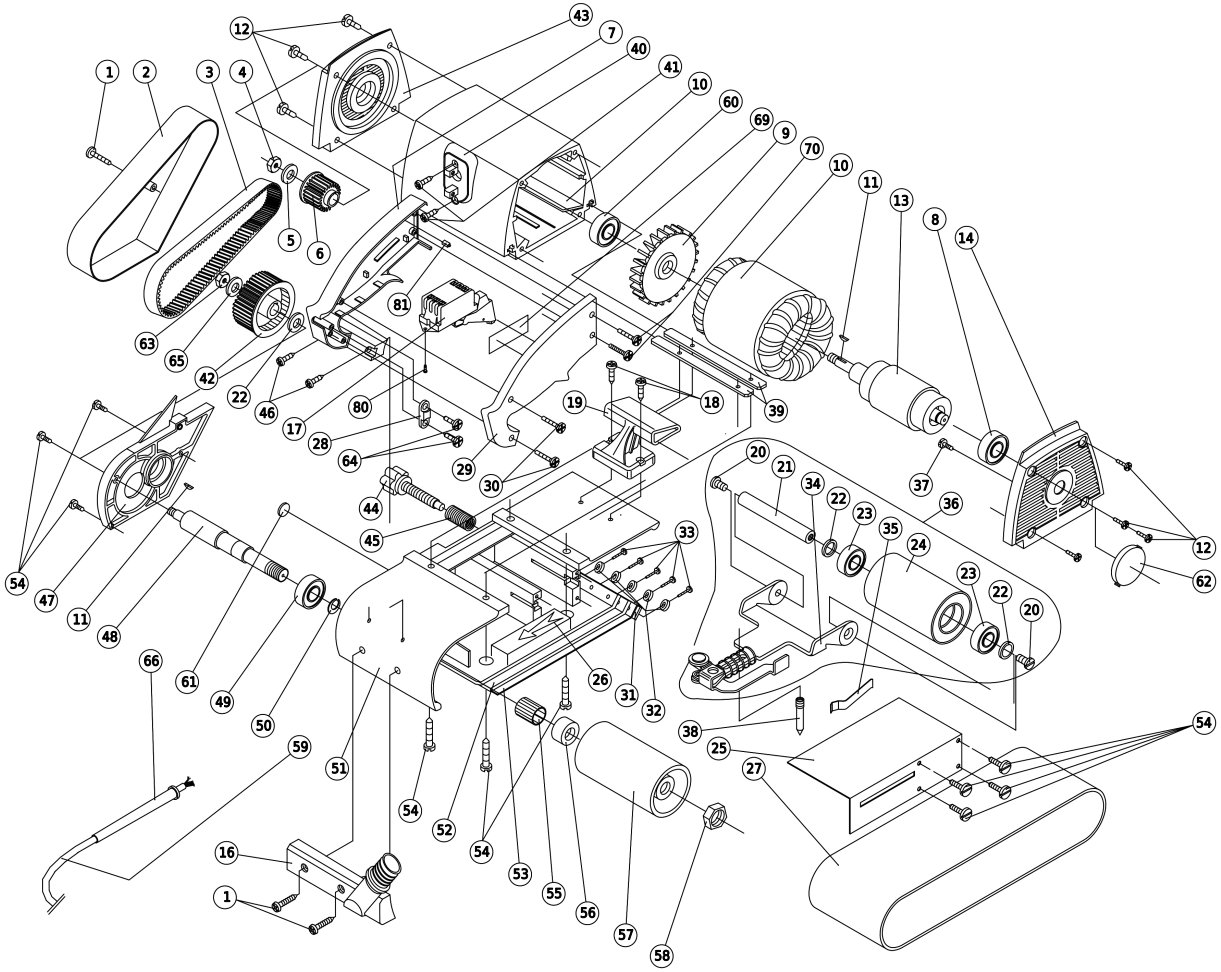




Technical information
Explosion drawing and parts list

AF11 (7100000) 3-PHASE SANDER AF11 | Version C (From serial number 19084)





Technical information
Explosion drawing and parts list

AF11 (7100000) 3-PHASE SANDER AF11 | Version C (From serial number 19084)

Pos.	Serial No.	Code	Description	Quantity
1		3178017	SCREW M.5X25 PH.	3
2		7146175	COVER	1
3		4087028	BELT	1
4		1185003	HEX. NUT M.8	1
5		2381002	TOOTHED WASHER D.8.2	1
6		4087022	PULLEY	1
7		4003094	HANDLE	1
8		3010004	BALL BEARING 6200 LLB	1
9		4064004	FAN	1
10		4145009	MOTOR HOUSING 220/380 V. 60 Hz.	1
10		4145047	MOTOR HOUSING 220/380 V. 50 Hz.	1
11		4089016	WOODRUFF KEY 5X13X3	2
12		7278006	SCREW M.5X20 PH.	8
13		7151016	ARMATURE ASS'Y 220 V. 50/60 Hz.	1
14		4007021	COVER	1
16		4103031	NOZZLE	1
17		4015017	SWITCH	1
18		8678009	SCREW M.4X15 PH.	2
19		3002020	HANDLE KNOB	1
20		3173027	PAN HD SCREW M.6X10	2
21		3020017	SHAFT	1
22		3024079	SPACER	3
23		4010005	BALL BEARING 6001 2RS	2
24		3001086	IDLE ROLLER	1
25		3123215	BELT TIGHTENER COVER	1
26		3119135	LABEL	1
27		4491007	PACK 10 SANDING BELTS GR50	1
28		4302025	CORD CLAMP	1
29		4103032	HANDLE COVER	1
30		1170028	PAN HD. TAPPING SCREW 8X3/4 PH.BZ.	3
31		3023045	CLAMP BAR	1
32		3022064	SPACER	5
33		1370002	PAN HD. TAPPING SCREW 6X3/8 PH.BZ.	5
34		4000069	FORK ASS'Y	1
35		3024046	LEAF SPRING	1
36		4000070	FORK ASS'Y WITH ROLLER	1
37		2070004	PAN HD. TAPPING SCREW 6X1/4 PH.BZ	1
38		3022090	SLOTTED SET SCREW	1
39		4033058	HOUSING HOLDER	2
40		4003069	HANDLE BASE	1
41		6478002	SCREW M.4X12 PH.	2
42		4087023	PULLEY	1
43		4007020	MOTOR COVER	1
44		3025026	REGULATING KNOB	1
45		3026021	SPRING	1
46		3178016	SCREW M.5X15 PH.	2
47		4001076	COVER	1
48		4020021	SHAFT	1



Technical information
Explosion drawing and parts list

AF11 (7100000) 3-PHASE SANDER AF11 | Version C (From serial number 19084)

49	1210001	BALL BEARING 6202 LLB	1
50	1288012	RETAINING RING	1
51	3001075	BODY ASS'Y	1
52	4024051	SHOE CUSHION	1
53	4023051	SHOE PLATE	1
54	7178003	SCREW M.5X12 PH.	11
55	3011002	NEADLE BEARING HK 1412	1
56	3024083	WASHER	1
57	3004012	DRIVING ROLLER	1
58	4021027	HEX. NUT M.12 (LEFT)	1
59	7146065	CORD ASS'Y	1
60	4510013	BALL BEARING 6200-2RS	1
61	4024078	CAP	1
62	3002089	END CAP	1
63	4085015	HEX. NUT M.8 (LEFT)	1
64	1970001	PAN HD. TAPPING SCREW 8X1/2 PH.B.	2
65	2023020	SPRING WASHER	1
66	8002043	CORD ARMOR	1
69	4016021	WARNING LABEL	1
70	7170024	SCREW 8X1 PH.B.	2
80	1372016	PAN HD. SCREW M.4X6 PH.	1
81	7168188	TERMINAL	1