

TECHNICAL INFORMATION

For:



Quadro Under-Mount Drawer Runners

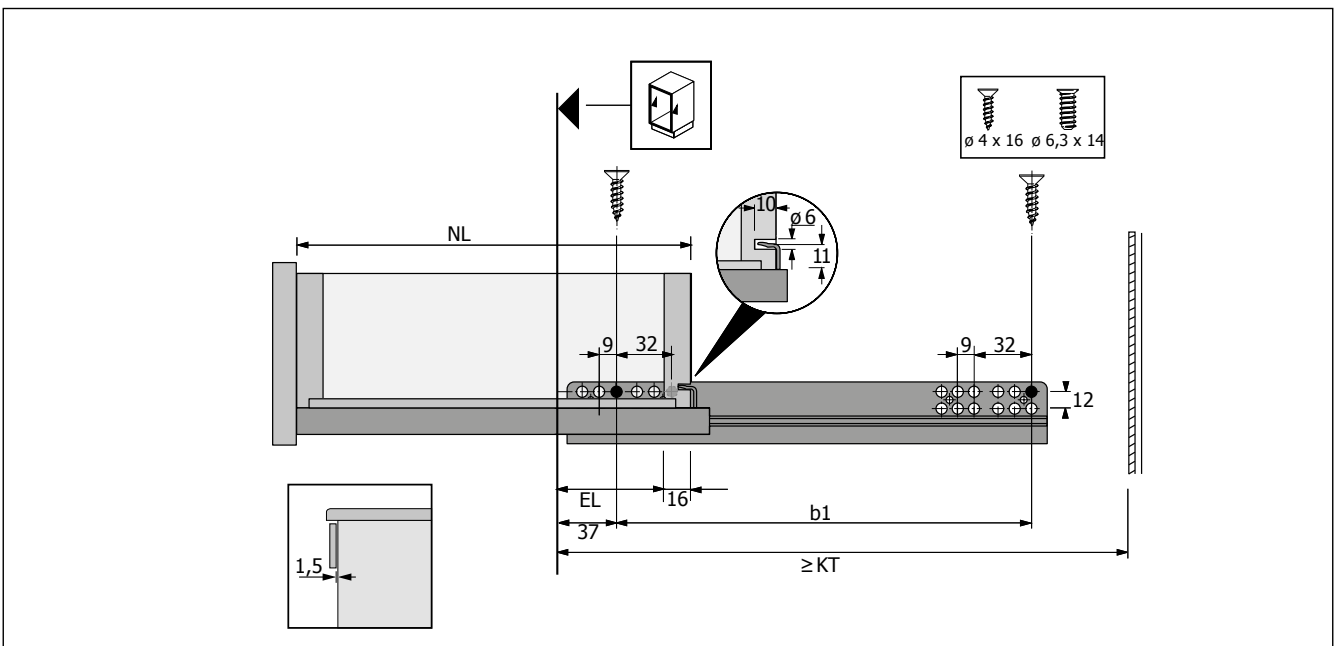
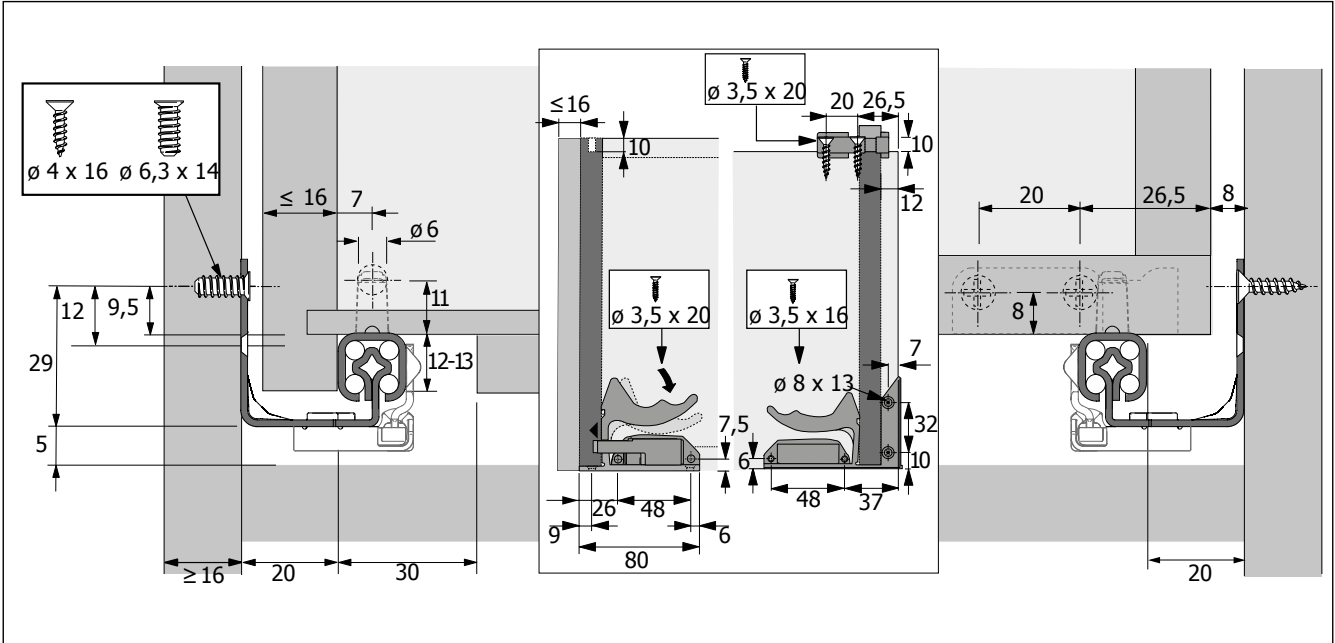
FOR WOODEN DRAWERS

Contents:

- Dimensions for Quadro 25 systems 2
- Dimensions for Quadro V6 systems 3
- Dimensions for Quadro V6 4D systems 4

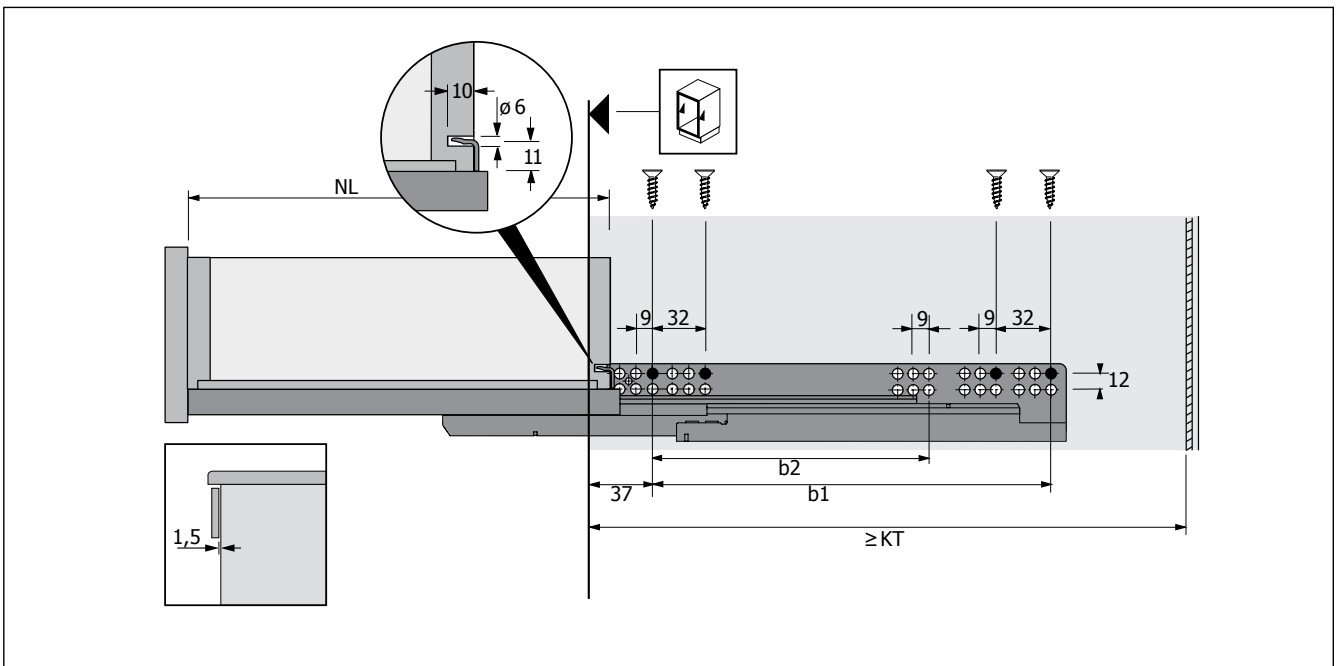
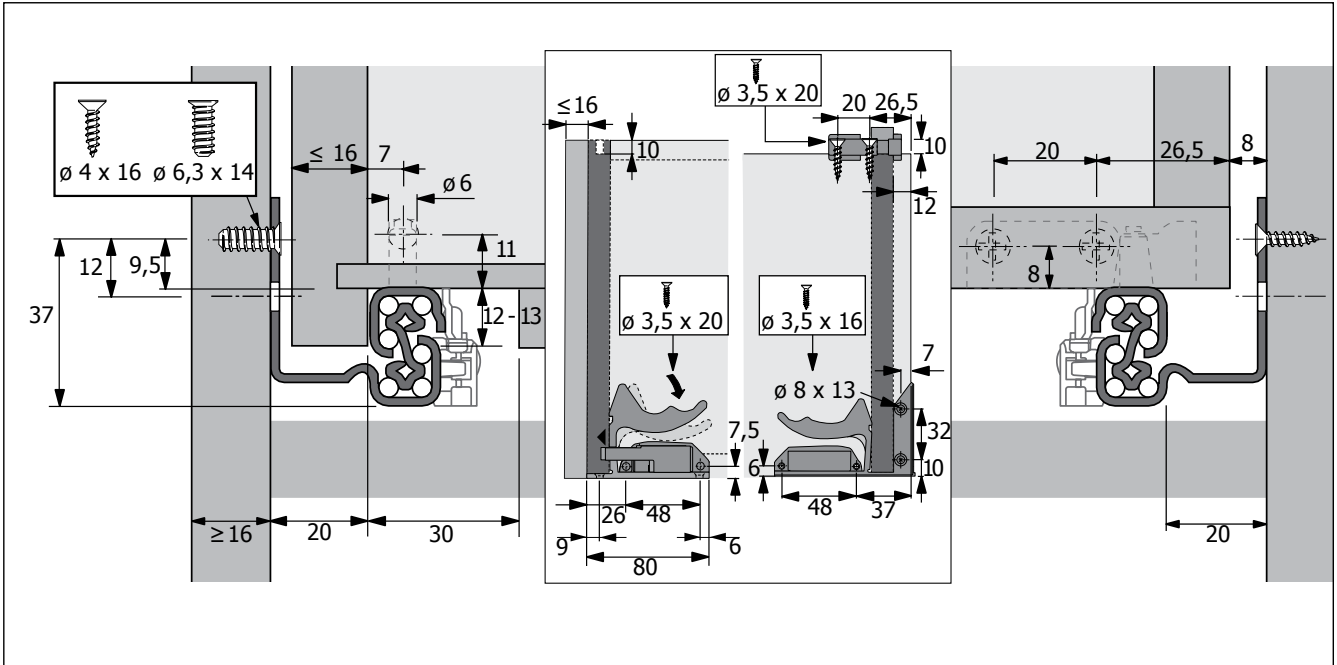
Dimensions

Quadro 25 System



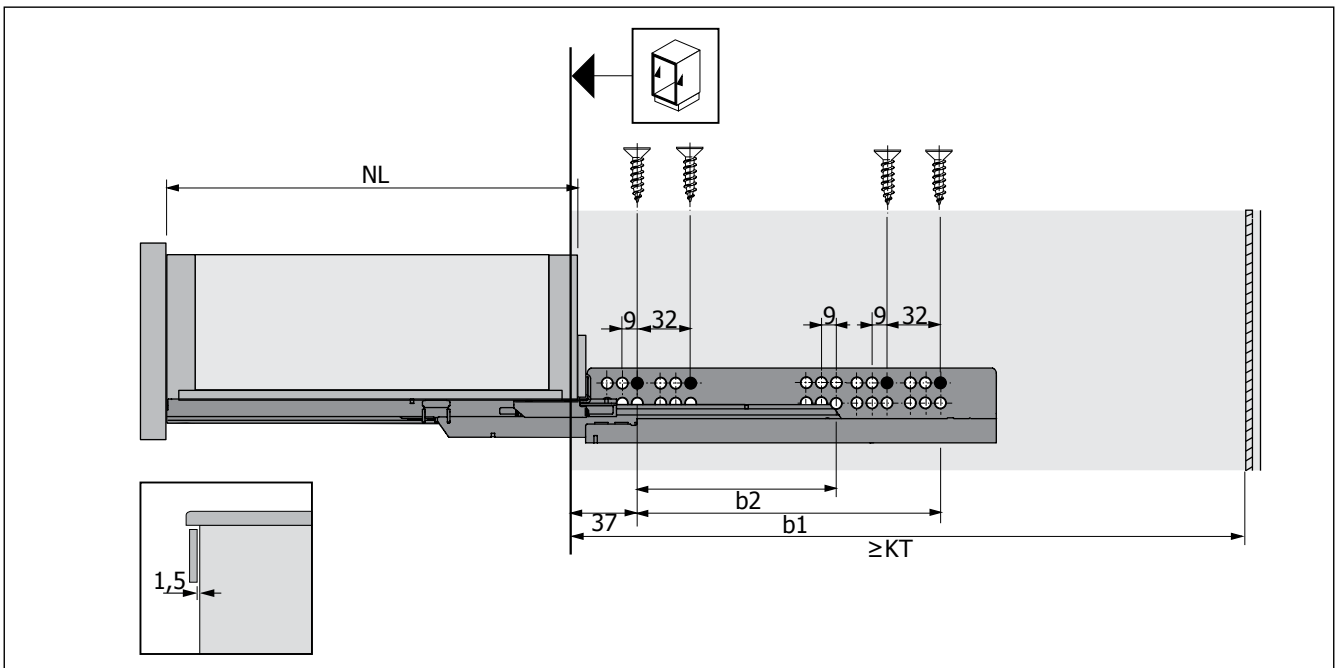
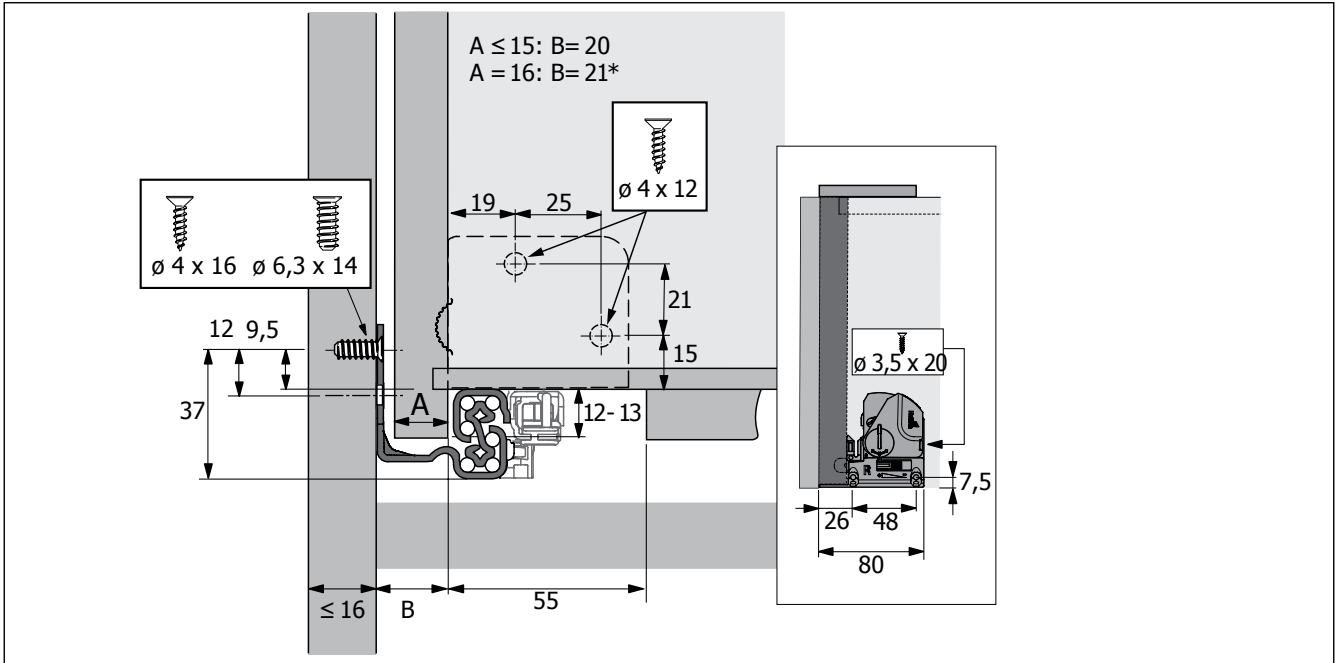
Dimensions

Quadro V6 System



Dimensions

Quadro V6 4D System





MACHINERY - MATERIALS - COMPONENTS - ADHESIVES - FOILS - PANELS - DOORS

NEY Ltd (Head Office)

Stonebridge Trading Estate
Sibree Road
Coventry
CV3 4FD

t 024 7630 8100
f 024 7630 8101
e sales@ney.co.uk

NEY Ireland

Unit 22 Blaris Ind Estate
Altona Road
Lisburn
BT27 5QB

t 028 92 673 000
f 028 92 672 999
e ireland@ney.co.uk

NEY Scotland

Block 2 Units 1-2-3
Bandeath Ind Est
Throsk, Stirling
FK7 7NP

t 01786 814 814
f 01786 814 812
e scotland@ney.co.uk