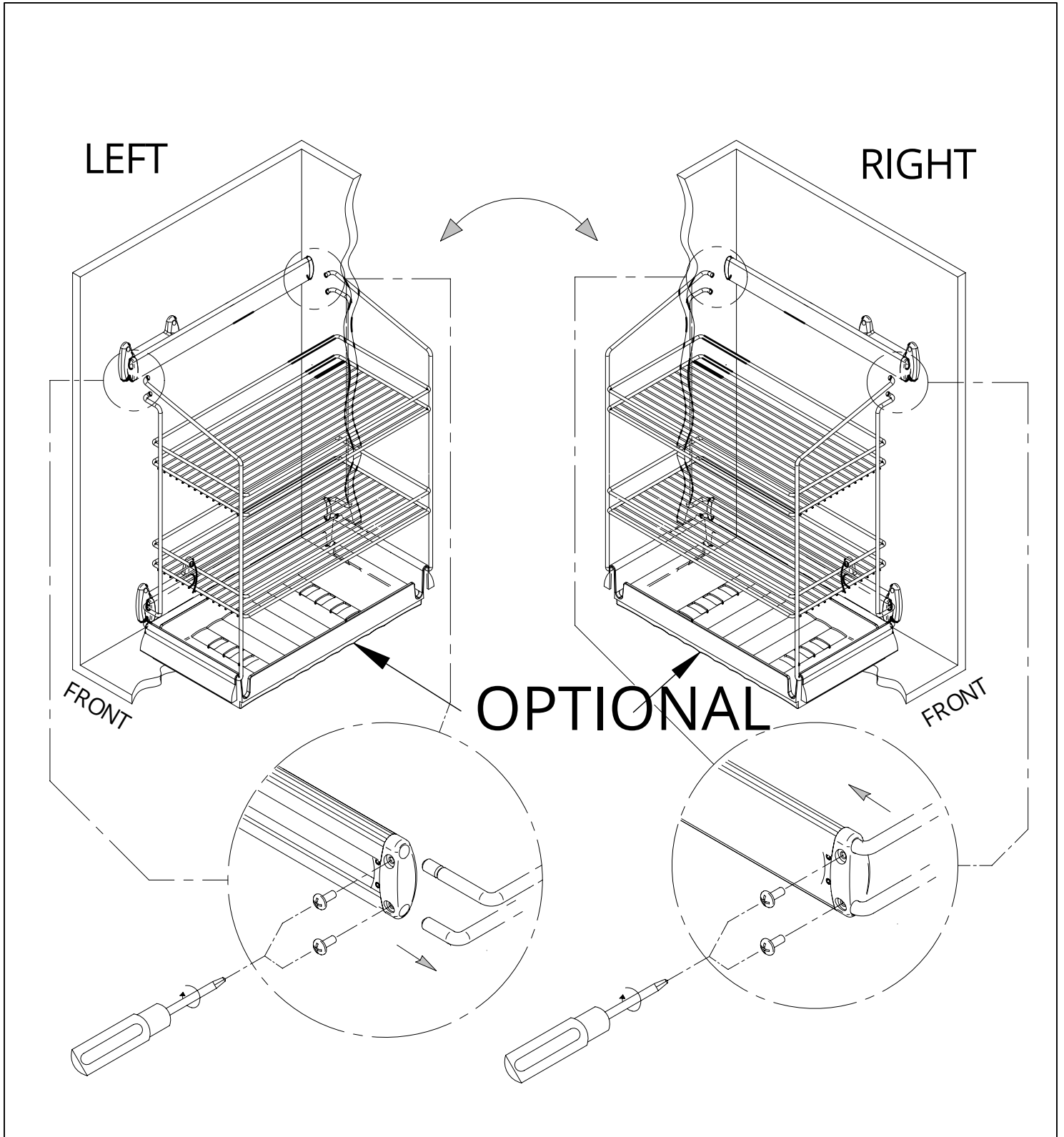


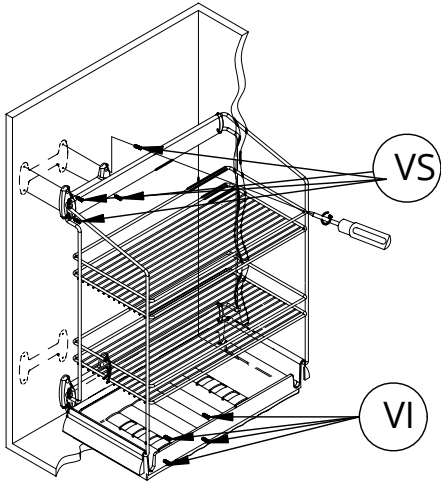


# Assembly Instructions for Eco Multiple Tier Basket Pull-Outs



**OPTIONAL:** Translucent Trays can be attached to the bottom of the Multiple Tier Basket Pull-Outs as shown in the diagram above.

598mm 262474



789mm 262473

